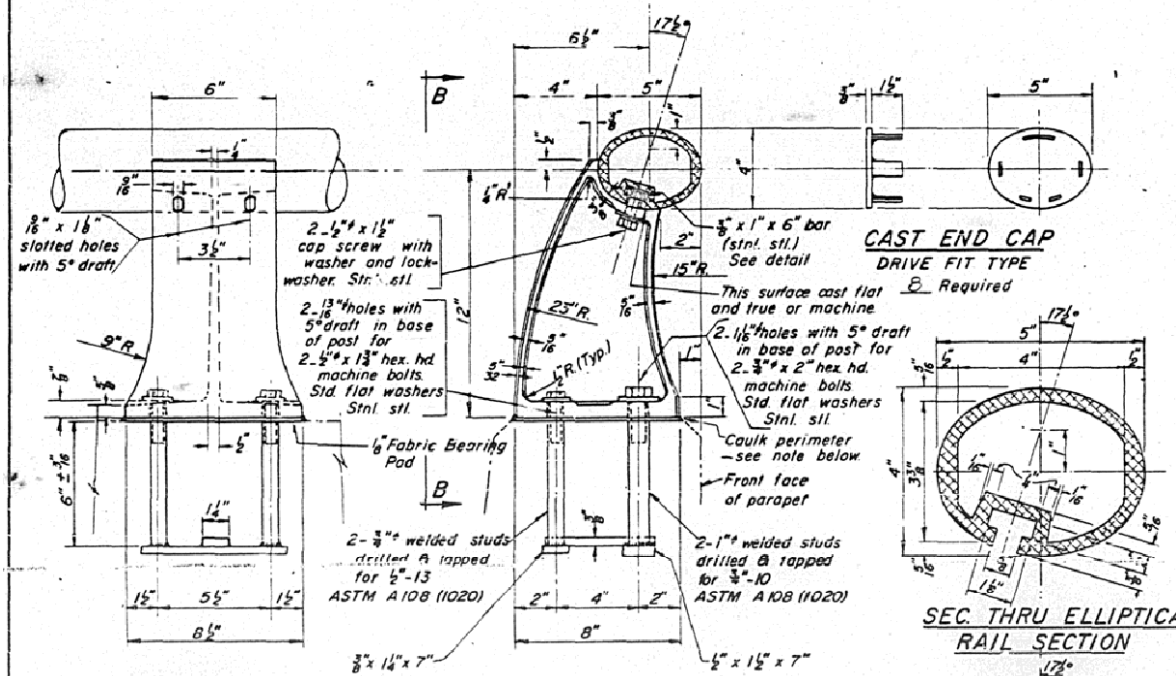


AS-BUILT PLANS FOR INFORMATION ONLY

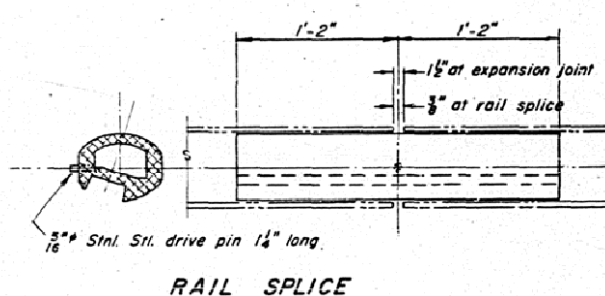
STATE OF ILLINOIS
DEPARTMENT OF PUBLIC WORKS & BUILDINGS
DIVISION OF HIGHWAYS

SHEET NO.	SECTION	COUNT	TOTAL SHEETS	SHEET NO.	SHEET NO.
57	RTE 57	Douglas	46	252	17 SHEETS
SHEET NO. 60					

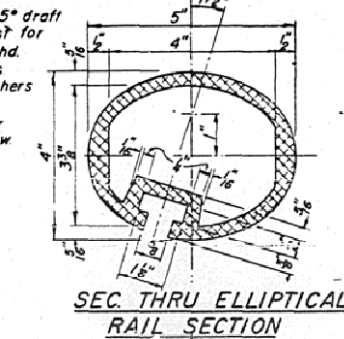
SEE SHEET #6 FOR PARAPET ELEVATION



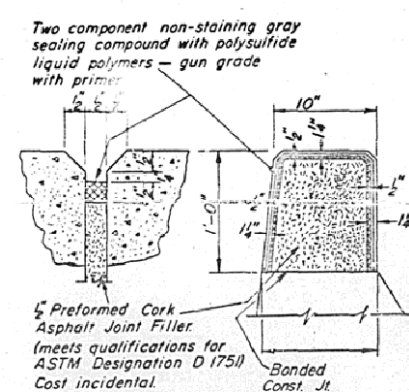
VIEW B-B
RAIL POST DETAILS



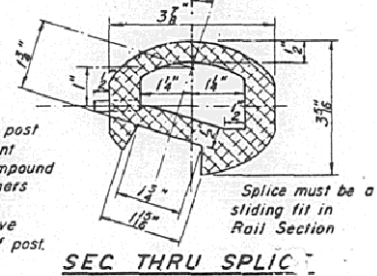
RAIL SPLICE



SEC THRU ELLIPTICAL RAIL SECTION



PARAPET JOINT DETAIL



SEC THRU SPLICE

NOTES:

- All Posts shall be normal to parapet.
- All Aluminum Alloy Extruded Rail shall conform to ASTM specification B-221 alloy 6061-T6 and shall be supplied in modular lengths of 30 feet, except at the end of bridge or over open joints in bridge deck where the rail shall be attached to a minimum of 2 posts. If the rail is on a horizontal curve of 2300 foot radius or less, the modular lengths may be reduced but shall be attached to a minimum of 2 posts.
- All joints in rail shall be spliced per detail.
- See Special Provisions for following Material Specifications:
Cast Aluminum Alloy Bridge Post—Alloy A344-T4
Stainless Steel Bars, Cap Screws, Washers and Lockwashers
Fabric Bearing Pad.
- METHOD of MEASUREMENT:** Aluminum handrail shall be measured in lineal feet. The length paid for shall be the over all length along the top longitudinal railing member thru all posts and gaps.
- BASIS of PAYMENT:** Aluminum handrail shall be paid for at the contract unit price per lineal foot for ALUMINUM HANDRAIL, measured as specified, which price shall be payment in full for all materials, fabrication, transportation, and erection.
- Cost of rail splice, end caps, and hardware to be incidental to item ALUMINUM HANDRAIL.
- Provide 1- 1/2" and 2- 1/2" Aluminum Shims for 25% of the Posts. Rail element shall be parallel to Grade—high spots shall be ground, and low spots shimmed.

**PARAPETS & RAILS
BILL OF MATERIAL**

Bar	No.	Size	Length	Shape
e		#5		
e1		#5		
e2		#5		
e3		#5		
e4		#5		
Class X Concrete Cu Yds. Reinforcement Bars Lbs. Aluminum Handrail Lin. Ft.				

ALUMINUM HANDRAIL
F.A.I. RT. 57 SEC. 21-28B
DOUGLAS COUNTY
STA. 562+00

DESIGNED	EXAMINED	19	
CHECKED	PASSED		
DRAWN Wm M. Best	APPROVED		
CHECKED			

Note:
Seal perimeter of base of post to parapet with two component non-staining gray sealing compound with polysulfide liquid polymers—gun grade with primer. Fabric Bearing Pad shall have same dimensions as base of post.

R-17 1-18-68

FILE NAME =	USER NAME = shererjm	DESIGNED - GMS	REVISED -
ca:\pw\work\PWIDOT\SHERERJM\d0134546\d0251-shr-structures.dgn		DRAWN - GMS	REVISED -
PLOT SCALE = 40.0001' / IN.		CHECKED -	REVISED -
PLOT DATE = 12/9/2009		DATE -	REVISED -

**STATE OF ILLINOIS
DEPARTMENT OF TRANSPORTATION**

**AS-BUILT PLANS
FOR INFORMATION ONLY**

SCALE: SHEET NO. 16 OF 18 SHEETS STA. TO STA.

F.A.I. RTE.	SECTION	COUNTY	TOTAL SHEETS	SHEET NO.
57	(21-28,21-10-29,10-30)RS-1		115	102
CONTRACT NO. 70251			ILLINOIS FED. AID PROJECT	

* CHAMPAIGN & DOUGLAS