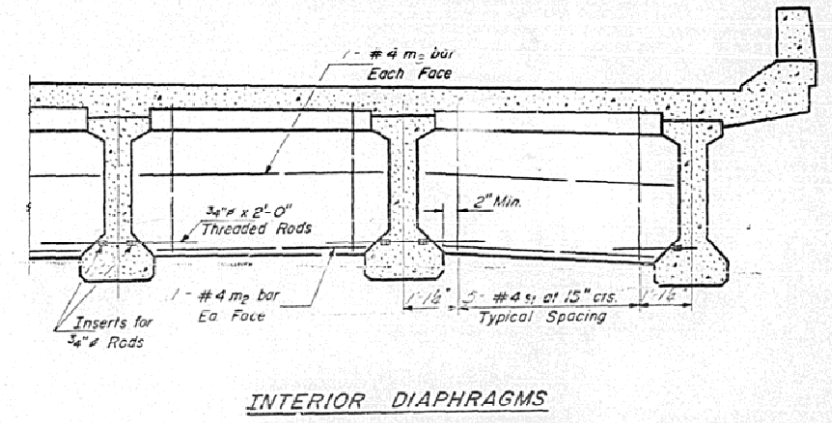
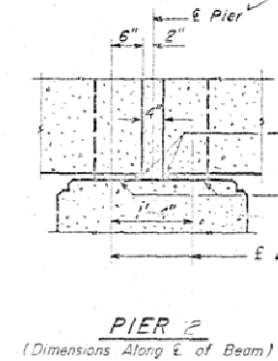
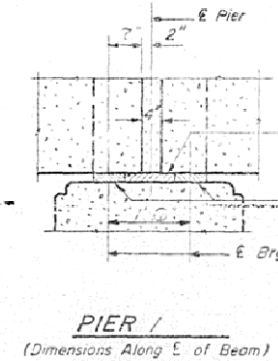
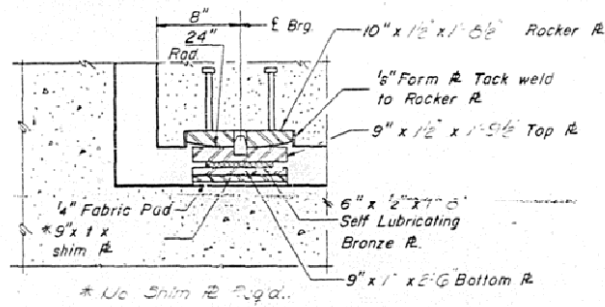
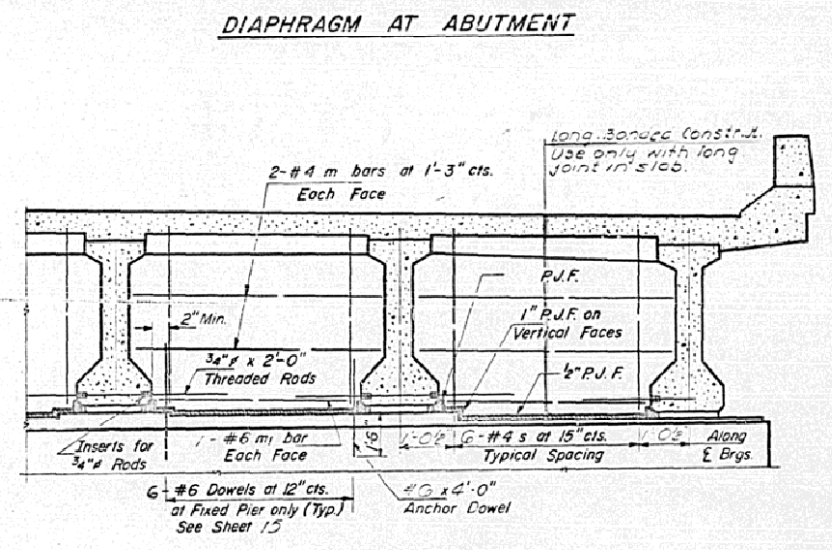
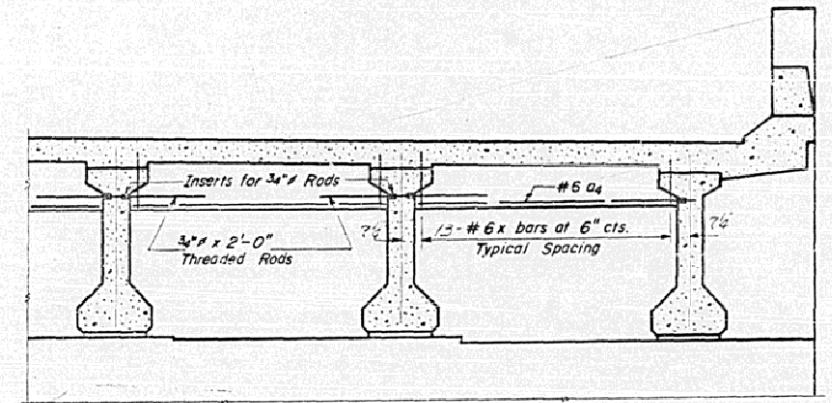
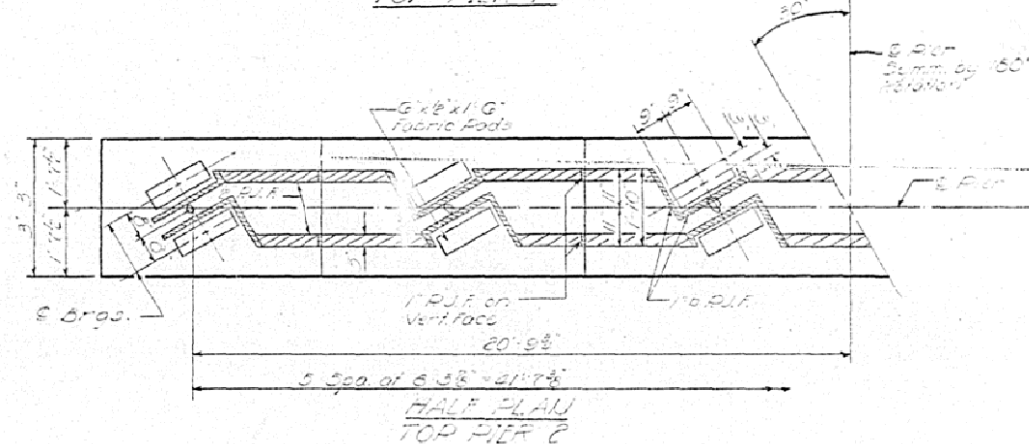
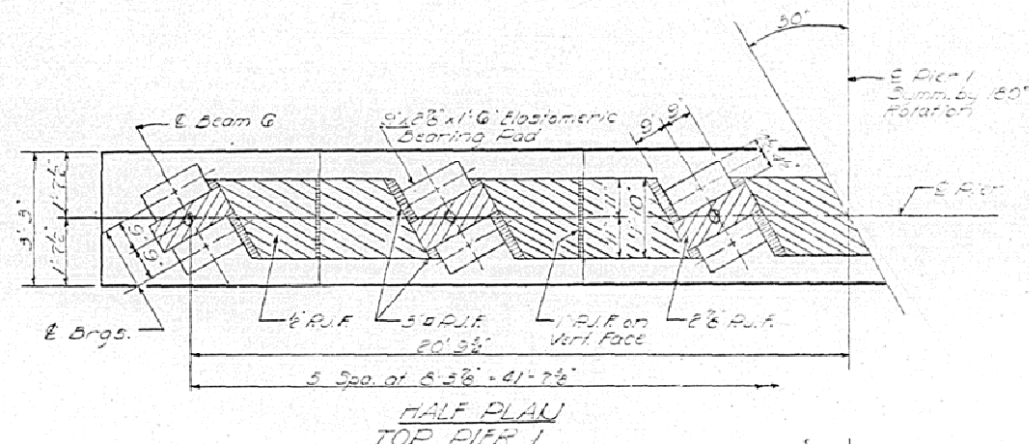
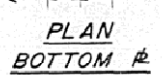
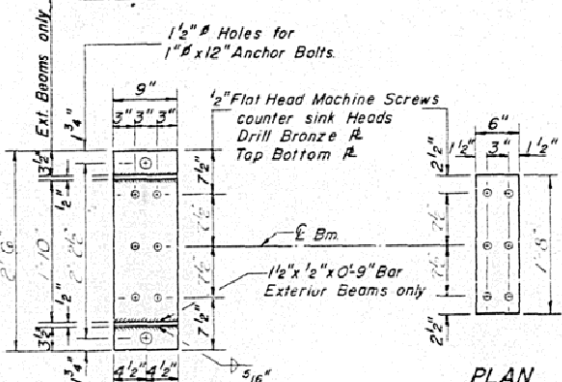
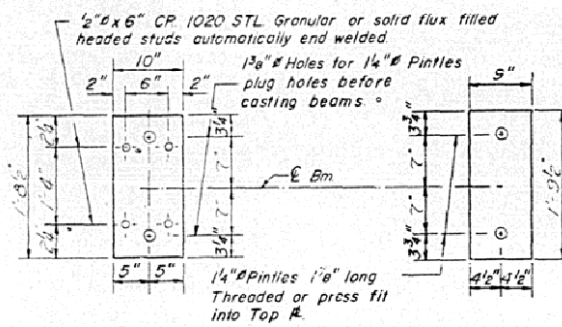
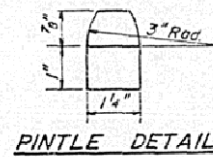
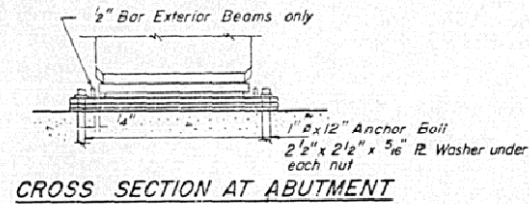


# AS-BUILT PLANS FOR INFORMATION ONLY

STATE OF ILLINOIS  
DEPARTMENT OF PUBLIC WORKS & BUILDINGS  
DIVISION OF HIGHWAYS

ROUTE NO.	SECTION	COUNTY	TOTAL SHEETS	SHEET NO.	SHEET NO.
57	YB&B	DOUGLAS	46	28	17 SHEETS



DESIGNED: <i>James H. Force</i>	EXAMINED: <i>[Signature]</i>
CHECKED: <i>S.F.A.</i>	PASSED: <i>[Signature]</i>
DRAWN: <i>T.B. Fuller</i>	APPROVED: <i>[Signature]</i>
CHECKED: <i>S.F.A.</i>	

PI-3    8-1-63 Rev. 1-2-64 Rev. 1-27-66

Note:  
Weight of Armor Angles and Studs; Top Plates, Bottom Plates, Bronze Plates and Shim Plates of Bearing Assemblies is included in the weight of Structural Steel on Sheet 3.  
Cost of Rocker R cast into beam is included in the cost of "Furnishing and Erecting Precast Prestressed Concrete I-Beams."

BEARING DETAILS  
FAI RT 57-5FC 21-28B  
DOUGLAS COUNTY  
STA 562+00  
Rev. by R. G. 3/18/14