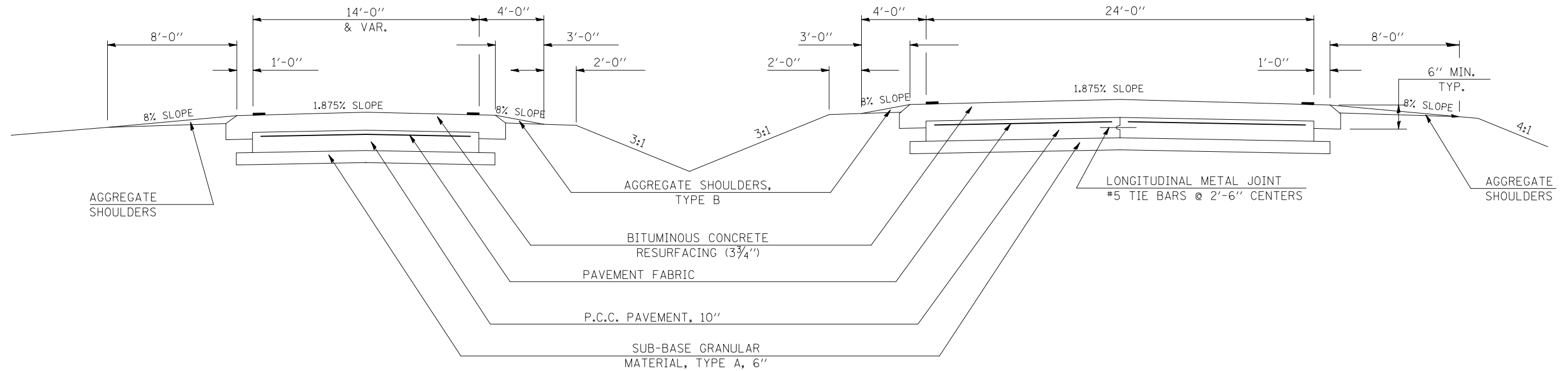


EXISTING TYPICAL CROSS SECTION

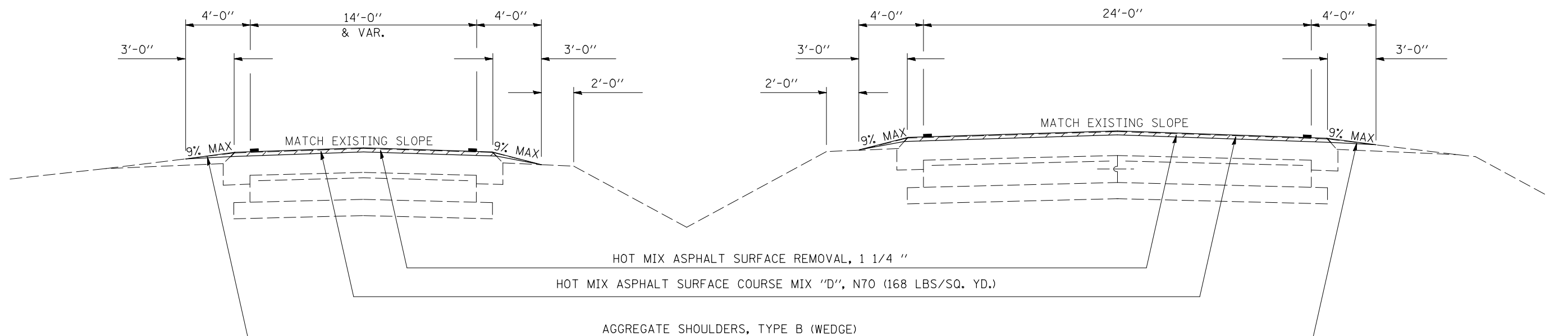
STATION TO STATION
 416+99 417+92
 418+47 423+48



8 PROPOSED TYPICAL CROSS SECTION

STATION TO STATION
 ⑥ 416+99 417+92 ⑨
 ⑨ * 418+47 423+48 ⑩

* NOTE:
 FROM RT. STATION 418+47 TO RT. STATION 423+48,
 SEE PROPOSED TYPICAL CROSS SECTION # 10



*FAU 7052 / FAP 729

FILE NAME =	USER NAME = bucklesjj	DESIGNED - RLA	REVISED -
ct:\pwork\pwidot\BUCKLESJJ\d0132727\0970315-sht-typ10a1.dgn		DRAWN - RLA	REVISED -
PLOT SCALE = 40.0000' / IN.		CHECKED - JMS	REVISED -
PLOT DATE = 12/7/2009		DATE - 7/2/2009	REVISED -

STATE OF ILLINOIS
 DEPARTMENT OF TRANSPORTATION

EXISTING & PROPOSED TYPICAL
 CROSS-SECTIONS

SCALE: SHEET NO. 8 OF 19 SHEETS STA. TO STA.

F.A. RTE.	SECTION	COUNTY	TOTAL SHEETS	SHEET NO.
*	(36X,36X-1,34Z-3)RS-1	VERMILION	58	15
CONTRACT NO. 70315				
ILLINOIS FED. AID PROJECT				