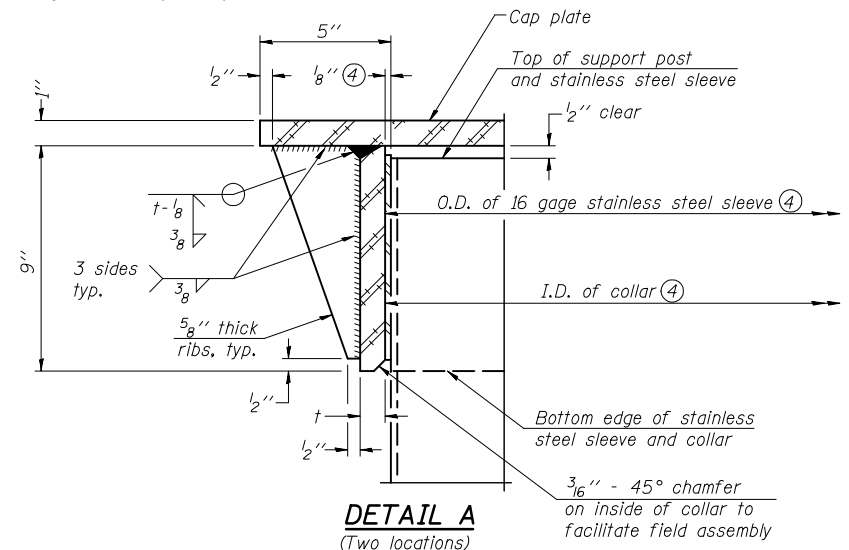


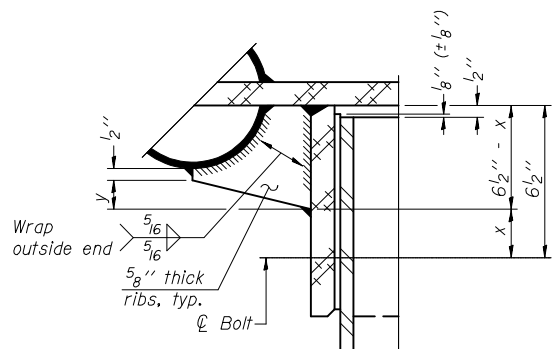
④ Collar I.D. shall be manufactured to correspond to O.D. of actual galvanized post and stainless steel sleeve plus 1/8 inch (±1/16 inch). Maximum gap between post and collar at any location equals 1/8 inch before tightening bolts.

SECTION B-B

Bolts, washers (including contoured washers), and locknuts shall be stainless steel.

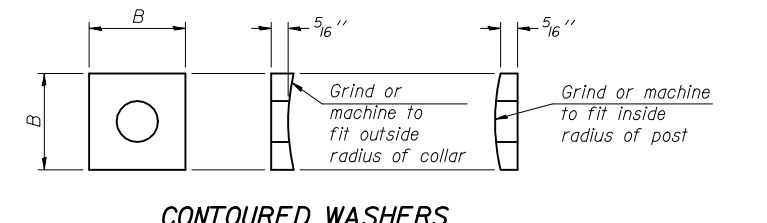


DETAIL A
(Two locations)



DETAIL B

Two locations (For details not shown, see Detail C)



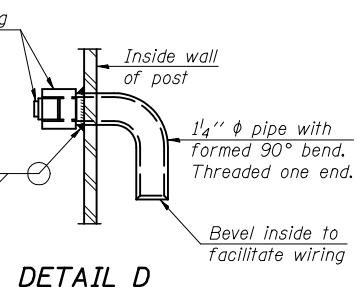
CONTOURED WASHERS

Bolt Size	Contoured Washers	
	Hole Dia.	B
7/8"	1"	2 1/2"
1"	1 1/8"	3"
1 1/4"	1 3/8"	3 1/4"

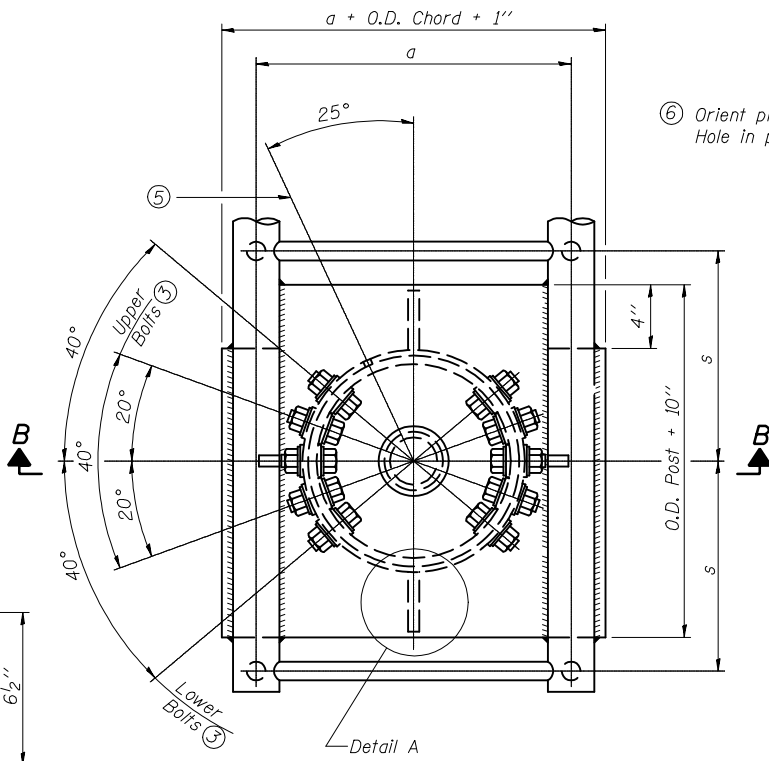
DETAIL OF STAINLESS STEEL SLEEVE

Weld to post after galvanizing. (Prepare post surface to insure tight, uniform fit and allow welding.) Welds to be 1/2 inch long at 6 inch cts. along top edge and at 1/4 inch opening.

NUMBER	REVISION	DATE

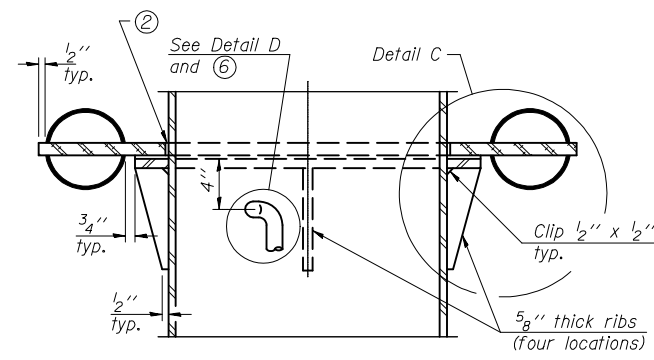


DETAIL D

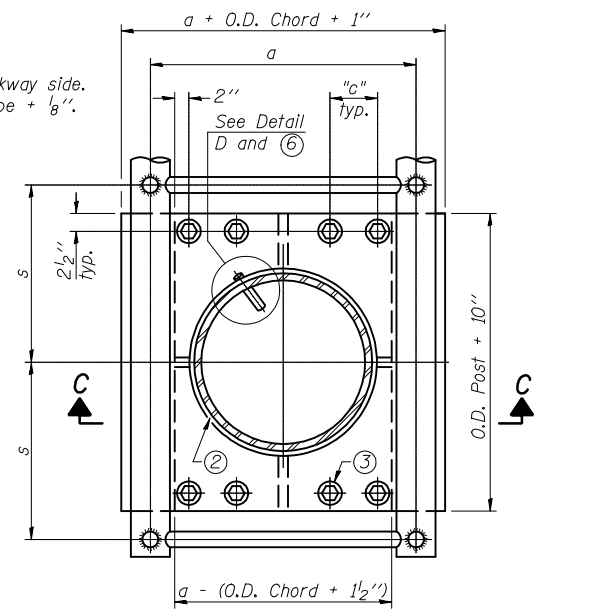


PLAN VIEW - TOP OF COLUMN

⑤ Optional full penetration weld in collar. (Two locations maximum....180° apart....X-ray or UT 100%)

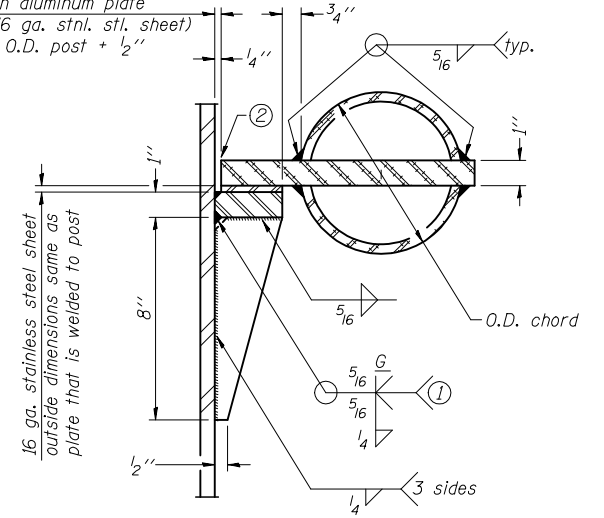


SECTION C-C



SECTION THRU POST ABOVE LOWER CHORDS

Hole in aluminum plate (and 16 ga. stnl. stl. sheet) to be O.D. post + 1/2 inch



DETAIL C

- ① Grind top if required to fully seat aluminum plate and stainless steel sheet.
- ② After tightening lower connection bolts, fill gap with non-hardening, silicone caulk suitable for exterior exposure and acceptable to the Engineer. Cost is included in Overhead Sign Structure Cantilever.

Truss Type	Post Size	Upper & Lower Connection Bolt Diameter ③	Lower Juncture Bolt Spacing Dimension "c" ③	Opening in Cap Plate "HH"	Collar Thickness (t)	Side Ribs	
						x	y
I-C-A	16" φ (83#1/)	7/8"	3 1/4"	8"	5/8"	1 3/4"	2 1/4"
II-C-A	24" φ (125#1/)	1"	3 1/2"	12"	7/8"	2"	1 1/4"
III-C-A (35' max.)	24" φ (125#1/)	1 1/4"	3 1/2"	12"	7/8"	2"	1"
III-C-A (>35' to 40')	24" φ (171#1/)	1 1/4"	3 1/2"	12"	7/8"	2"	1"

③ Upper and lower connection bolts in collar and bolts at lower chord connection shall be high strength with matching locknuts. Connection bolts shall have 2 stainless steel flat washers each.

*FAU 7052 /FAP 729

OSC-A-3

12-1-08

FILE NAME =	USER NAME =	DESIGNED -	REVISED -
et:\pwork\pwork\BUCKLESJJ\d0132727.dwg	bucklesjj	-	-
		DRAWN -	REVISED -
		-	-
		CHECKED -	REVISED -
		-	-
		DATE -	REVISED -
		-	-

STATE OF ILLINOIS
DEPARTMENT OF TRANSPORTATION

CANTILEVER SIGN STRUCTURES JUNCTURE DETAILS
ALUMINUM TRUSS & STEEL POST

SCALE: SHEET NO. 1 OF 1 SHEETS STA. TO STA.

F.A. RTE.	SECTION	COUNTY	TOTAL SHEETS	SHEET NO.
	(36X,36X-1,342-3)RS-1	VERMILION	58	42
CONTRACT NO. 70315			ILLINOIS FED. AID PROJECT	