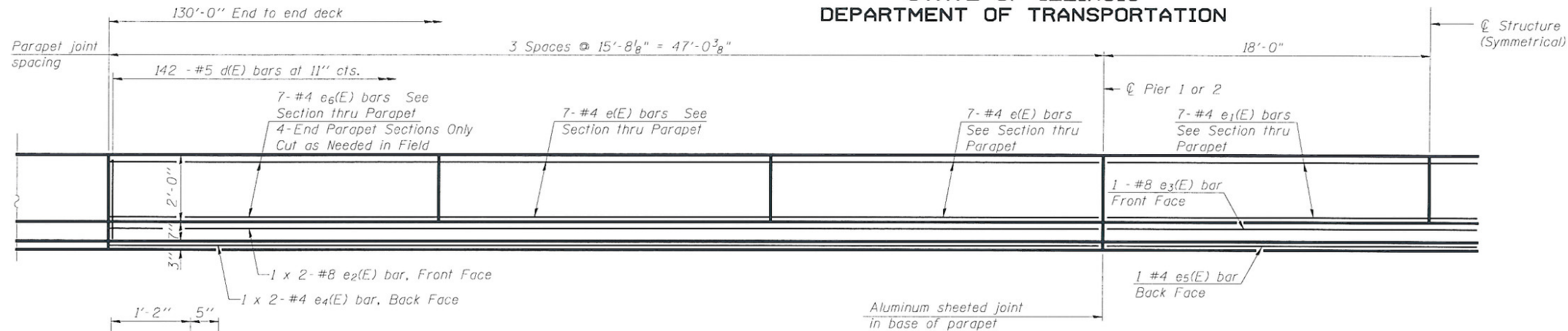
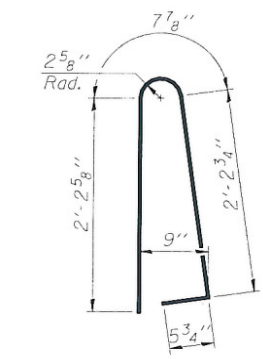


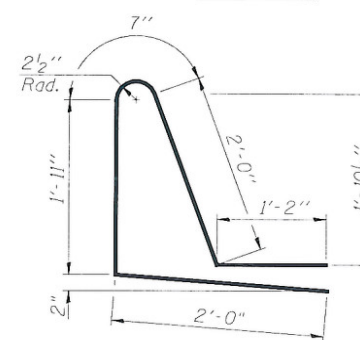
STATE OF ILLINOIS  
DEPARTMENT OF TRANSPORTATION



INSIDE ELEVATION OF PARAPET



BAR d(E)



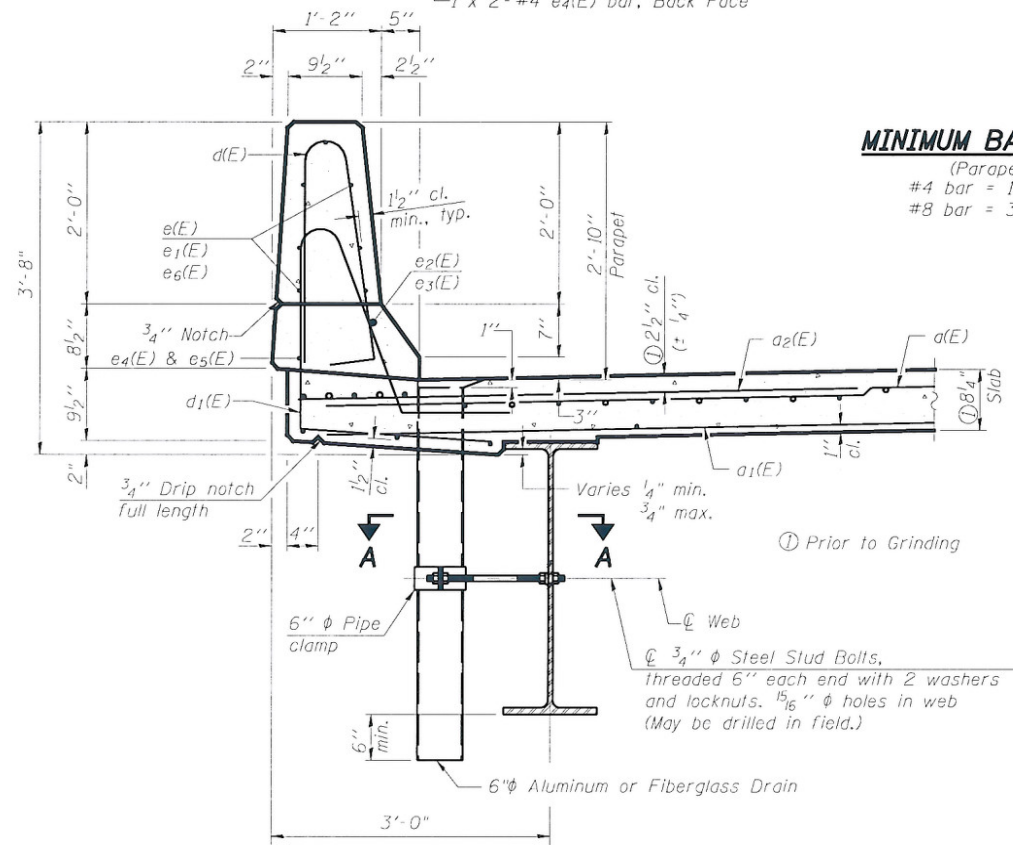
BAR d1(E)

**SUPERSTRUCTURE BILL OF MATERIAL**

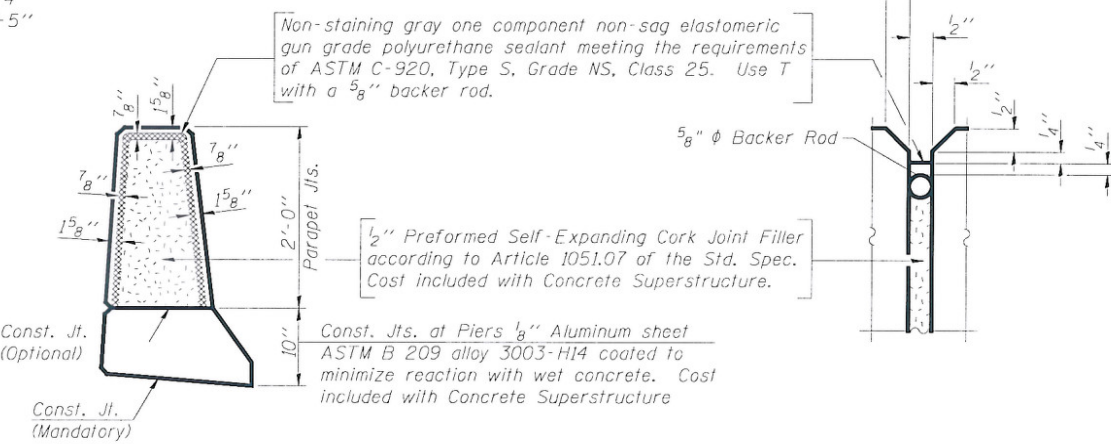
Bar	No.	Size	Length	Shape
a1(E)	448	#5	16'-11"	—
a2(E)	314	#5	16'-9"	—
a3(E)	448	#6	6'-0"	—
a4(E)	24	#5	9'-1"	—
a5(E)	4	#5	24'-1"	—
a6(E)	16	#5	24'-3"	—
a7(E)	6	#5	4'-7"	—
b(E)	190	#5	27'-8"	—
b1(E)	68	#6	31'-7"	—
b2(E)	192	#5	23'-5"	—
d(E)	284	#5	5'-7"	—
d1(E)	284	#5	7'-8"	—
e(E)	56	#4	15'-4"	—
e1(E)	28	#4	17'-8"	—
e2(E)	8	#8	26'-6"	—
e3(E)	2	#8	35'-8"	—
e4(E)	8	#4	24'-1"	—
e5(E)	2	#4	35'-8"	—
e6(E)	28	#4	16'-4"	—
x(E)	72	#5	6'-5"	—
x1(E)	72	#5	4'-1"	—
Reinforcement Bars, Epoxy Coated		Pound	38,410	
Concrete Superstructure		Cu. Yds.	152.1	

Bars indicated thus 1 x 2-#4 etc. indicates 1 line of bars with 2 lengths per line.

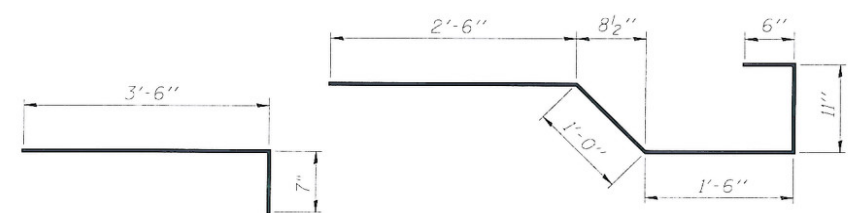
**SUPERSTRUCTURE DETAILS STRUCTURE NO.**



SECTION THRU PARAPET

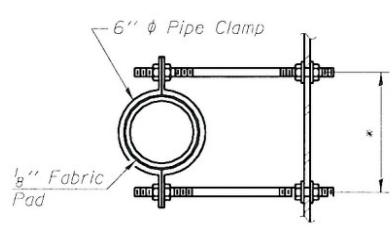


PARAPET JOINT DETAILS

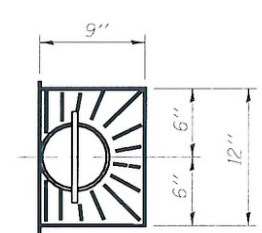


BAR x1(E)

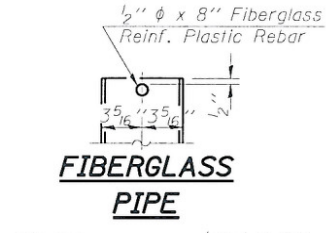
BAR x(E)



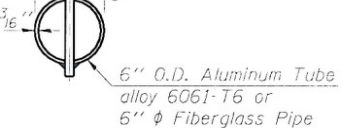
SECTION A-A



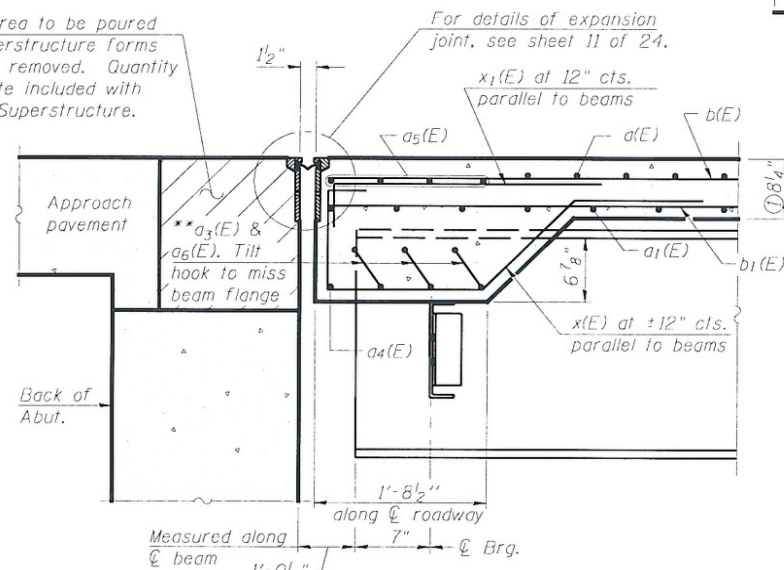
TOP PLAN



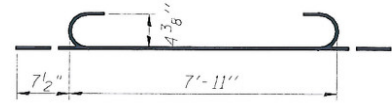
FIBERGLASS PIPE



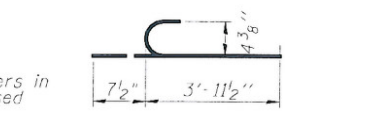
ALUMINUM TUBE



SECTION A-A



a3(E) BAR



a6(E) BAR

**SUPERSTRUCTURE DETAILS STRUCTURE NO. 010-0283**

DESIGNED	JLG
CHECKED	JSP
DRAWN	UJ
CHECKED	JLG



SHEET NO. 10 24 SHEETS	F.A.P. RTE. 709	SECTION (105BR)BR	COUNTY CHAMPAIGN	TOTAL SHEETS 55	SHEET NO. 22
	SN 010-0283		CONTRACT NO. 70427		
FED. ROAD DIST. NO. 5 ILLINOIS FED. AID PROJECT					