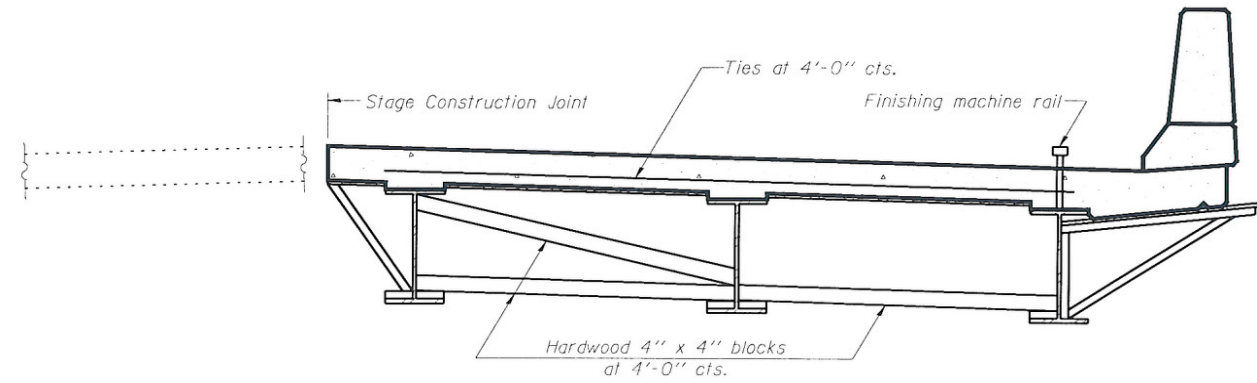
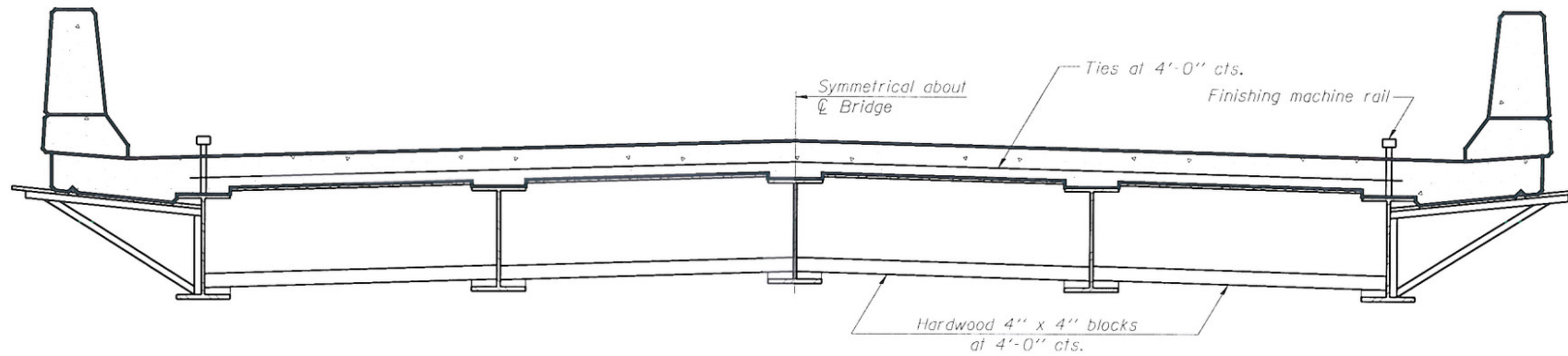


STATE OF ILLINOIS
DEPARTMENT OF TRANSPORTATION



**FORM BRACES FOR
STAGE CONSTRUCTION**

When cantilever forming brackets are used, the work shall be done according to Article 503.06(b) of the Standard Specifications, except as modified below and in the details shown on this sheet.
The finishing machine rails shall be placed on the top flange of the exterior beams.
The beams or girders, supporting cantilever forming brackets, shall be tied together at 4 foot intervals.
For Standard construction, or Stage Construction the Hardwood bracing materials shall be placed as shown between webs of beams in each bay.



**FORM BRACES FOR
STANDARD CONSTRUCTION**

**CANTILEVER FORMING BRACKETS
FOR SUPERSTRUCTURES WITH
W27 BEAMS AND SMALLER
STRUCTURE NO. 010-0283**

DESIGNED	JLG
CHECKED	JSP
DRAWN	UJ
CHECKED	JLG

HR
HURST-ROSCHÉ
ENGINEERS, INC.
PROFESSIONAL DESIGN NUMBER 144-000278

SHEET NO. 23	F.A.P. RTE.	SECTION	COUNTY	TOTAL SHEETS	SHEET NO.
	709	(105BR)BR	CHAMPAIGN	55	35
24 SHEETS	SN 010-0283		CONTRACT NO. 70427		
FED. ROAD DIST. NO. 5 ILLINOIS FED. AID PROJECT					