

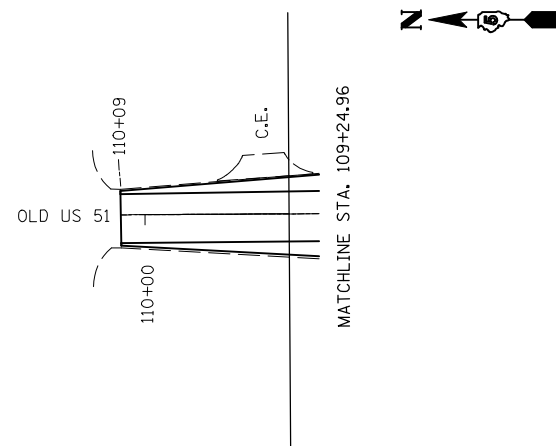
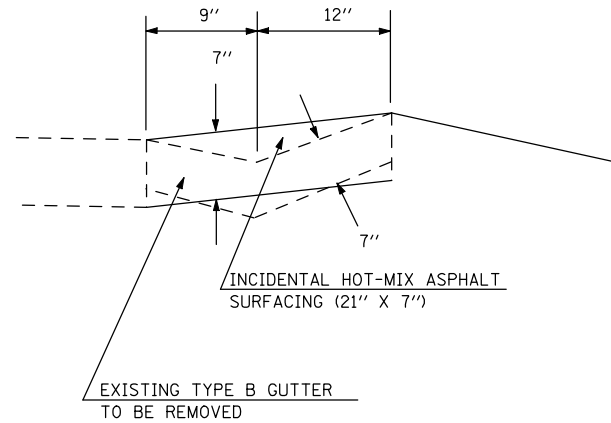
SEC. 33 - T 22 N - R 2 E - 3RD PM

GUTTER REMOVAL ON OLD US 51

(44000400)

STATION	OFFSET	TYPE	LENGTH (FT)
94+34	RT	PE	29
95+96	RT	PE	29
97+02	RT	PE	29
97+09	LT	PE	18
98+00	RT	PE	20
99+22	RT	PE	16
102+37	RT	PE	15
102+37	LT	PE	15
102+81	LT	PE	14
103+63	LT	PE	20
104+00	LT	PE	20
104+35	RT	CE	30
104+80	RT	CE	30
105+30	LT	PE	40
105+46	RT	CE	40
106+10	RT	CE	30
TOTAL			395

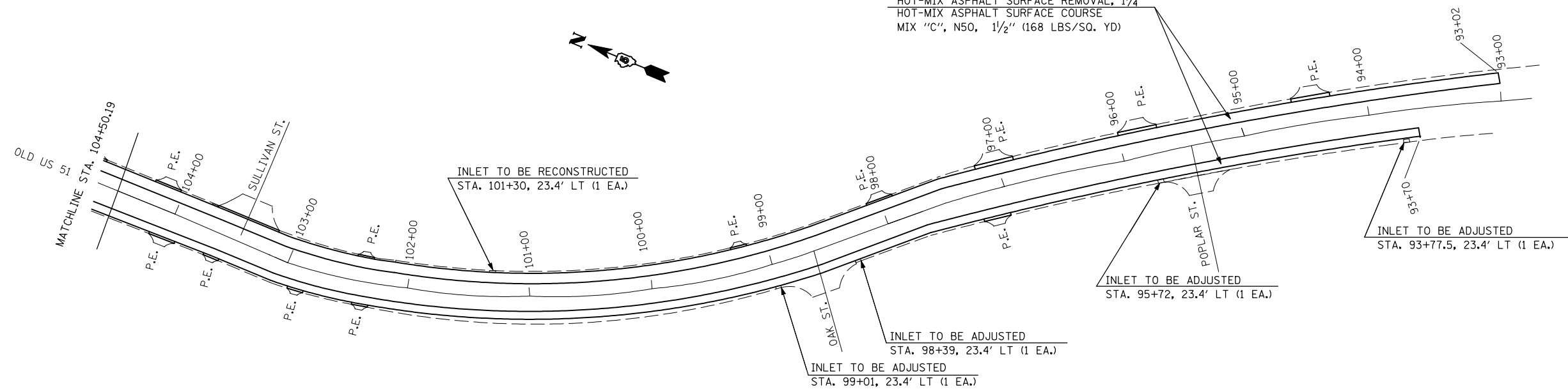
DETAIL OF HOT-MIX ASPHALT INCIDENTAL SURFACING ADJACENT TO PARKING LANES ON OLD US 51 (VINE ST. NORTH AND SOUTH)



SEC. 4 - T 22 N - R 2 E - 3RD PM

OLD US 51 PARKING LANES SCOPE OF WORK:

HOT-MIX ASPHALT SURFACE REMOVAL, 1 1/4"
 HOT-MIX ASPHALT SURFACE COURSE
 MIX "C", N50, 1 1/2" (168 LBS/SQ. YD)



FILE NAME =	USER NAME = bucklesjj	DESIGNED -	REVISED -
ct:\pw\work\PWIDOT\BUCKLESJJ\d0170848\070507-sht-plan.dgn		DRAWN -	REVISED -
	PLOT SCALE = 100.0000' / IN.	CHECKED -	REVISED -
	PLOT DATE = 12/10/2009	DATE -	REVISED -

STATE OF ILLINOIS
 DEPARTMENT OF TRANSPORTATION

PLAN SHEET
 OLD US 51 PARKING LANES

SCALE: SHEET NO. OF SHEETS STA. TO STA.

F.A.P. RTE.	SECTION	COUNTY	TOTAL SHEETS	SHEET NO.
315		McLean	115	24
*(101,102)R,RS-2 & 55RS-PRK LN		CONTRACT NO. 70507		
ILLINOIS FED. AID PROJECT				