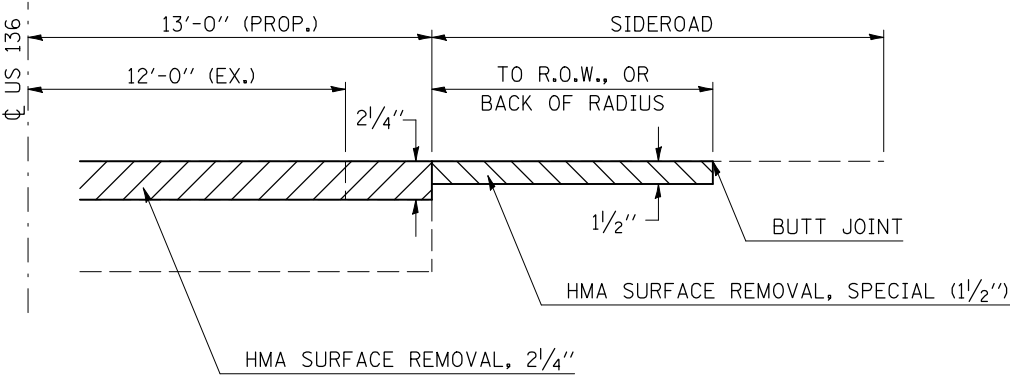
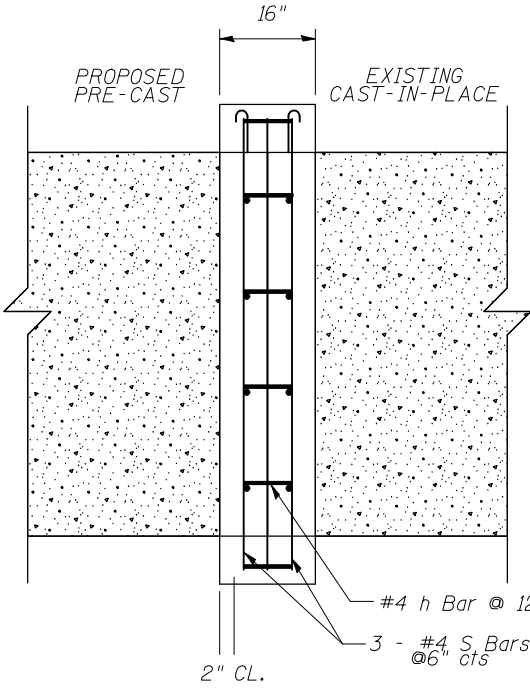
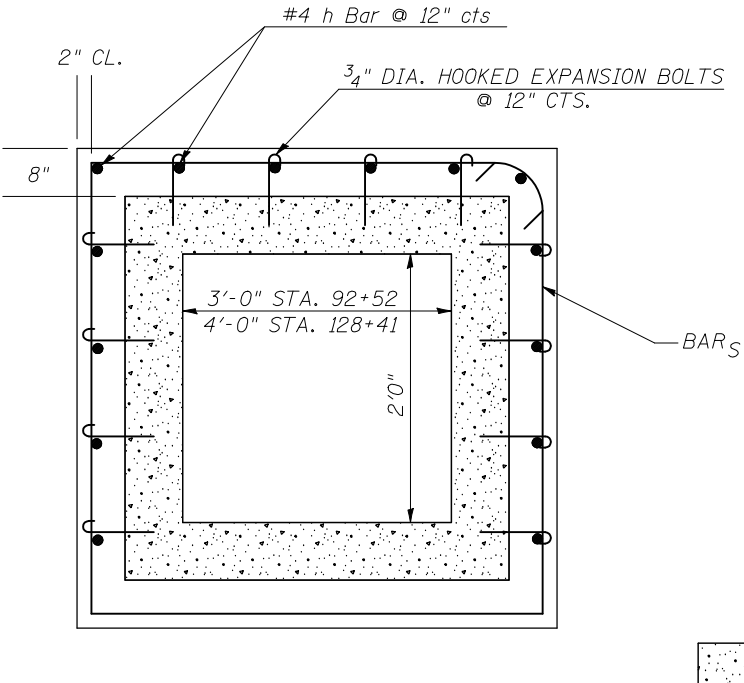


DETAIL OF SIDEROAD MILLING



* TEMP RAMP MAY BE OMITTED AS DETERMINED BY THE ENGINEER.

DETAIL OF CONCRETE COLLAR FOR BOX CULVERT



3'x2' L=4'-4" H=3'-5" LENGTH =15'-6"
 4'x2' L=5'-4" H=3'-5" LENGTH =17'-6"

BILL OF MATERIALS FOR CONCRETE COLLARS

| CULVERT SIZE | CLASS SI CONCRETE | WELDED WIRE FABRIC | 3/4" EXPANSION HOOK BOLTS | h BAR | S BAR |
|--------------|-------------------|--------------------|---------------------------|---------|--------------------------|
| 3'x2' | .26 CU YD | 15.5 SQ FT | 24 | 12 - #4 | 3 - #4 - 20.7 LBS/COLLAR |
| 4'x2' | .31 CU YD | 17.5 SQ FT | 36 | 18 - #4 | 3 - #4 - 20.7 LBS/COLLAR |

GENERAL NOTES

1. CLASS SI CONCRETE SHALL BE USED THROUGHOUT.
2. CONCRETE COLLARS WILL BE PAID FOR AT THE CONTRACT UNIT PRICE, PER CUBIC YARD (CUBIC METER), FOR CONCRETE COLLARS INCLUDING ALL MATERIAL AND LABOR SPECIFIED TO COMPLETE THE WORK IN PLACE.