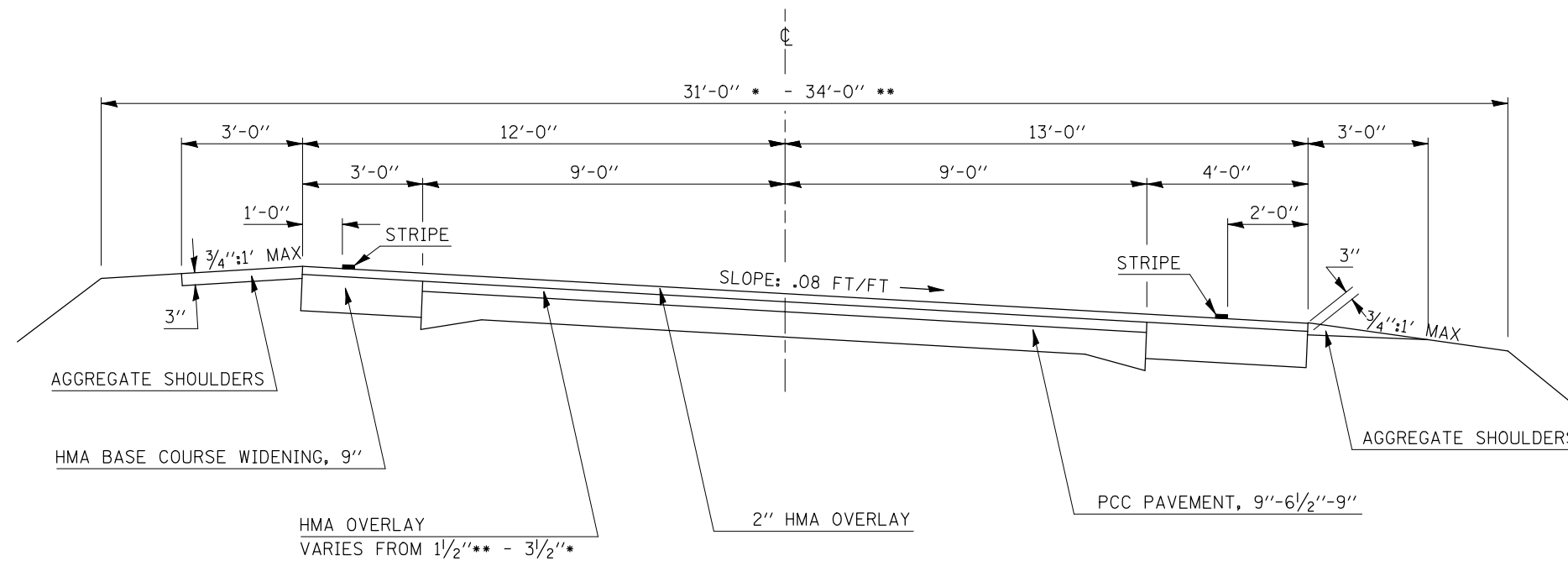


2 EXISTING TYPICAL SECTION

STATION	TO	STATION
281+96.40		287+59.81 (BK) *
382+16.00		388+26.11 (BK) **

STATION EQUATIONS:
 STA 287+59.81 (BK) = STA 287+96.40 (AH)
 STA 388+26.11 (BK) = STA 388+70.99 (AH)



2 PROPOSED TYPICAL SECTION

STATION	TO	STATION
① 281+96.40		287+59.81 (BK) * ①
① 382+16.00		388+26.11 (BK) ** ①

STATION EQUATIONS:
 STA 287+59.81 (BK) = STA 287+96.40 (AH)
 STA 388+26.11 (BK) = STA 388+70.99 (AH)

