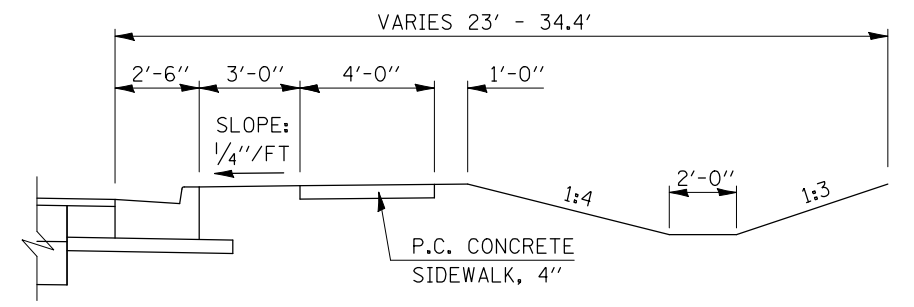


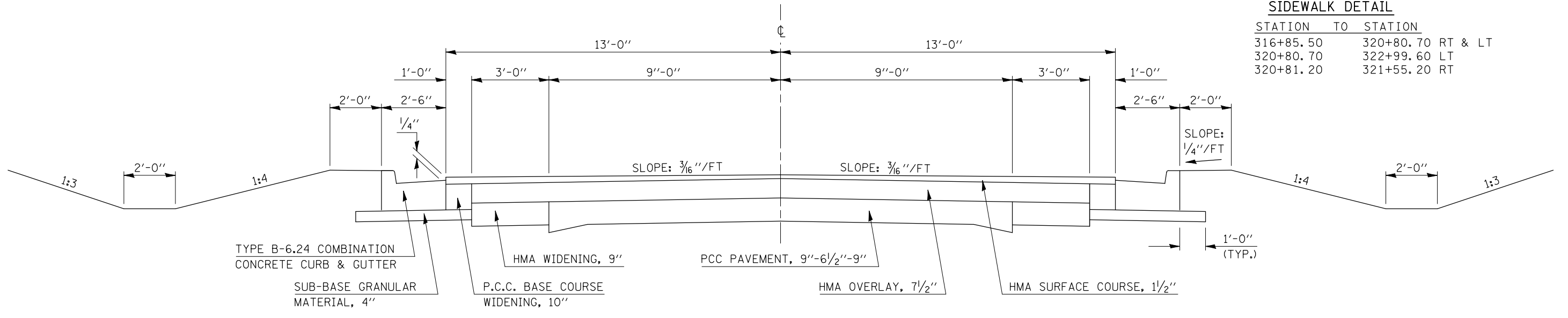
4 EXISTING TYPICAL SECTION

STATION TO STATION
315+70.00 TO 328+63.80



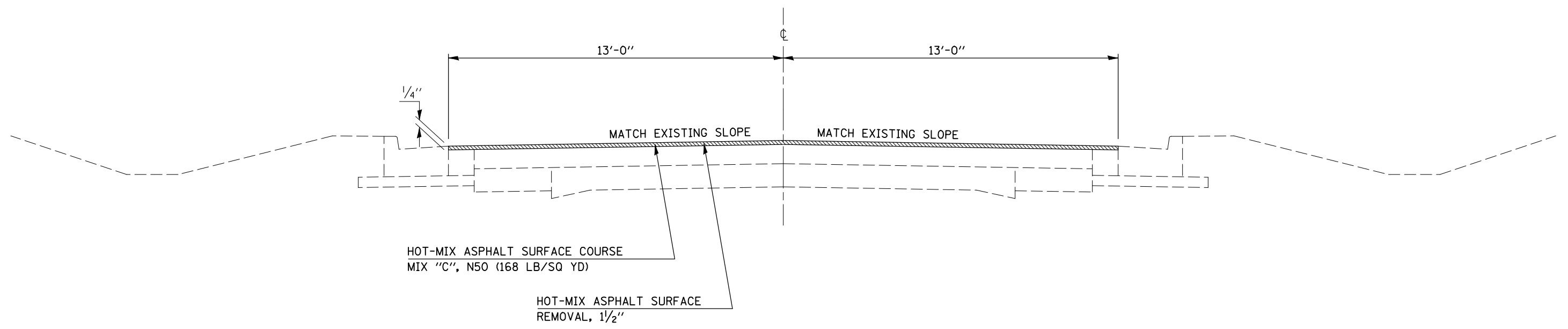
SIDEWALK DETAIL

STATION	TO STATION	
316+85.50	320+80.70	RT & LT
320+80.70	322+99.60	LT
320+81.20	321+55.20	RT



4 PROPOSED TYPICAL SECTION

STATION TO STATION
③ 315+70.00 TO 328+63.80 ①



FILE NAME =	USER NAME = piersonbr	DESIGNED -	REVISED -
ct:\pw\work\PIWIDOT\PIERSONBR\d0115438\0523-sh1-Typicals.dgn		DRAWN -	REVISED -
PLOT SCALE = 40.0000' / IN.		CHECKED -	REVISED -
PLOT DATE = 12/4/2009		DATE -	REVISED -

STATE OF ILLINOIS
DEPARTMENT OF TRANSPORTATION

EXISTING AND PROPOSED TYPICAL SECTIONS			
SCALE: N/A	SHEET NO.	OF SHEETS	STA. TO STA.

F.A.S. RTE.	SECTION	COUNTY	TOTAL SHEETS	SHEET NO.
2466	(9,10,11)RS-3	MCLEAN	47	7
CONTRACT NO. 70523				
FED. ROAD DIST. NO. ILLINOIS FED. AID PROJECT				