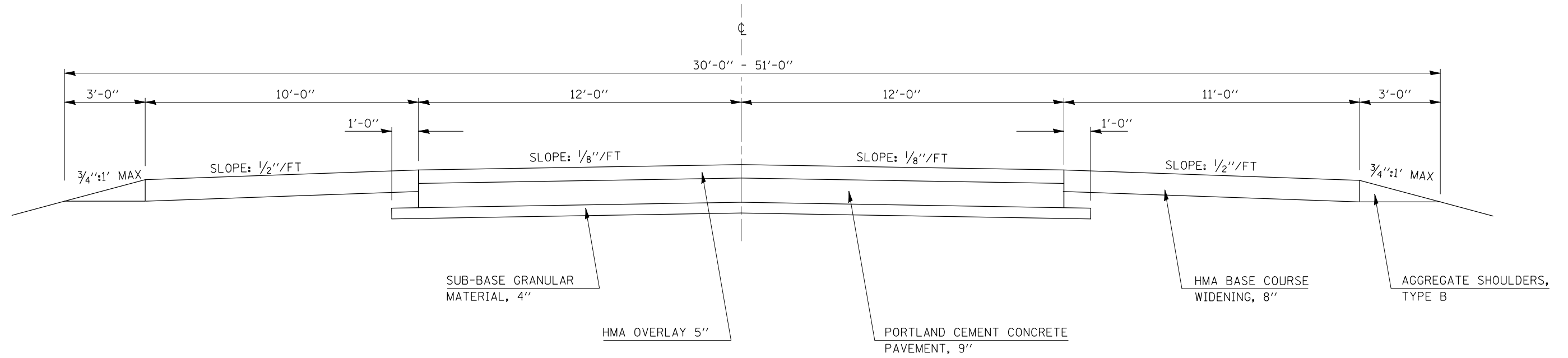


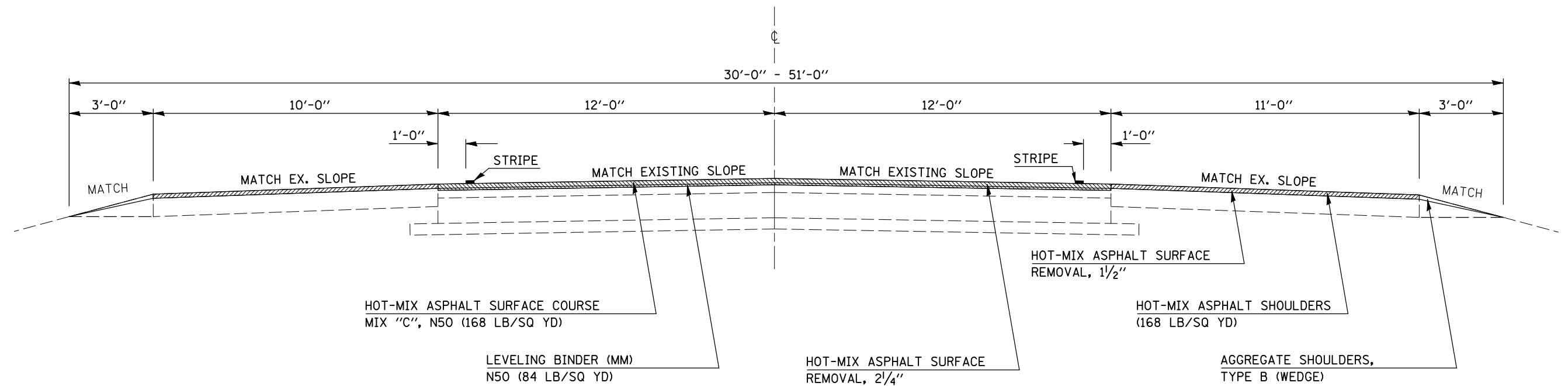
**8 EXISTING TYPICAL SECTION**

STATION TO STATION  
560+07.00 TO 567+18.50



**8 PROPOSED TYPICAL SECTION**

⑦ STATION TO STATION  
560+07.00 TO 567+18.50



FILE NAME =	USER NAME = ppersonbr	DESIGNED -	REVISED -	<b>STATE OF ILLINOIS DEPARTMENT OF TRANSPORTATION</b>	<b>EXISTING AND PROPOSED TYPICAL SECTIONS</b>			F.A.S. RTE.	SECTION	COUNTY	TOTAL SHEETS	SHEET NO.
ct:\pwork\pwork\PIERSONBR\d0115438\0523-shr-typicals.dgn	PLOT SCALE = 40.0000' / IN.	DRAWN -	REVISED -					2466	(9,10,11)RS-3	MCLEAN	47	11
PLOT DATE = 12/4/2009	DATE -	CHECKED -	REVISED -		SCALE: N/A			CONTRACT NO. 70523				
					SHEET NO. OF SHEETS STA. TO STA.			FED. ROAD DIST. NO. ILLINOIS FED. AID PROJECT				