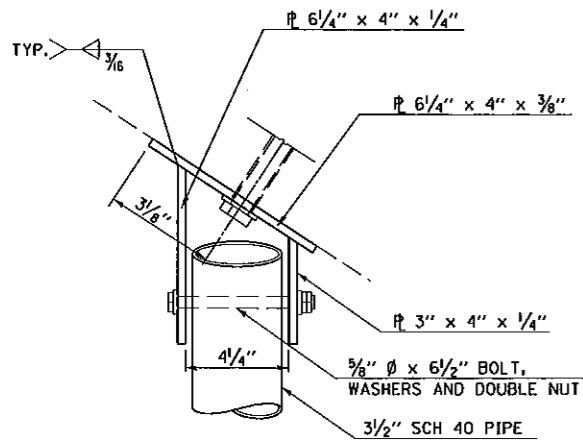
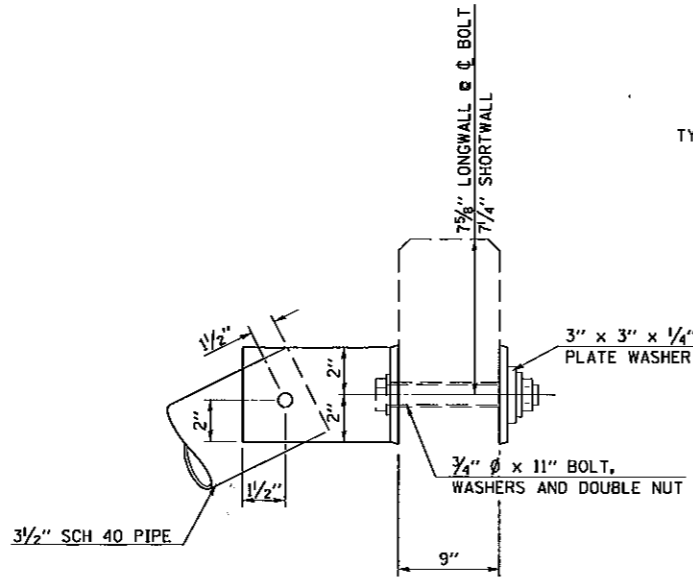


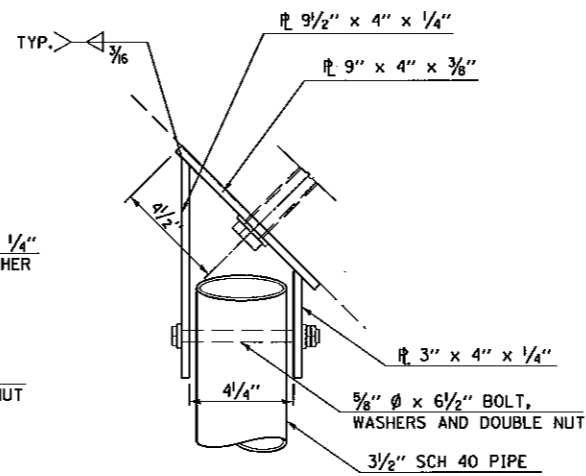
STATE OF ILLINOIS
DEPARTMENT OF TRANSPORTATION



PLAN AT LONG WINGWALL
(6 EACH)



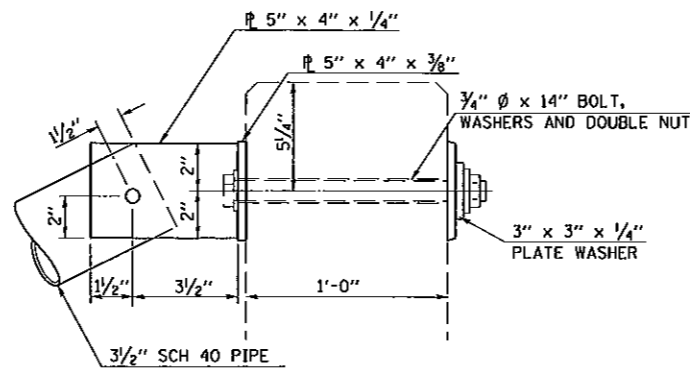
ELEVATION AT WINGWALLS
(9 EACH)



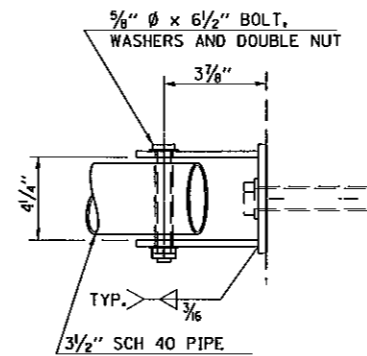
PLAN AT SHORT WINGWALL
(3 EACH)

GENERAL NOTES

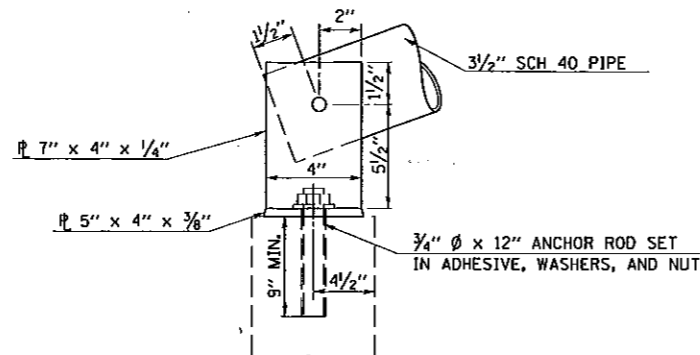
1. BOLTS, RODS, AND NUTS SHALL CONFORM TO A.S.T.M. A 307. ALL BOLTS SHALL HAVE WASHERS AT EACH END. HOLES SHALL BE 1/16" (2 mm) OVERSIZED UNLESS OTHERWISE NOTED EXCEPT IN CONCRETE WHICH SHALL BE 1/8" (4 mm) OVERSIZED.
2. STEEL PLATES SHALL CONFORM TO A.A.S.H.T.O. M 183. STEEL PIPES SHALL CONFORM TO A.S.T.M. A 53, GRADE B OR A.S.T.M. A 501.
3. STEEL PIPES, ANGLES AND PLATES SHALL BE HOT DIPPED GALVANIZED CONFORMING TO THE REQUIREMENTS OF A.A.S.H.T.O. M 111.
4. BOLTS, NUTS AND WASHERS SHALL BE HOT DIPPED GALVANIZED CONFORMING TO THE REQUIREMENTS OF A.A.S.H.T.O. M 232.
5. THE APPROXIMATE WEIGHT OF THE STEEL IS 1190 POUNDS. THIS TOTAL INCLUDES PLATES AND PIPES. BOLTS, NUTS AND WASHERS ARE NOT INCLUDED.
6. ALL DIMENSIONS ARE TO BE VERIFIED IN THE FIELD. CUTTING OF THE STANDARD WEIGHT PIPE TO THE EXACT LENGTH AND DRILLING HOLES IS TO BE DONE IN THE FIELD.
7. DRILLING AND SETTING PROCEDURES FOR ANCHOR RODS IN END WALL SHALL BE IN ACCORDANCE WITH SECTIONS 509.02 AND 509.06 OF THE STANDARD SPECIFICATIONS.
8. THIS WORK WILL BE PAID FOR AT THE CONTRACT UNIT PRICE EACH FOR "GRATING FOR BOX CULVERT, LOCATION 1" WHICH PRICE SHALL INCLUDE ALL MATERIAL AND LABOR TO COMPLETE THE INSTALLATION AS SHOWN.



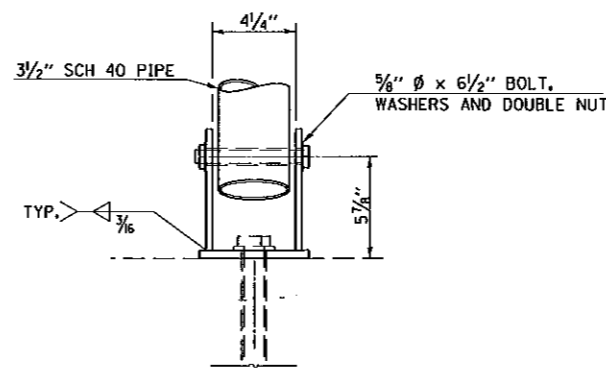
ELEVATION AT HEADWALL
(4 EACH)



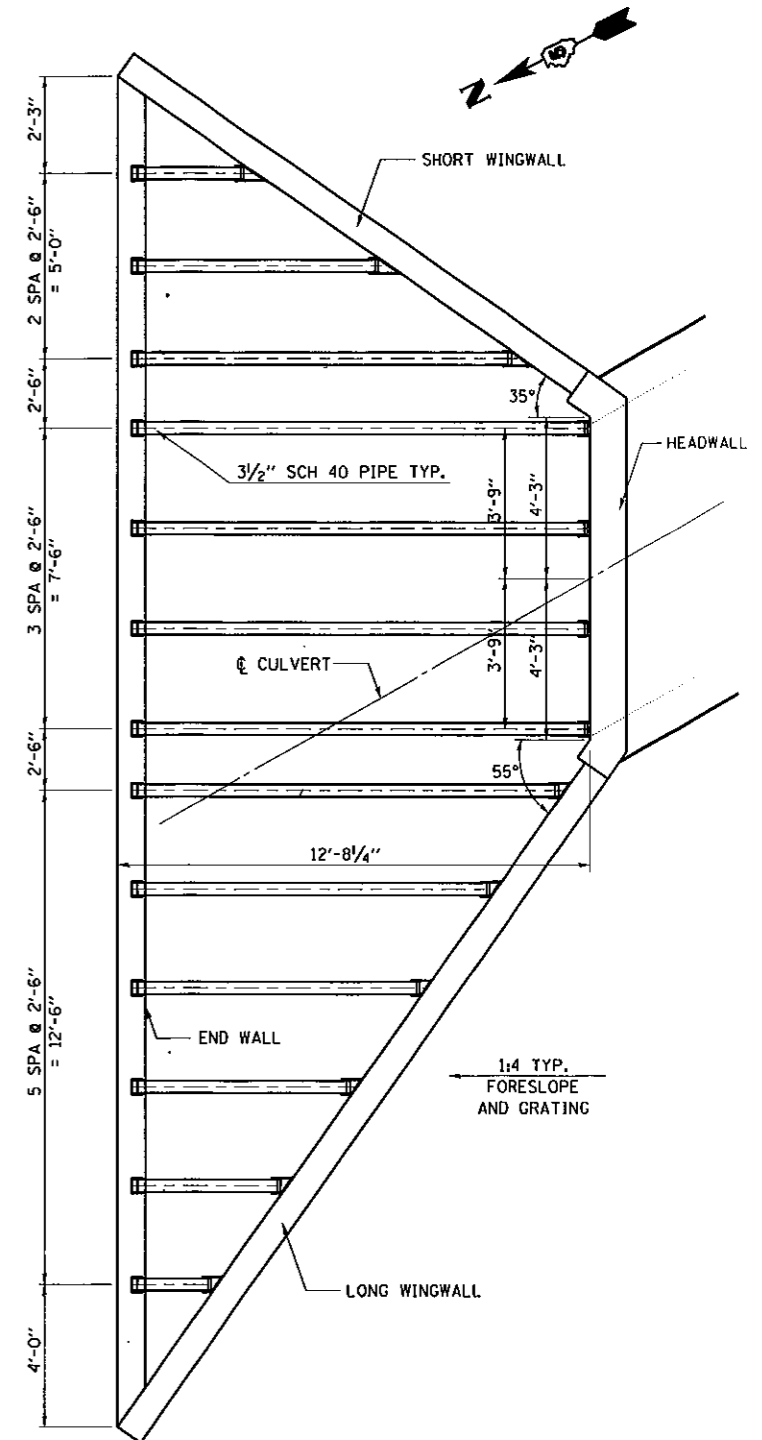
PLAN AT HEADWALL
(4 EACH)



ELEVATION AT ENDWALL
(13 EACH)



PLAN AT ENDWALL
(13 EACH)



GRATING PLAN

GRATING DETAILS
US 150 OVER DITCH
CHAMPAIGN COUNTY
STATION 526+53.00
STRUCTURE NO. 010-8125

SHEET NO. 3 3 SHEETS	F.A.S. RTE. 1517	SECTION 12BR	COUNTY CHAMPAIGN	TOTAL SHEETS 30	SHEET NO. 12
	CONTRACT NO. 70584				
FED. ROAD DIST. NO.		ILLINOIS FED. AID PROJECT			