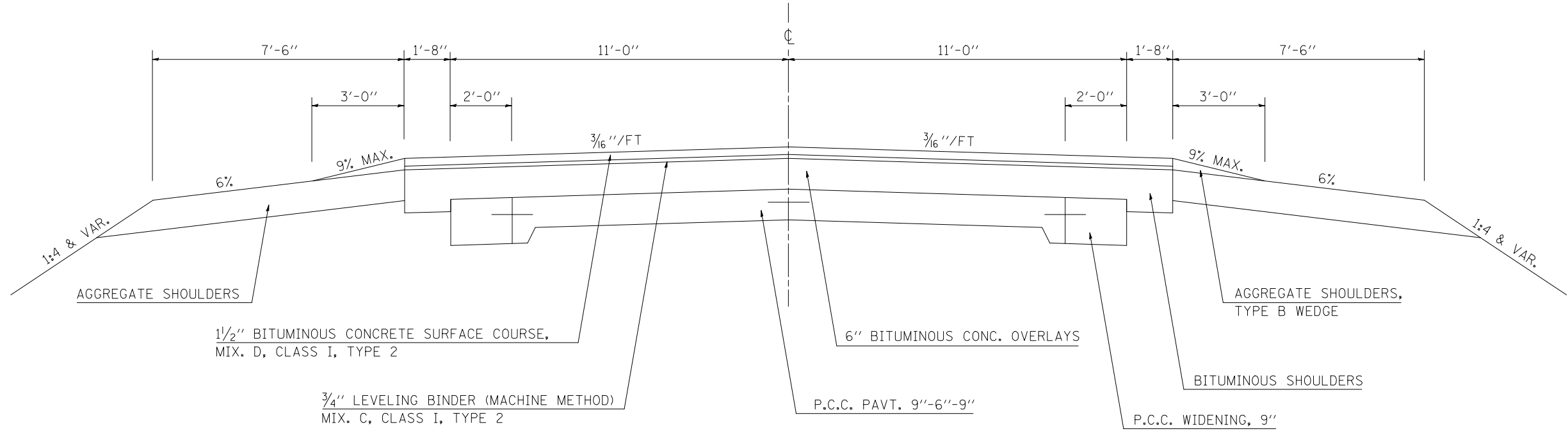


* OMISSION-S. N. 020-0039
 STATION 72+65.00 TO STATION 73+39.50
 ** OMISSION-S. N. 020-8033
 STATION 122+50.00 TO STATION 122+70.00

EXISTING TYPICAL SECTION

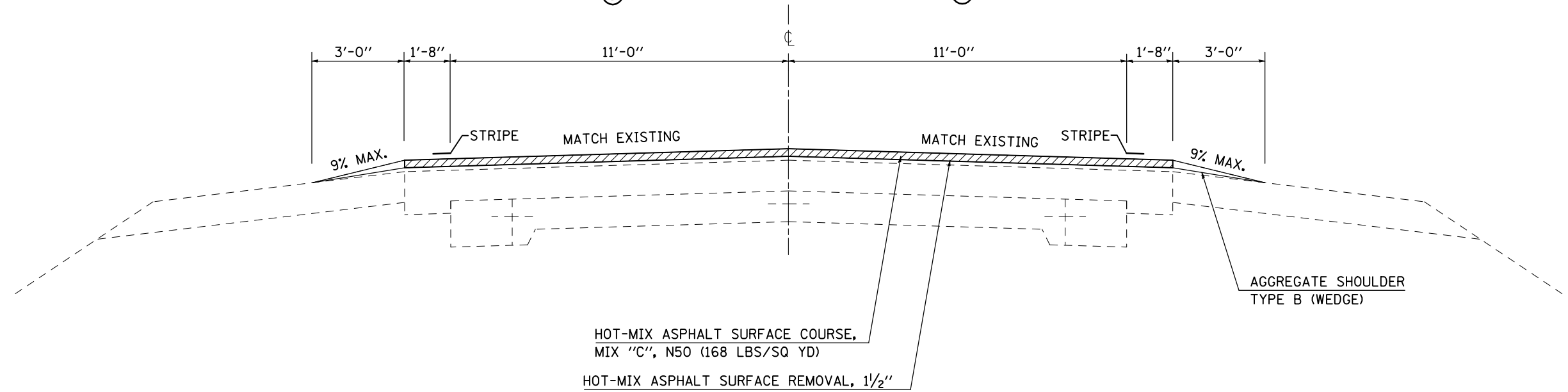
STATION	TO	STATION
57+51.50		72+90.84 *
* 73+13.15		122+50.00 **
**122+70.00		249+46.15
327+51.15		346+91.50



* OMISSION-S. N. 020-0039
 STATION 72+65.00 TO STATION 73+39.50
 ** OMISSION-S. N. 020-8033
 STATION 122+50.00 TO STATION 122+70.00

1 PROPOSED TYPICAL SECTION

STATION	TO	STATION
57+51.50		72+65.00 *
* 73+39.50		122+50.00 **
**122+70.00		249+46.15 ③
③ 327+51.15		346+91.50 ④



FILE NAME =	USER NAME = shererjm	DESIGNED - JMS	REVISED -
ct:\pw\work\PWIDOT\SHERERJM\d0115161\7078Ttypicals.dgn		DRAWN - JMS	REVISED -
PLOT SCALE = 100.0000' / IN.		CHECKED -	REVISED -
PLOT DATE = 11/24/2009		DATE - 1/02/2009	REVISED -

STATE OF ILLINOIS
 DEPARTMENT OF TRANSPORTATION

EXISTING & PROPOSED TYPICAL SECTIONS

SCALE: NO SCALE SHEET NO. 1 OF 5 SHEETS STA. TO STA.

F.A.P. RTE.	SECTION	COUNTY	TOTAL SHEETS	SHEET NO.
760	124RS-6	DEWITT	21	6
CONTRACT NO. 70758				
FED. ROAD DIST. NO. ILLINOIS FED. AID PROJECT				