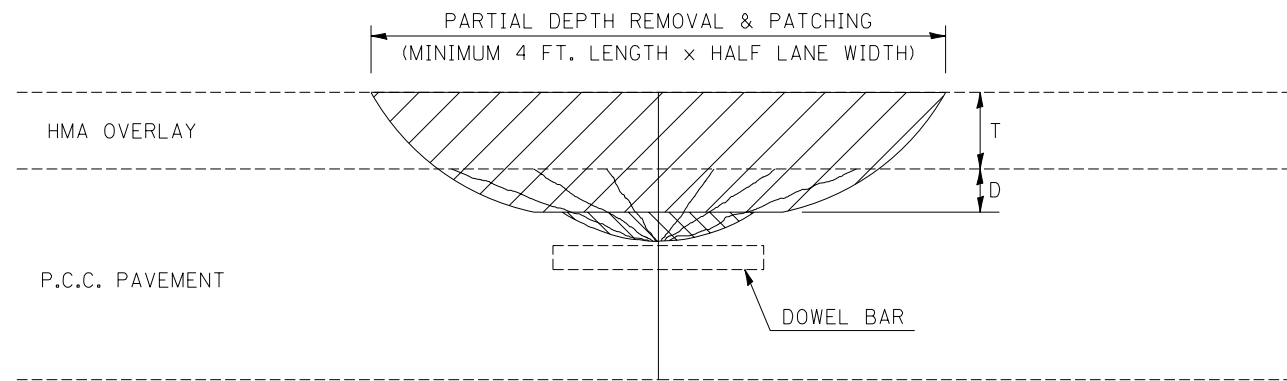




DESIGNER NOTE: THIS DISTRICT 5 DETAIL SHOULD BE USED WITH RECURRING SPECIAL PROVISION CHECK SHEET #15 AND SHALL ALSO APPLY TO PREVIOUSLY RESURFACED PCC PAVEMENT.

**RESURFACED PCC PAVEMENT**




 + 
 
 = PARTIAL DEPTH REMOVAL (X4401705)

MILL MACHINE  
AND/OR WHEEL  
SAW REMOVAL

AIR EQUIPMENT  
OR MECHANICAL  
SWEEPER REMOVAL  
OF LOOSE AND/OR  
UN SOUND CONCRETE

**DESIGN NOTES**

PARTIAL DEPTH HMA PATCHING SHALL NOT BE USED WHEN HMA OVERLAY THICKNESS (T) ON PCC PAVEMENT EXCEEDS 4 3/4 INCHES (145 mm) OR ON CRC PAVEMENT.

**GENERAL NOTES**

ALL VOLUME OF PARTIAL DEPTH REMOVAL SHALL BE REPLACED WITH HOT-MIX ASPHALT (HMA) AND PAID FOR AT THE CONTRACT UNIT PRICE PER TON FOR PARTIAL DEPTH PATCHING.

T = THICKNESS OF HMA OVERLAY(S). SEE EXISTING TYPICAL CROSS SECTION.

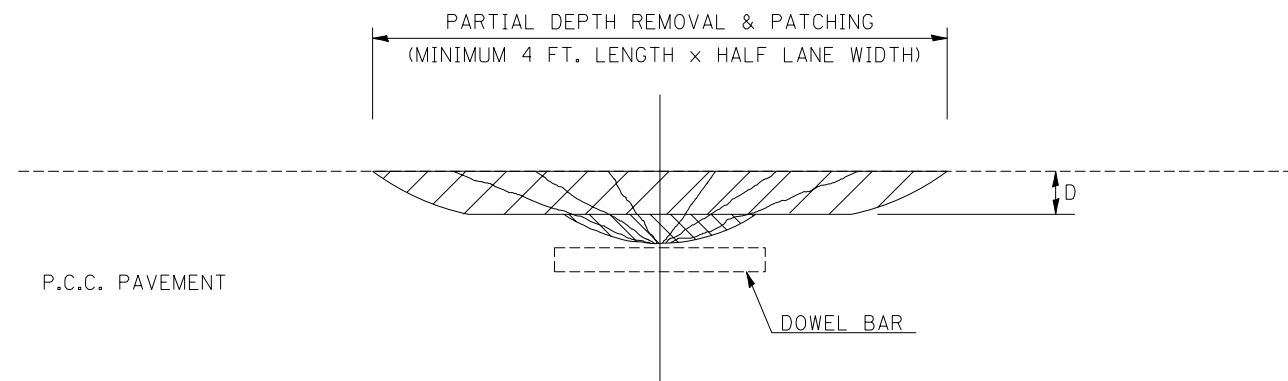
GENERAL NOTE 406H SHALL INCLUDE MIXTURE REQUIREMENTS FOR PARTIAL DEPTH PATCHING.

HMA REPLACEMENT IN RESURFACED PCC PAVEMENT LOCATIONS SHALL BE ACCORDING TO SECTION 406 OF THE STANDARD SPECIFICATIONS.

D = DEPTH OF PARTIAL DEPTH REMOVAL INTO EXISTING PCC PAVEMENT. (3" (75 mm) ± OR TO SOUND CONCRETE)

TRANSVERSE CONTRACTION JOINT SHOWN - OTHER LOCATIONS SIMILAR.

**BARE PCC PAVEMENT**



Note: All dimensions are in INCHES (millimeters) unless otherwise shown.

FILE NAME =	USER NAME = leroyma	DESIGNED -	REVISED - 11/06
ct:\pwork\pwork\leryoma\d0112270\0570759-shd-details.dgn		DRAWN -	REVISED -
	PLOT SCALE = 40.0000' / IN.	CHECKED -	REVISED -
	PLOT DATE = 12/11/2009	DATE -	REVISED -

**STATE OF ILLINOIS  
DEPARTMENT OF TRANSPORTATION**

**PCC PARTIAL DEPTH HOT-MIX ASPHALT PATCHING**

SCALE: SHEET NO. OF SHEETS STA. TO STA.

**DISTRICT 5 DETAIL NO. XX442100**

F.A. RTE.	SECTION	COUNTY	TOTAL SHEETS	SHEET NO.
760	124RS-6&125RS-3		15	14
• DEWITT & PIATT			CONTRACT NO. 70759	
FED. ROAD DIST. NO.		ILLINOIS FED. AID PROJECT		