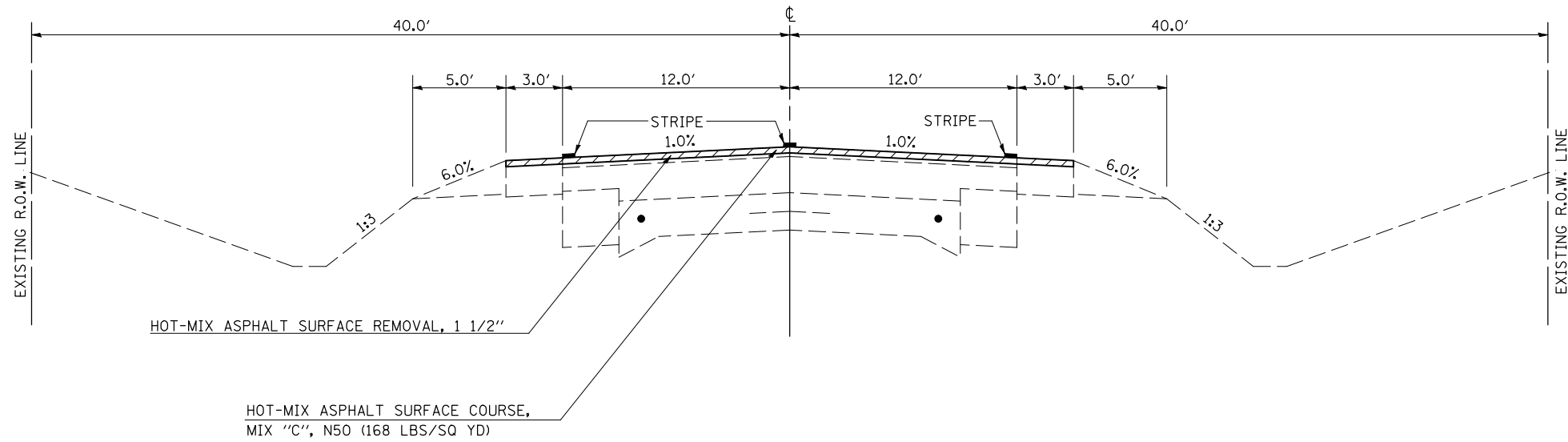


⑤ PROPOSED TYPICAL CROSS-SECTION

④ STATION 326+71.43 TO STATION 748+77.79 ⑥

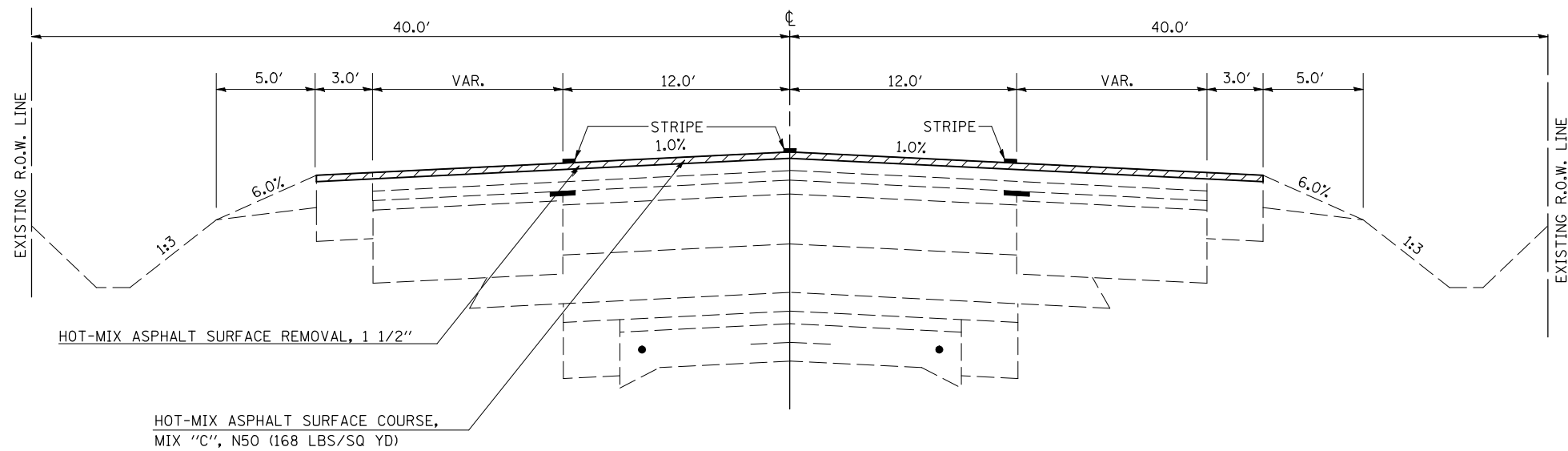
⑥ STATION 768+83.70 TO STATION 773+04.63 ⑦

PAVING OMISSIONS:
 SN 021-2018 STA. 493+78.43 TO STA. 494+89.57
 SN 021-8021 STA. 502+88.00 TO STA. 503+12.00
 SN 021-0050 STA. 517+81.00 TO STA. 519+03.00
 SN 021-8022 STA. 557+64.00 TO STA. 557+98.00
 SN 021-2022 STA. 677+38.26 TO STA. 678+45.74
 SN 021-8024 STA. 719+36.00 TO STA. 719+64.00



⑥ PROPOSED TYPICAL CROSS-SECTION

⑤ STATION 748+77.79 TO STATION 768+83.70 ⑤



• DOUGLAS & EDGAR

FILE NAME =	USER NAME = shererjm	DESIGNED - SCJ	REVISED -
ct:\pw\work\PWIDOT\SHERERJM\0115071\0570768-shr-typic01.dgn		DRAWN - JDC	REVISED -
PLOT SCALE = 40.0000' / IN.		CHECKED -	REVISED -
PLOT DATE = 11/27/2009		DATE - 01/06/09	REVISED -

STATE OF ILLINOIS
 DEPARTMENT OF TRANSPORTATION

PROPOSED TYPICAL CROSS SECTIONS

SCALE: N/A SHEET NO. 3 OF 4 SHEETS STA. TO STA.

F.A.P. RTE.	SECTION	COUNTY	TOTAL SHEETS	SHEET NO.
323	045,146RS-3 & 147RS-5	*	27	11
FED. ROAD DIST. NO. ILLINOIS FED. AID PROJECT			CONTRACT NO. 70760	