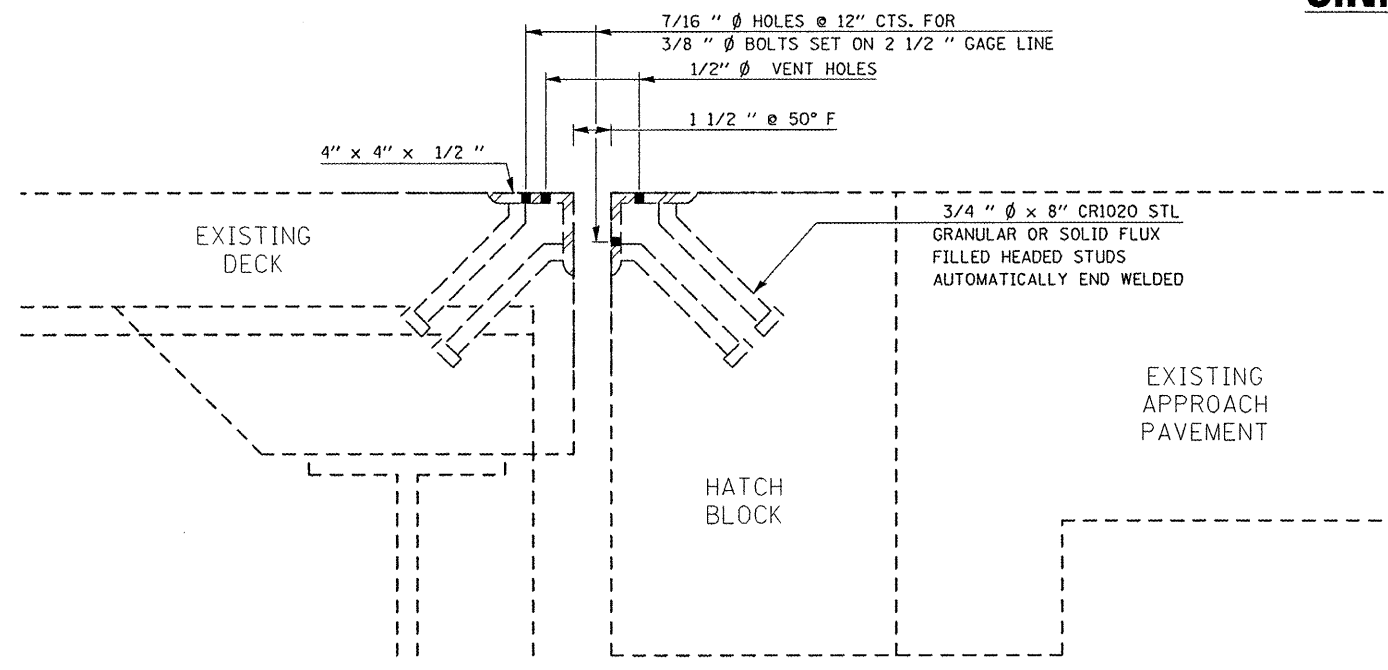
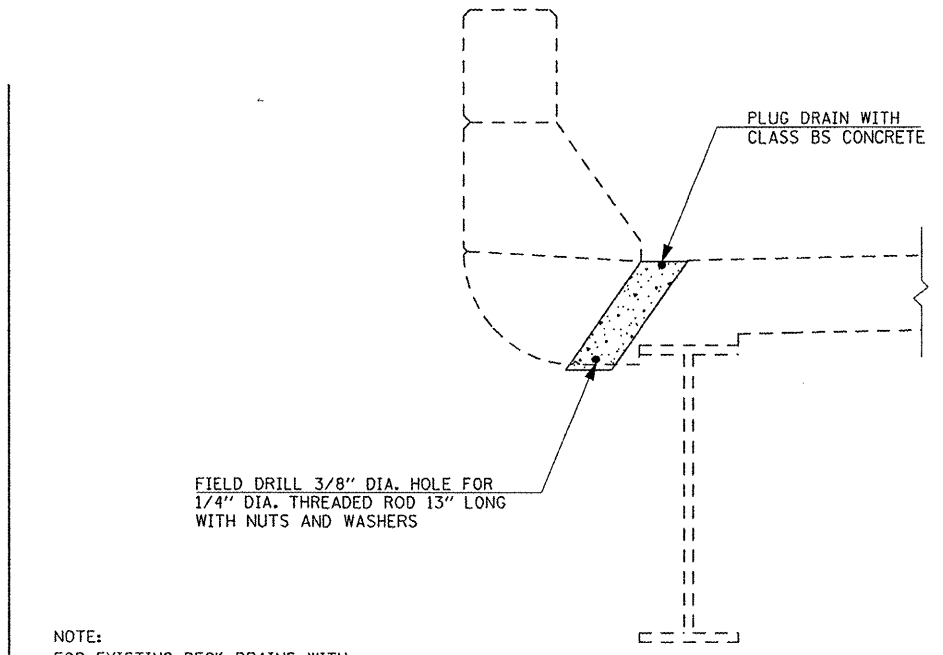


JOINT & DRAIN REPAIR DETAILS

S.N. 010-0082

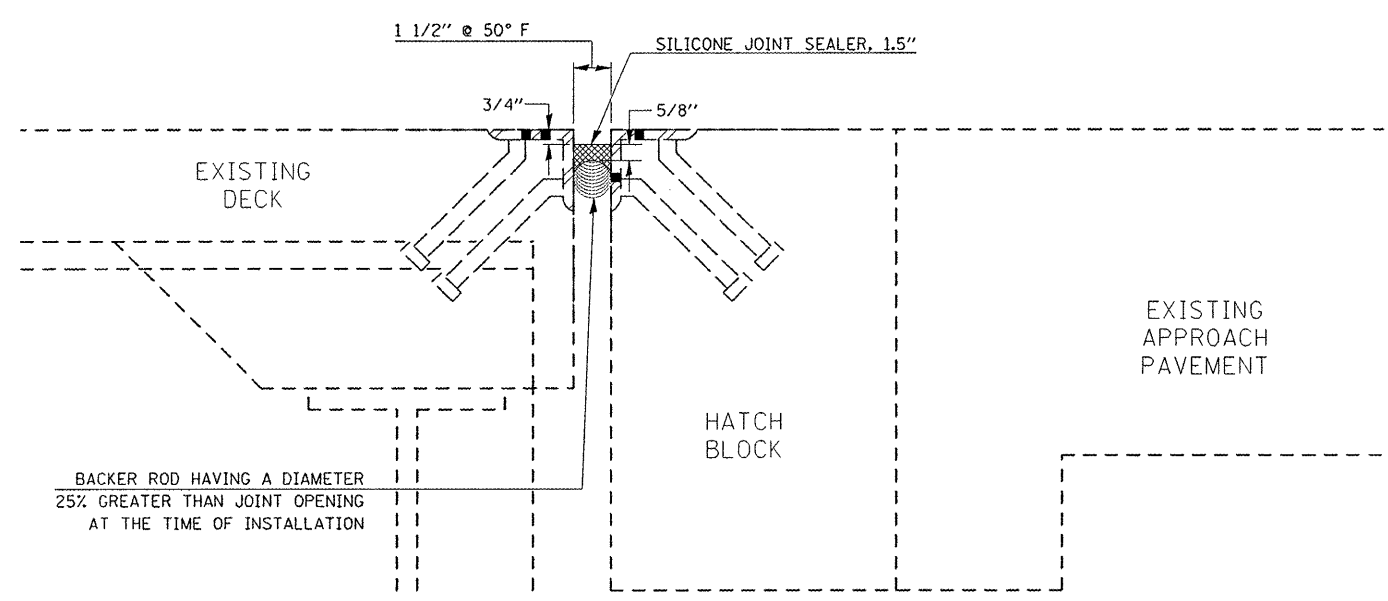


SECTION AT EXISTING JOINT

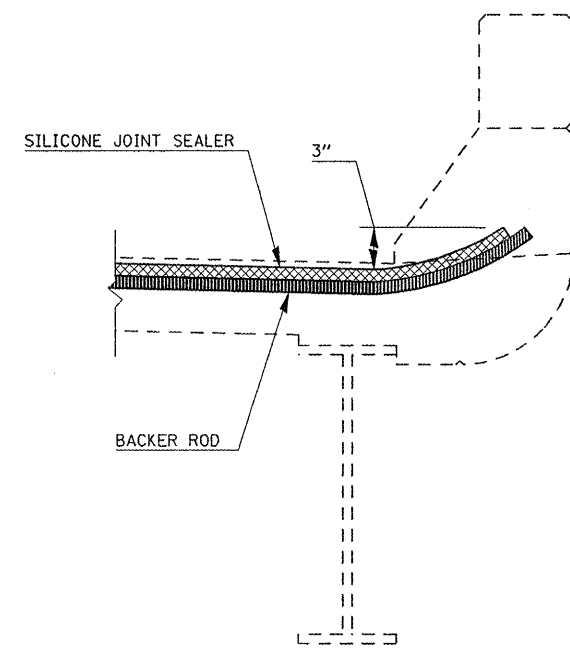


NOTE:
FOR EXISTING DECK DRAINS WITH EXTENSIONS, REMOVE THE BOTTOM PORTION OF EXISTING DRAIN. (COST TO BE INCLUDED WITH PLUG EXISTING DECK DRAINS)

DETAIL FOR PLUG EXISTING DECK DRAINS



SECTION AT PROPOSED JOINT



SECTION AT PARAPET

BILL OF MATERIALS

ITEM	UNIT	TOTAL
PLUG EXISTING DECK DRAINS	EACH	12.0
SILICONE JOINT SEALER, 1.5"	FOOT	75.3

FILE NAME : c:\pwwork\pwwork\bowern\0110023\7076	USER NAME = bowern Bridge Repair Plan.dgn	DESIGNED - GMS DRAWN - GMS	REVISED - REVISED - REVISED - REVISED -
PLOT SCALE = 40.0000' / IN.	CHECKED -	DATE -	
PLOT DATE = 12/27/2009			

STATE OF ILLINOIS
DEPARTMENT OF TRANSPORTATION

JOINT & DRAIN REPAIR DETAILS
S.N. 010-0082

SCALE: SHEET NO. 3 OF 8 SHEETS STA. TO STA.

F.A.I. RTE.:	SECTION	COUNTY	TOTAL SHEETS	SHEET NO.
57	10-37RS-2&(10,27-38)RS-1	CHAMPAIGN	41	33
CONTRACT NO. 70766			ILLINOIS FED. AID PROJECT	