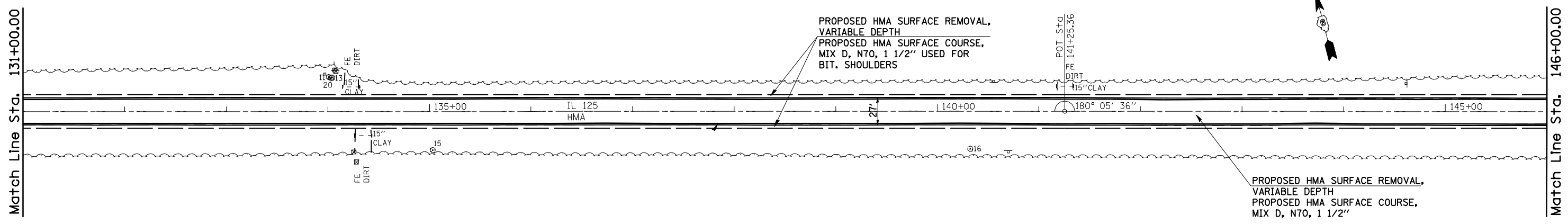


BM DA 14 :SET CHSLD " " TOP OF BOX EAST END (NOT HDWL) OF FIELD ENT N. SIDE IL 125; 1.78 MILE EAST OF COUNTY LINE NAVD88=630.342 @ STA. 119+01.824 @ OFFSET 23.958 LT.

PROPOSED HMA SURFACE REMOVAL, VARIABLE DEPTH  
PROPOSED HMA SURFACE COURSE, MIX D, N70, 1 1/2"

PROPOSED HMA SURFACE REMOVAL, VARIABLE DEPTH  
PROPOSED HMA SURFACE COURSE, MIX D, N70, 1 1/2" USED FOR BIT. SHOULDERS

PROPOSED AGGREGATE SHOULDERS, 3'



PROPOSED HMA SURFACE REMOVAL, VARIABLE DEPTH  
PROPOSED HMA SURFACE COURSE, MIX D, N70, 1 1/2" USED FOR BIT. SHOULDERS

PROPOSED HMA SURFACE REMOVAL, VARIABLE DEPTH  
PROPOSED HMA SURFACE COURSE, MIX D, N70, 1 1/2"

FILE NAME =	USER NAME = coxte	DESIGNED -	REVISED -
es:\pwwork\pwwid\DOT\COXTE\dma84394\dl672c99-shr-plen-DBL50.dgn		DRAWN - RTS	REVISED -
PLOT SCALE = 100.0000' / IN.		CHECKED -	REVISED -
PLOT DATE = Dec-18-2009 04:48:29PM		DATE - 11-09-09	REVISED -

**STATE OF ILLINOIS  
DEPARTMENT OF TRANSPORTATION**

**PLAN SHEETS - 50 SCALE**  
SCALE: 50 SHEET NO. 5 OF SHEETS STA. 116+00 TO STA. 146+00

F.A.P. RTE.	SECTION	COUNTY	TOTAL SHEETS	SHEET NO.
67	105(RS-6) 106(RS-4)	*	88	24
CONTRACT NO. 72C49				
FED. ROAD DIST. NO. ILLINOIS FED. AID PROJECT				

\* CASS, SANGAMON