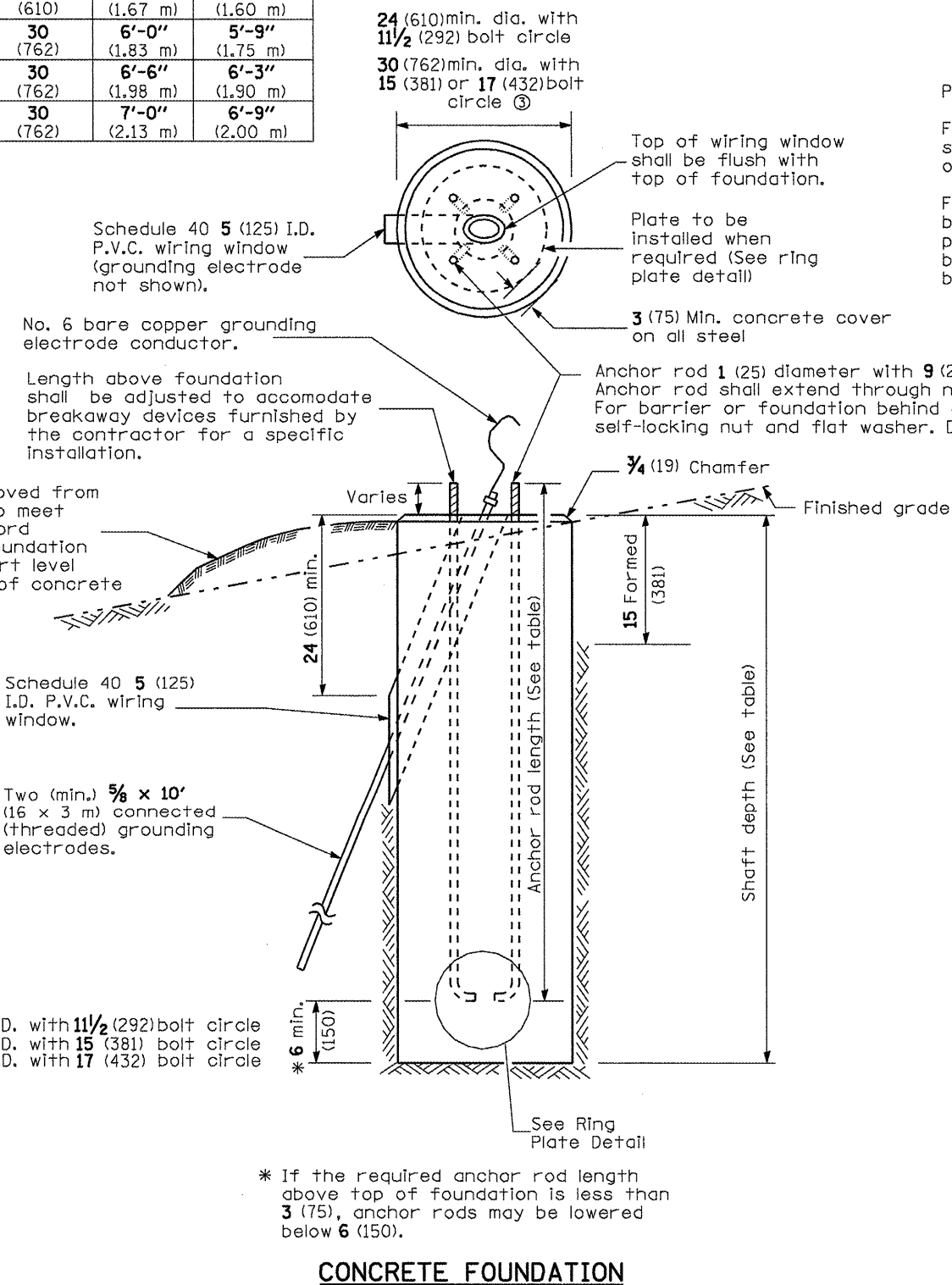
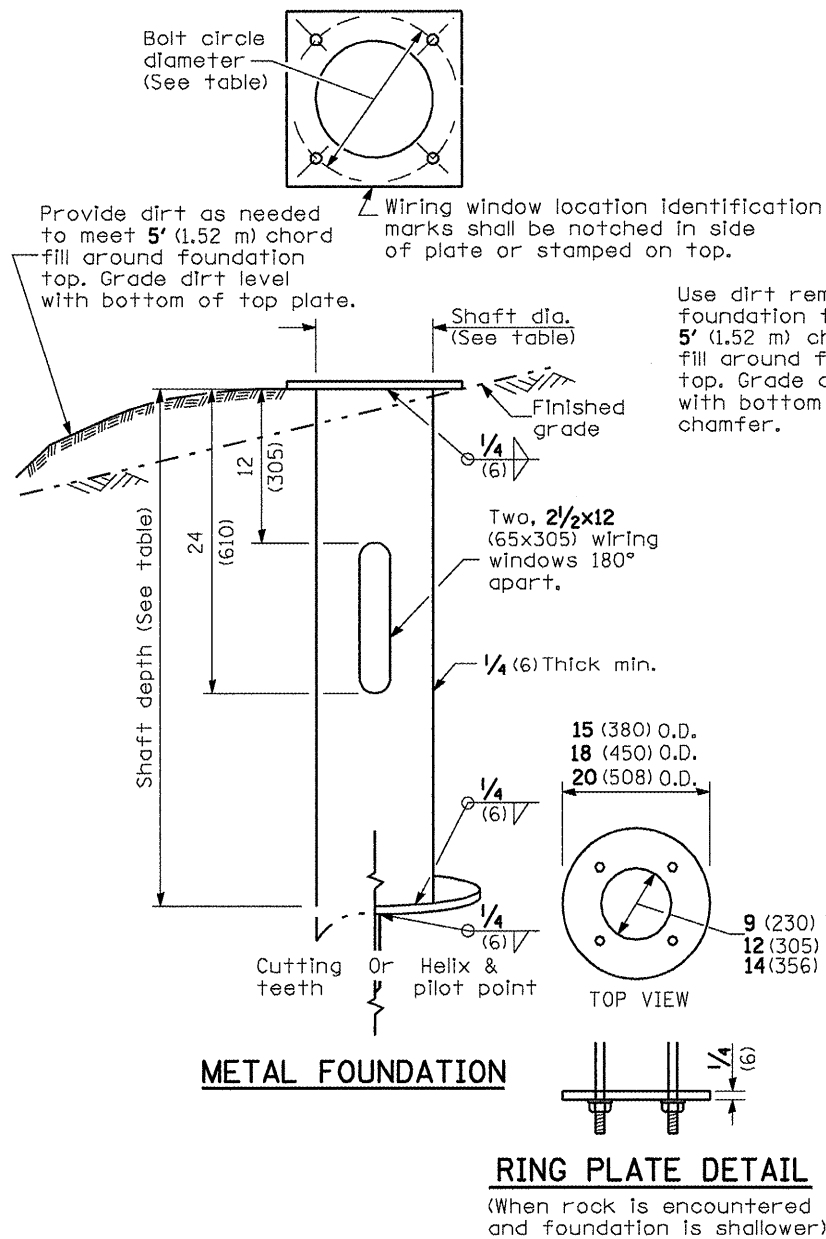
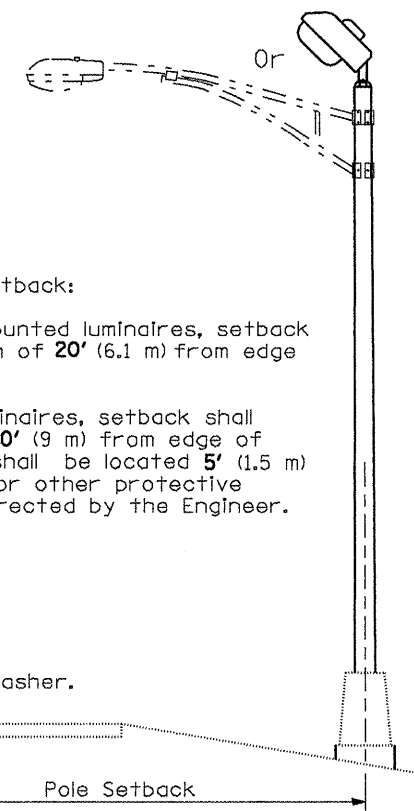


LIGHT POLE MOUNTING HEIGHT	BOLT CIRCLE DIAMETER	METAL FOUNDATION			CONCRETE FOUNDATION		
		SHAFT DIAMETER	SHAFT DEPTH	TOP PLATE (min)	SHAFT DIAMETER	SHAFT DEPTH	ANCHOR ROD LENGTH ①
< 30' (9.1 m)	11 1/2 (292)	8 7/8 (220)	6' (1.83 m)	12 x 12 x 1 (300 x 300 x 25)	24 (610)	5'-0" (1.52 m)	4'-9" (1.45 m)
31'-35' (9.4 m - 10.7 m)	11 1/2 (292)	8 7/8 (220)	6' (1.83 m)	12 x 12 x 1 (300 x 300 x 25)	24 (610)	5'-6" (1.67 m)	5'-3" (1.60 m)
36'-40' (10.9 m - 12.2 m)	15 (381)③	8 7/8 (220)	6' (1.83 m) ②	15 x 15 x 1 1/4 (375 x 375 x 31)	30 (762)	6'-0" (1.83 m)	5'-9" (1.75 m)
41'-45' (12.5 m - 13.7 m)	15 (381)③	8 7/8 (220)	6' (1.83 m) ②	15 x 15 x 1 1/4 (375 x 375 x 31)	30 (762)	6'-6" (1.98 m)	6'-3" (1.90 m)
46'-50' (14.0 m - 15.2 m)	15 (381)③	8 7/8 (220)	8' (2.44 m)	15 x 15 x 1 1/4 (375 x 375 x 31)	30 (762)	7'-0" (2.13 m)	6'-9" (2.00 m)

- ① Length does not include 4 (100) hook.
- ② 8 7/8 x 8'-0" (220 x 2.44 m) for twin luminaires.
- ③ Use the maximum allowable bolt circle diameter (typ. 17(430)) for a transformer base.



* If the required anchor rod length above top of foundation is less than 3 (75), anchor rods may be lowered below 6 (150).



Pole Foundation Setback:

For horizontal mounted luminaires, setback shall be a minimum of 20' (6.1 m) from edge of pavement.

For multimount luminaires, setback shall be a minimum of 30' (9 m) from edge of pavement. Poles shall be located 5' (1.5 m) behind guardrail or other protective barriers, or as directed by the Engineer.

GENERAL NOTES

All foundations are designed to be located on slopes not exceeding 2:1 where soils have an unconfined compressive strength of at least 1.0 TSF. The Contractor shall verify the soil strength during drilling for concrete foundations or by monitoring installation resistance of metal foundations and notify the Engineer if other conditions are encountered.

Anchor rod shall be increased in diameter as needed for 50' (15.2 m) mounting height or above. The Contractor shall match the breakaway device size or slotted hole size in the pole base plate to accommodate larger rod sizes.

Transformer bases shall not be used on metal foundations.

All dimensions are in inches (millimeters) unless otherwise shown.

LIGHT POLE FOUNDATION

STANDARD 836001

FILE NAME =	USER NAME = coxte	DESIGNED -	REVISED -
ci:\pw_work\PIWIDOT\COXTE\adna84394\ahv-1\h.dgn		DRAWN - RTS	REVISED -
PLOT SCALE = 48,0000 ' / IN.		CHECKED -	REVISED -
PLOT DATE = Dec-18-2009 04:56:15PM		DATE - 12-09-09	REVISED -

STATE OF ILLINOIS
DEPARTMENT OF TRANSPORTATION

INTERSECTION LIGHTING DETAILS

F.A.P. RTE.	SECTION	COUNTY	TOTAL SHEETS	SHEET NO.
67	105(RS-6) 106(RS-4)	*	88	66
CONTRACT NO. 72C49			ILLINOIS FED. AID PROJECT	
SCALE: 1" = 20'	SHEET NO. 4 OF 9 SHEETS	STA. .	TO STA. .	