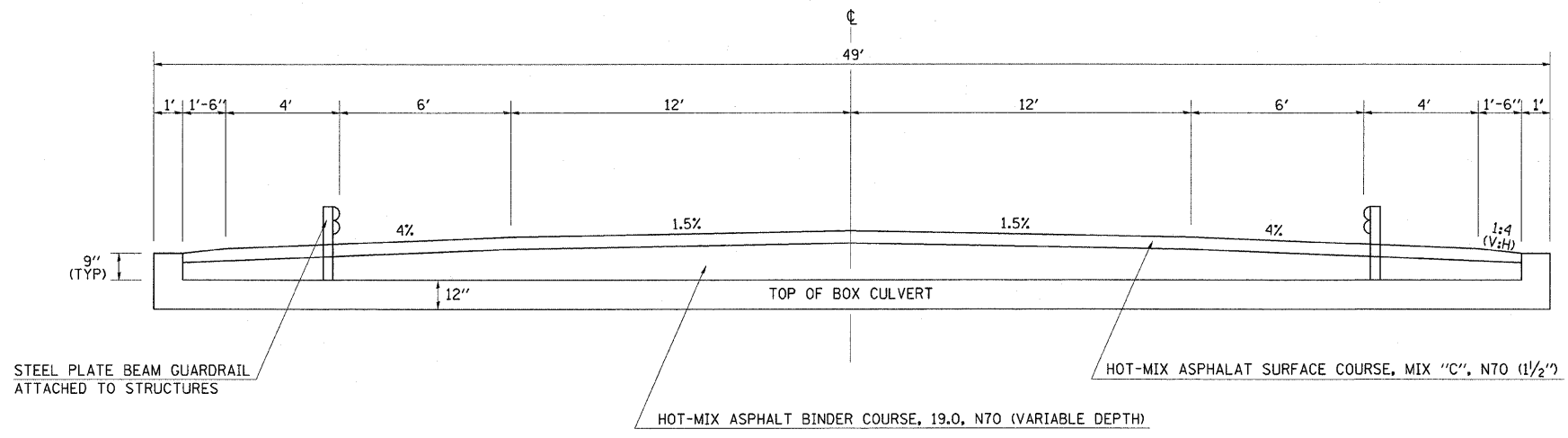


TYPICAL SECTION
 STA 602+07.50 TO STA 602+34.50



FILE NAME =	USER NAME = swartzw	DESIGNED -	REVISED -	STATE OF ILLINOIS DEPARTMENT OF TRANSPORTATION	TYPICAL CROSS SECTIONS			F.A.U. RTE.	SECTION	COUNTY	TOTAL SHEETS	SHEET NO.
cr:\pw_work\FWIDOT\SWARTZRW\d0121446\d7	4184-shr-typical.sdg	DRAWN -	REVISED -		8324	(21, BY) B-1	CRAWFORD	19	5			
	PLOT SCALE = 20.0000' / IN.	CHECKED -	REVISED -		SCALE: NA SHEET NO. 2 OF 2 SHEETS STA. TO STA.			CONTRACT NO. 74104				
	PLOT DATE = 12/14/2009	DATE -	REVISED -		ILLINOIS FED. AID PROJECT							