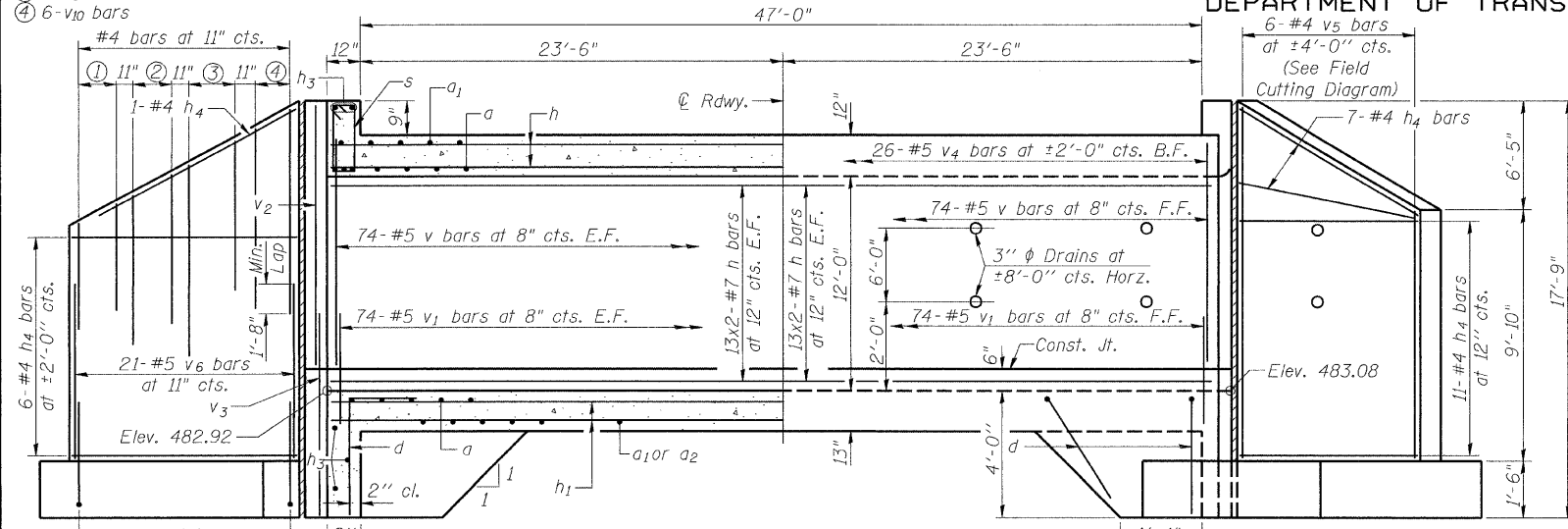


STATE OF ILLINOIS
DEPARTMENT OF TRANSPORTATION

- ① 3-v₇ bars
- ② 6-v₈ bars
- ③ 6-v₉ bars
- ④ 6-v₁₀ bars

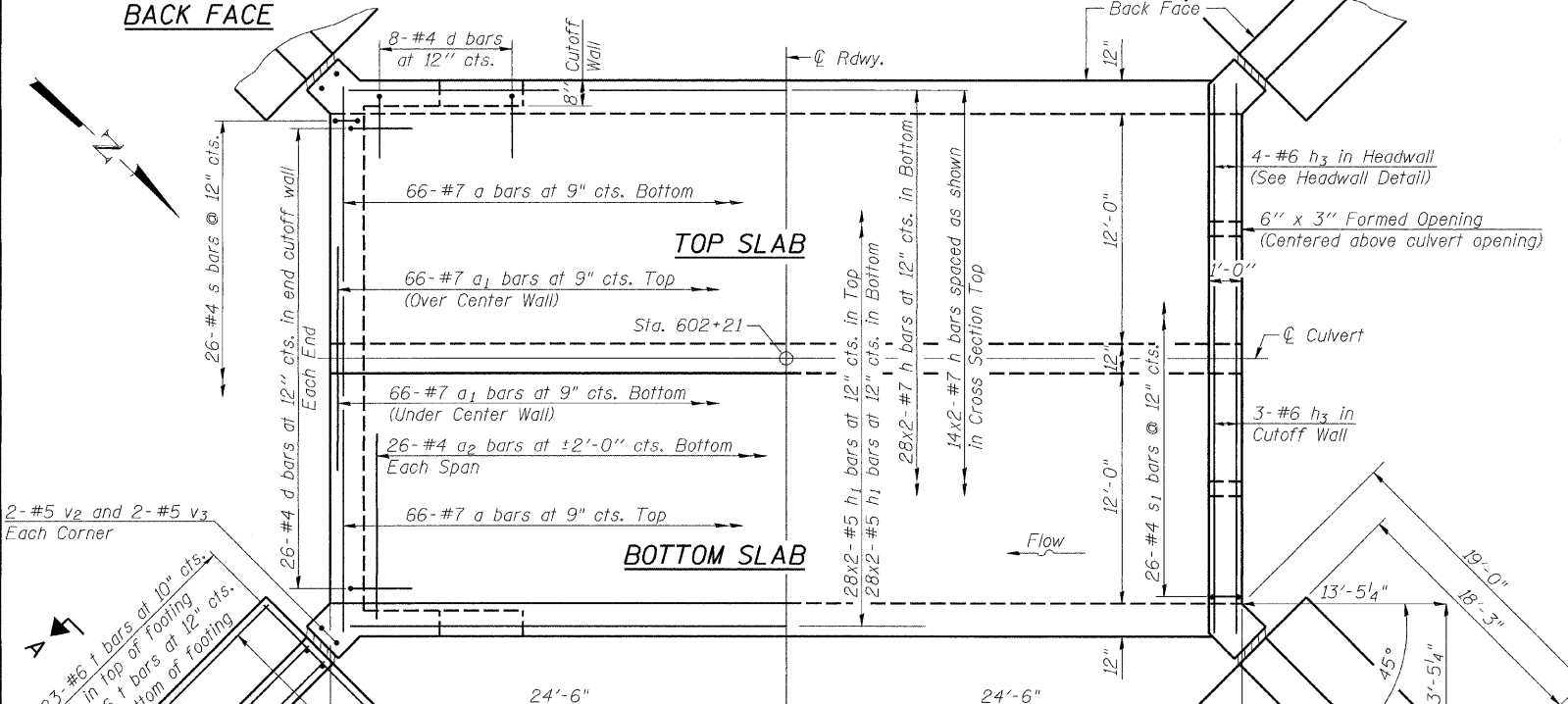


HALF LONG SECTION
Showing bars in Center Wall

HALF ELEVATION
Showing bars in Outside Wall

REINFORCEMENT FRONT FACE
Along Inside Face

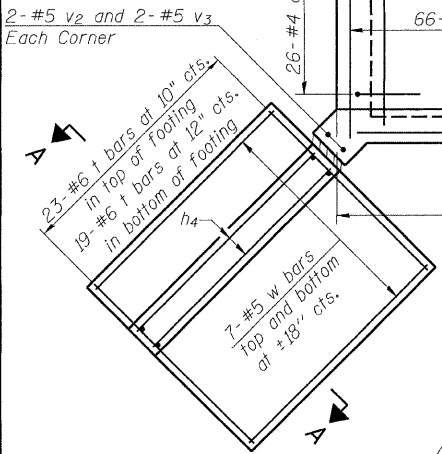
REINFORCEMENT BACK FACE



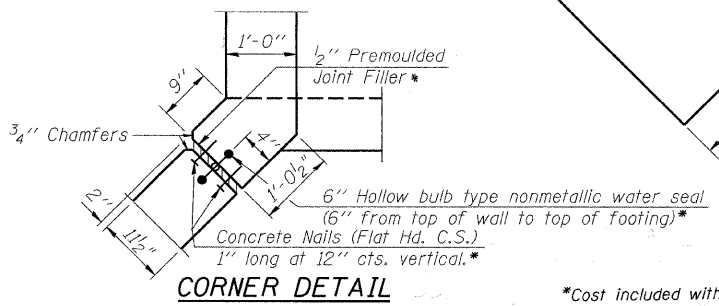
TOP SLAB

BOTTOM SLAB

PLAN

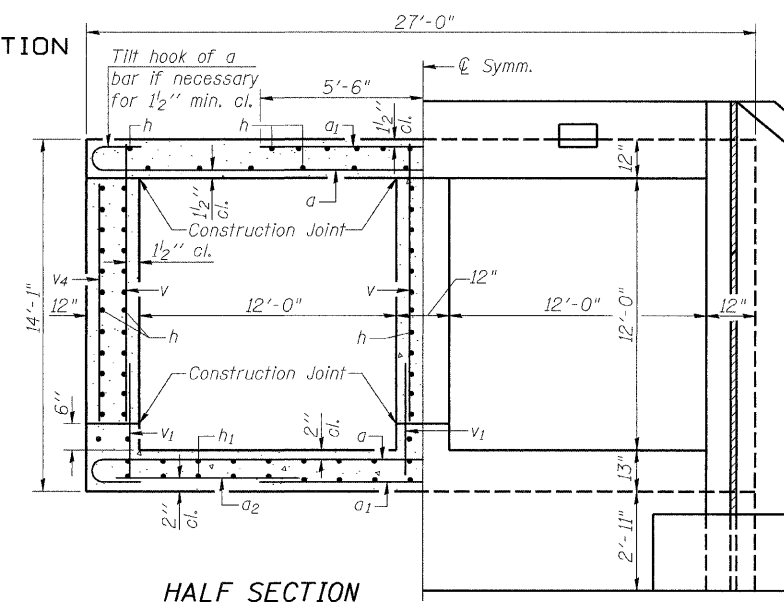


HEADWALL DETAIL
(D/S SHOWN - U/S SIMILAR)



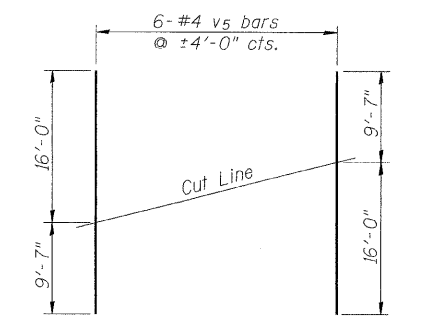
CORNER DETAIL

*Cost included with Concrete Box Culverts.



HALF SECTION THRU BARREL

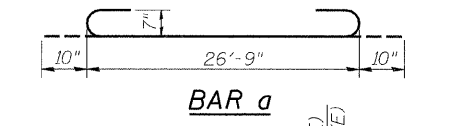
HALF END ELEVATION



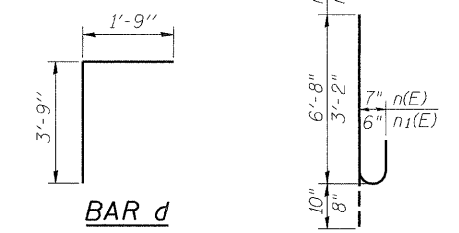
FIELD CUTTING DIAGRAM
Order bars full length. Cut to fit as shown and use remainder of bars in other wingwall.

BILL OF MATERIAL

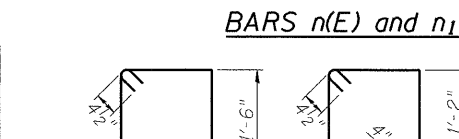
Bar	No.	Size	Length	Shape
a	132	#7	28'-5"	[U]
a ₁	132	#7	11'-0"	[U]
a ₂	52	#4	10'-8"	[U]
d	84	#4	5'-6"	[L]
h	240	#7	25'-9"	[—]
h ₁	112	#5	25'-3"	[—]
h ₃	14	#6	26'-9"	[—]
h ₄	100	#4	18'-0"	[—]
n(E)	80	#7	7'-6"	[U]
n ₁ (E)	84	#6	3'-10"	[U]
s	26	#4	5'-3"	[□]
s ₁	26	#4	5'-1"	[□]
t	168	#6	8'-10"	[—]
v	296	#5	12'-3"	[—]
v ₁	296	#5	2'-7"	[—]
v ₂	8	#5	13'-1"	[—]
v ₃	8	#5	6'-8"	[—]
v ₄	52	#5	11'-4"	[—]
v ₅	12	#4	25'-7"	[—]
v ₆	84	#5	7'-0"	[—]
v ₇	12	#4	5'-0"	[—]
v ₈	24	#4	6'-11"	[—]
v ₉	24	#4	8'-10"	[—]
v ₁₀	24	#4	10'-9"	[—]
w	56	#5	18'-0"	[—]
Concrete Box Culverts		Cu. Yd.	246.1	
Reinforcement Bars, Epoxy Coated		Pound	1720	
Reinforcement Bars		Pound	38770	



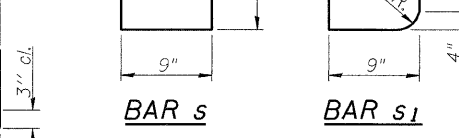
BAR a



BAR d



BARS n(E) and n₁(E)



BAR s

BAR s₁

MINIMUM BAR LAP

- (Barrels)
- #5 bar = 1'-8"
- #6 bar = 2'-0"
- #7 bar = 2'-9"
- (Wingwalls)
- #4 bar = 1'-8"
- #5 bar = 2'-2"

Notes:
Reinforcement bars designated (E) shall be epoxy coated.
Bars indicated thus 12x4-#5 etc. indicates 12 lines of bars with 4 lengths per line.

STRUCTURE DETAILS

FAU-8324 (TRIMBLE ROAD) OVER UNNAMED STREAM
SECTION (21, BY) B-1
CRAWFORD COUNTY
STATION 602+21
STRUCTURE NO. 017-2014

DESIGNED -	DCS
CHECKED -	KWB
DRAWN -	REZ
CHECKED -	KWB

SHEET NO. 3 5 SHEETS	F.A.U. RTE. 8324	SECTION (21, BY) B-1	COUNTY CRAWFORD	TOTAL SHEETS -	SHEET NO. 12
	FED. ROAD DIST. NO. - ILLINOIS FED. AID PROJECT			CONTRACT NO. 74104	

