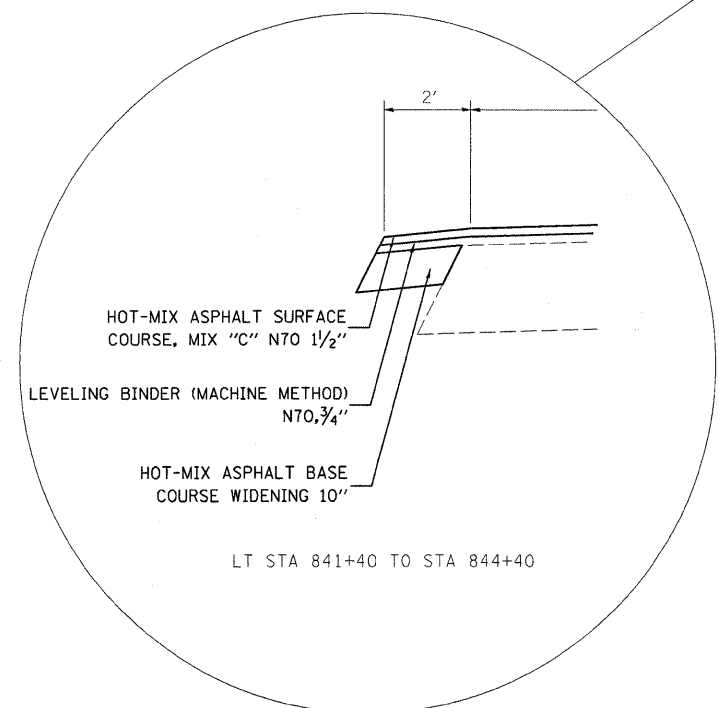
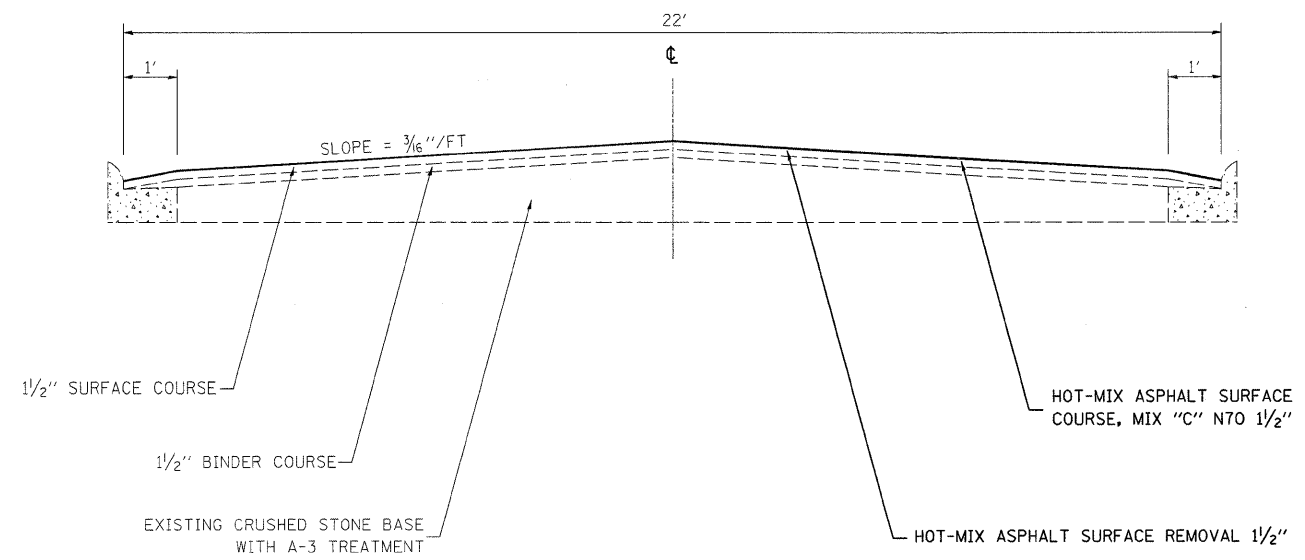


STA 707+50 TO STA 1236+70
 STA 1238+11 TO STA 1247+37
 STA 1248+88 TO STA 1296+07
 STA 1300+27 TO STA 1337+64
 STA 1345+14 TO STA 1358+84



LT STA 841+40 TO STA 844+40



INLAY STA 1358+84 TO STA 1365+05

FILE NAME =
 c:\pwwork\pwwid\TEASLEYCK\d0123166\07

USER NAME = teasleyck
 74371-sht-typical.dgn
 PLOT SCALE = 50,0000 ' / IN.
 PLOT DATE = 12/2/2009

DESIGNED -
 DRAWN -
 CHECKED -
 DATE -

REVISED -
 REVISED -
 REVISED -
 REVISED -

**STATE OF ILLINOIS
 DEPARTMENT OF TRANSPORTATION**

SCALE: SHEET NO. OF SHEETS STA. TO STA.

TYPICALS

F.A.P. RTE.	SECTION	COUNTY	TOTAL SHEETS	SHEET NO.
828	(106.107)RS-2	Clay	9	4
CONTRACT NO. 74371			ILLINOIS FED. AID PROJECT	