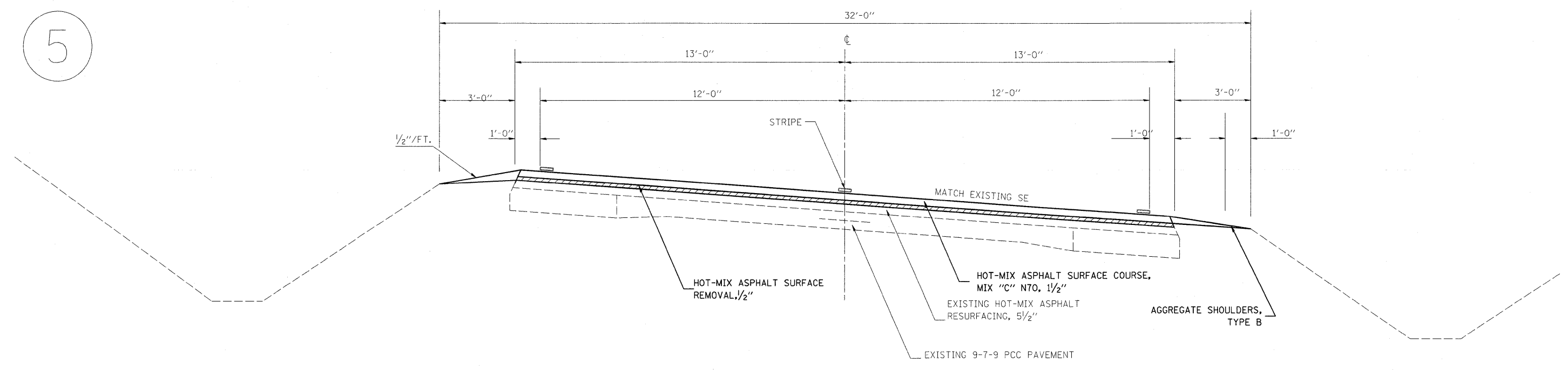
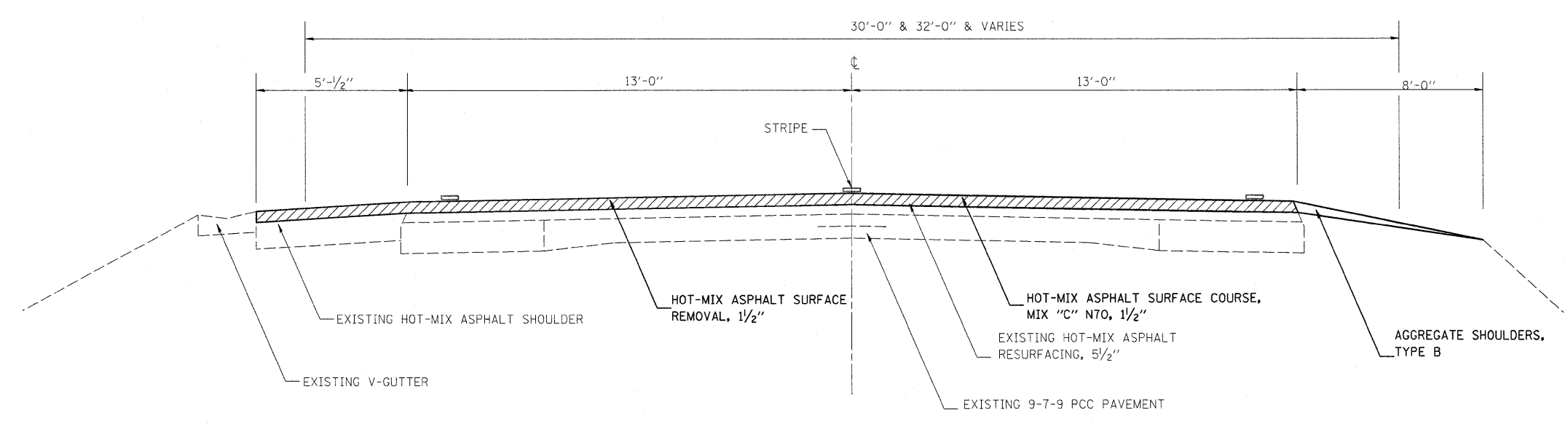


5



- ④ STA 35+20.31 TO STA 43+84.75 ④
- ④ STA 73+66.67 TO STA 85+53.30 ④
- ④ STA 132+06.69 TO STA 139+70.95 BK = STA 142+70.95 AH ④
- ⑧ STA 273+00.00 TO STA 275+84.09 ④

6



④ STA 103+00 TO STA 106+77.5 ⑦

FILE NAME =
c:\pwork\pwidot\TEASLEYCK\d0147075\d

USER NAME = teasleyck
74406-shr-typicals.dgn
PLOT SCALE = 50.0000' / IN.
PLOT DATE = 12/9/2009

DESIGNED -
DRAWN -
CHECKED -
DATE -

REVISED -
REVISED -
REVISED -
REVISED -

**STATE OF ILLINOIS
DEPARTMENT OF TRANSPORTATION**

TYPICALS
SCALE: SHEET NO. OF SHEETS STA. TO STA.

F.A.P. RTE. 75B	SECTION 3RS-5, (4,5)RS-2	COUNTY Moultrie	TOTAL SHEETS 25	SHEET NO. 6
CONTRACT NO. 74406				
ILLINOIS FED. AID PROJECT				