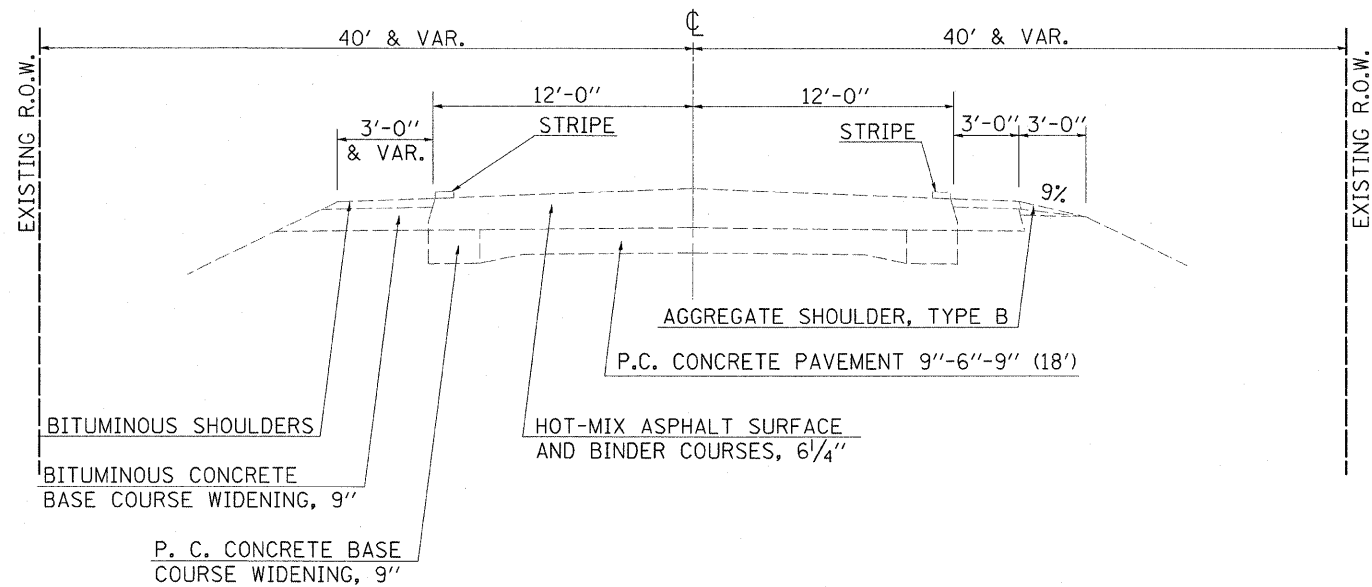


EXISTING TYPICAL CROSS SECTION

STATION	TO	STATION
845+28		846+81
847+85		848+35
PAVING OMISSION		
846+81		847+85

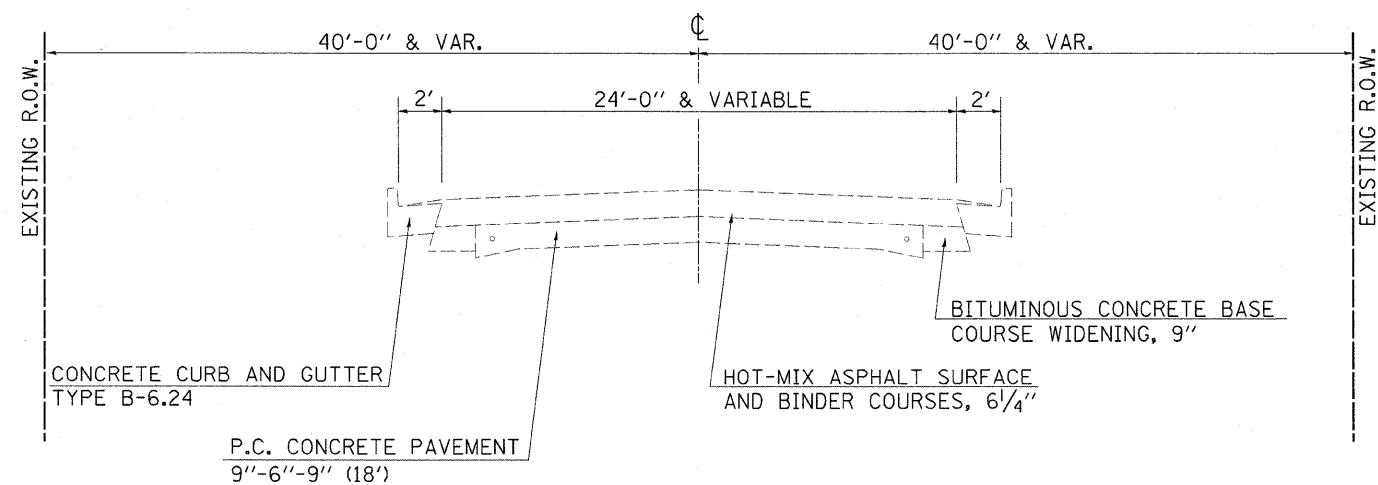


BITUMINOUS SHOULDER		
STATION	STATION	WIDTH
RT/LT 845+28 TO RT/LT 846+81		3'
RT/LT 847+85 TO RT/LT 848+35		3'

EXISTING TYPICAL CROSS SECTION

STATION	TO	STATION
885+69		887+87

INTERSECTION OF IL. RTE. 49 AND IL. RTE. 16



FILE NAME =	USER NAME = swartzw	DESIGNED -	REVISED -	STATE OF ILLINOIS DEPARTMENT OF TRANSPORTATION	TYPICAL CROSS SECTIONS			F.A.P. RTE.	SECTION	COUNTY	TOTAL SHEETS	SHEET NO.	
c:\pwork\pwork\swartzw\d0147717\0774	H18-sht-typicals.dgn	DRAWN -	REVISED -		SCALE: NA	SHEET NO. 2 OF 4 SHEETS	STA.	TO STA.	832	4RS-1, 114RS-2	COLES	22	5
	PLOT SCALE = 50.0000 "/td> <td>CHECKED -</td> <td>REVISED -</td> <td colspan="8" style="text-align: right;">CONTRACT NO. 74418</td>	CHECKED -	REVISED -		CONTRACT NO. 74418								
	PLOT DATE = 11/24/2009	DATE -	REVISED -		ILLINOIS FED. AID PROJECT								