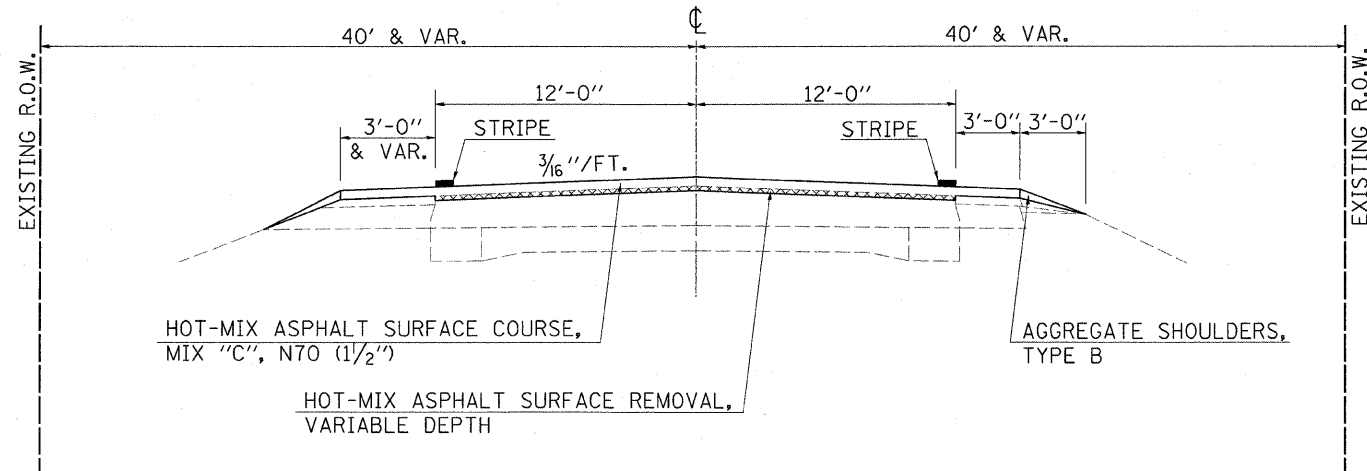


PROPOSED TYPICAL CROSS SECTION

STATION	TO	STATION
845+28		846+81
847+85		848+35

PAVING OMISSION	
846+81	847+85

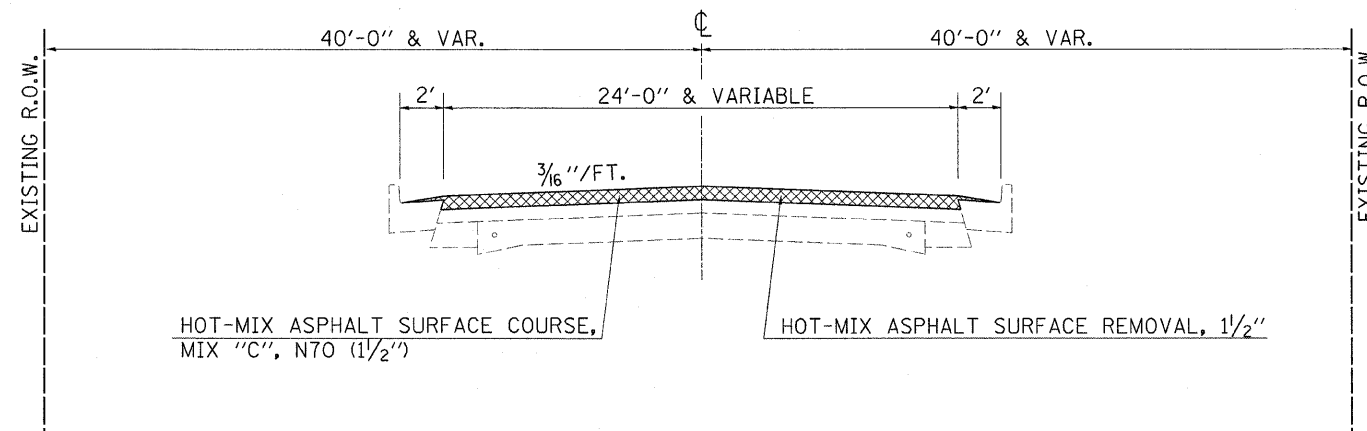


BITUMINOUS SHOULDER		
STATION	STATION	WIDTH
RT/LT 845+28 TO RT/LT 846+81		3'
RT/LT 847+85 TO RT/LT 848+35		3'

PROPOSED TYPICAL CROSS SECTION

STATION	TO	STATION
885+69		887+87

INTERSECTION OF IL. RTE. 49 AND IL. RTE. 16



FILE NAME =	USER NAME = swartzw	DESIGNED -	REVISED -	STATE OF ILLINOIS DEPARTMENT OF TRANSPORTATION	TYPICAL CROSS SECTIONS	F.A.P. RTE.	SECTION	COUNTY	TOTAL SHEETS	SHEET NO.	
ci:\pw_work\paw\dot\swartzw\d0147717\077418-shr-typicals.dgn		DRAWN -	REVISED -			832	4RS-1, 114RS-2	COLES	22	7	
PLOT SCALE = 50.0000' / IN.		CHECKED -	REVISED -			CONTRACT NO. 74418					
PLOT DATE = 11/24/2009		DATE -	REVISED -			ILLINOIS FED. AID PROJECT					
					SCALE: NA	SHEET NO. 4 OF 4 SHEETS		STA.	TO STA.		