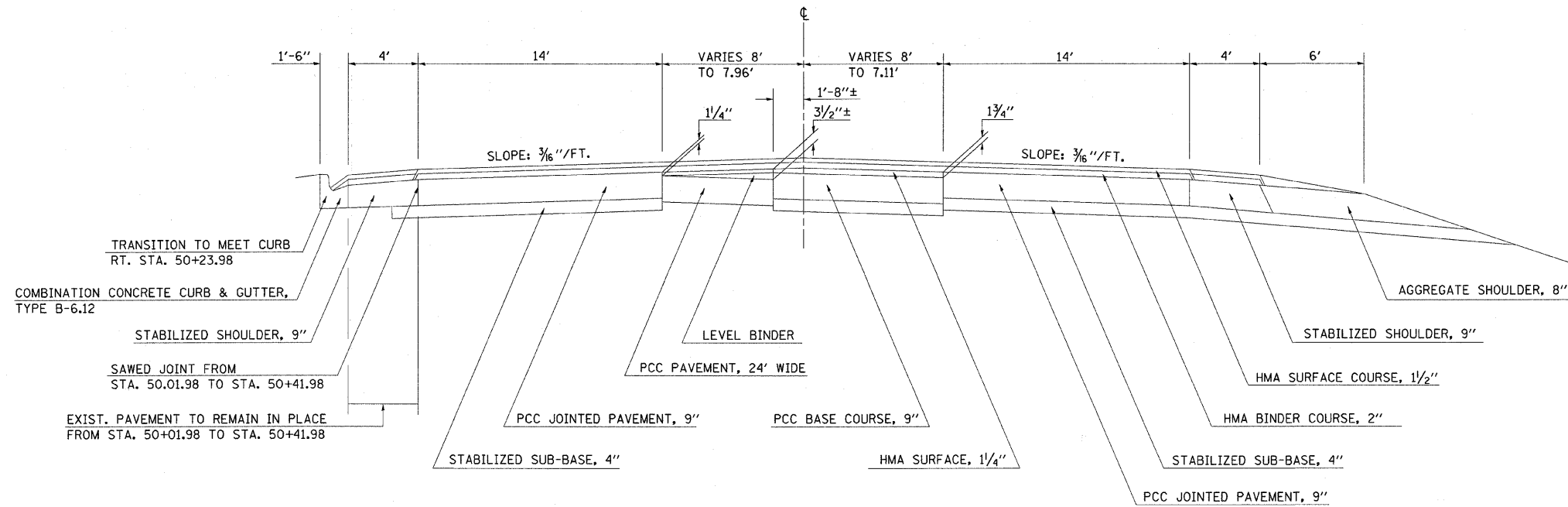


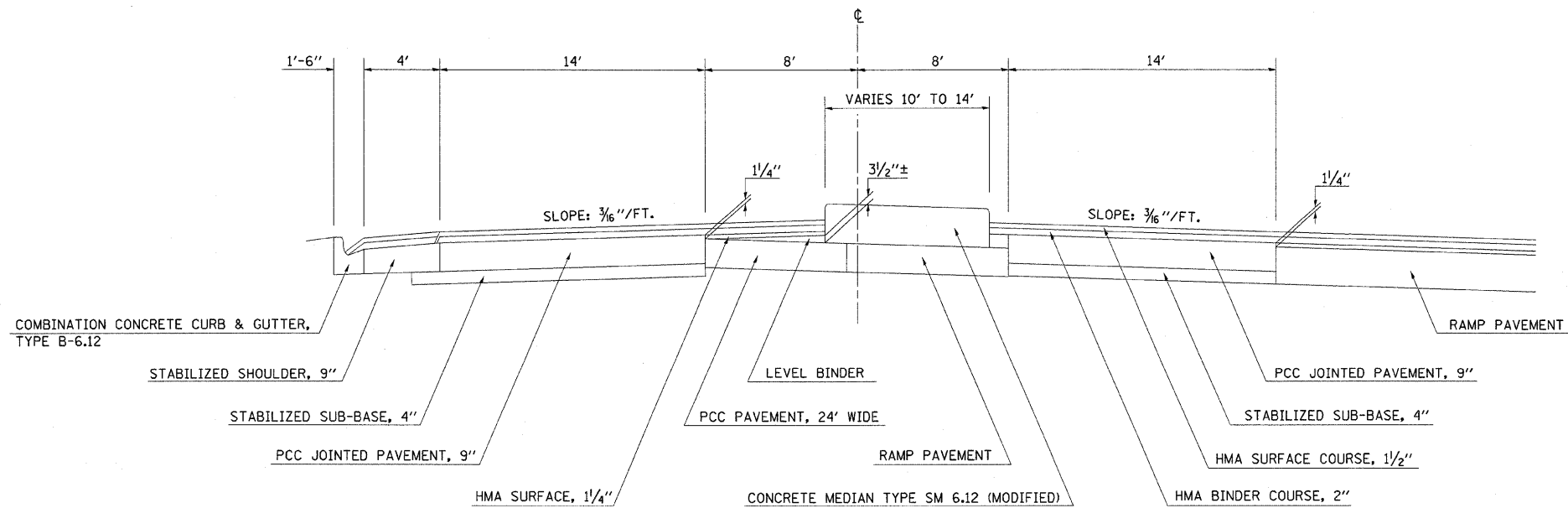
① EXISTING TYPICAL CROSS SECTION

STA. 50+01.98 TO STA. 51+23.74



② EXISTING TYPICAL CROSS SECTION

STA. 51+23.74 TO STA. 51+97.87



FILE NAME =	USER NAME = swartzrw	DESIGNED -	REVISED -	STATE OF ILLINOIS DEPARTMENT OF TRANSPORTATION	TYPICAL CROSS SECTIONS			F.A.P. RTE.	SECTION	COUNTY	TOTAL SHEETS	SHEET NO.
c:\pwwork\pwwid01\SWARTZRW\d8168672\d7	4438-shr-typ0101.dgn	DRAWN -	REVISED -		328	(12R)RS-1	EFFINGHAM	54	4			
PLOT SCALE = 28.0000 ' / IN.	CHECKED -	REVISED -	SCALE: N.A.		SHEET NO. 1 OF 5 SHEETS	STA.	TO STA.	CONTRACT NO. 74430				
PLOT DATE = 12/11/2009	DATE -	REVISED -	ILLINOIS FED. AID PROJECT									