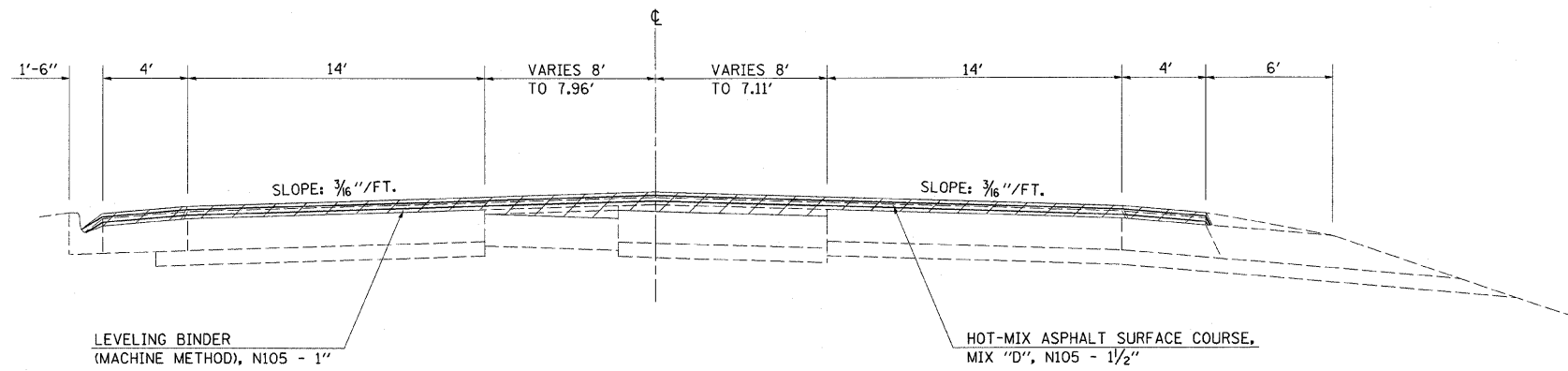
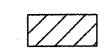


① PROPOSED TYPICAL CROSS SECTION

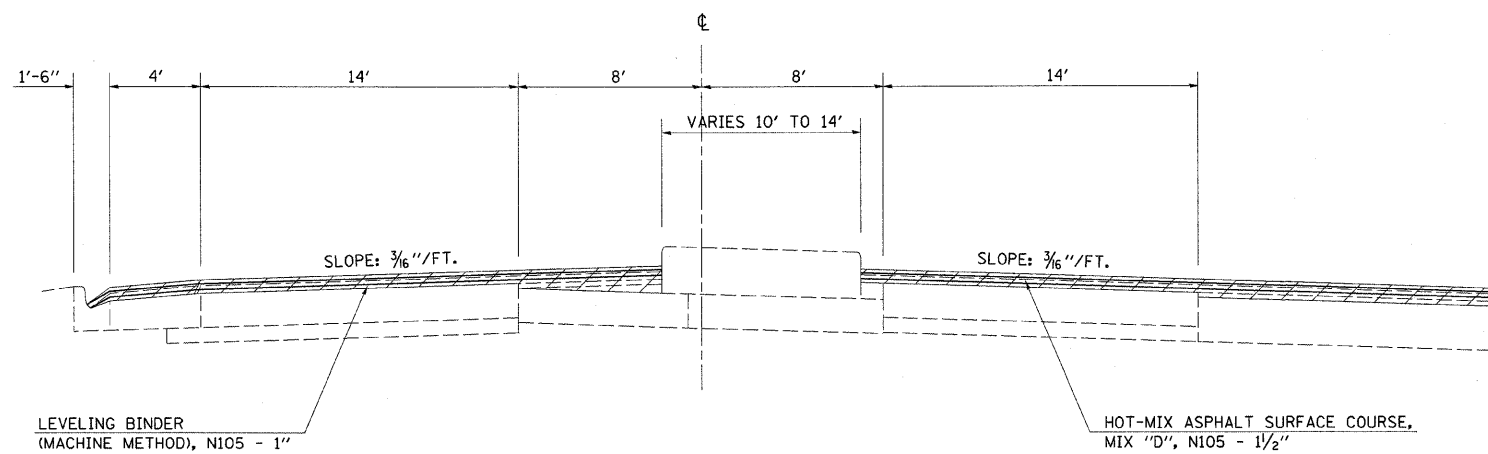
STA. 50+01.98 TO STA. 51+23.74

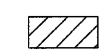


 HOT-MIX ASPHALT SURFACE REMOVAL COMPLETE

② PROPOSED TYPICAL CROSS SECTION

STA. 51+23.74 TO STA. 51+97.87



 HOT-MIX ASPHALT SURFACE REMOVAL COMPLETE

FILE NAME =	USER NAME = swartzrw	DESIGNED -	REVISED -	<b>STATE OF ILLINOIS DEPARTMENT OF TRANSPORTATION</b>	<b>TYPICAL CROSS SECTIONS</b>			F.A.P. RTE.	SECTION	COUNTY	TOTAL SHEETS	SHEET NO.	
ca:\pwwork\pww\DOT\SWARTZRW\40168672\d7	4430-shr-typical.dgn	DRAWN -	REVISED -		SCALE: N.A.	SHEET NO. 1 OF 5 SHEETS	STA.	TO STA.	328	(12R)RS-1	EFFINGHAM	54	9
	PLOT SCALE = 20,000 ' / IN.	CHECKED -	REVISED -										
	PLOT DATE = 12/11/2009	DATE -	REVISED -										
ILLINOIS FED. AID PROJECT													