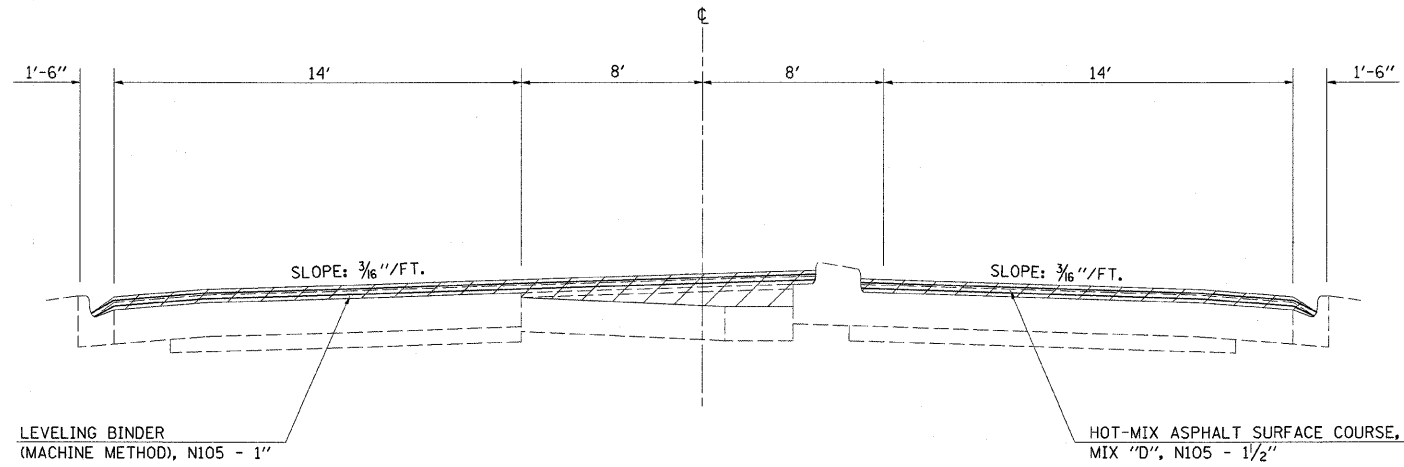
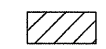


③ PROPOSED TYPICAL CROSS SECTION

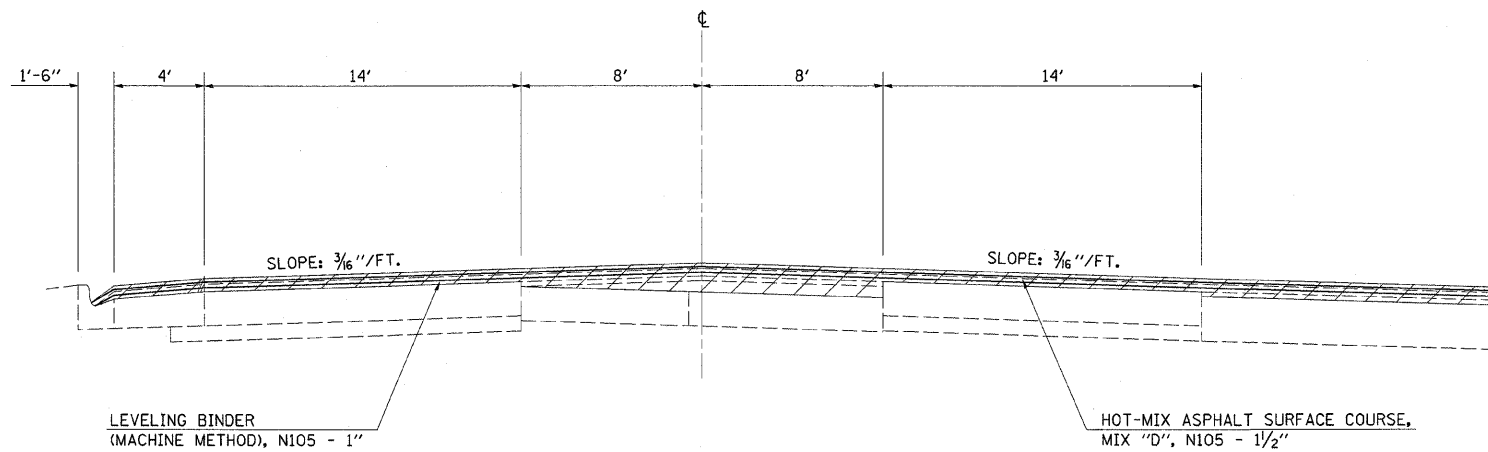
STA. 51+97.87 TO STA. 55+42.02

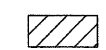


 HOT-MIX ASPHALT SURFACE
REMOVAL COMPLETE

④ PROPOSED TYPICAL CROSS SECTION

STA. 52+15.12 TO STA. 52+97.88



 HOT-MIX ASPHALT SURFACE
REMOVAL COMPLETE

FILE NAME =	USER NAME = swartzw	DESIGNED -	REVISED -	STATE OF ILLINOIS DEPARTMENT OF TRANSPORTATION	TYPICAL CROSS SECTIONS			F.A.P. RTE.	SECTION	COUNTY	TOTAL SHEETS	SHEET NO.
cr:\pw\work\p\w\DOT\SWARTZRW\d0168672\d7	4430-shr-typical.dgn	DRAWN -	REVISED -		328	(12R)RS-1	EFFINGHAM	54	10			
	PLOT SCALE = 20.0000' / IN.	CHECKED -	REVISED -		CONTRACT NO. 74430							
	PLOT DATE = 12/11/2009	DATE -	REVISED -		ILLINOIS FED. AID PROJECT							
				SCALE: N.A.	SHEET NO. 2 OF 5 SHEETS	STA.	TO STA.					