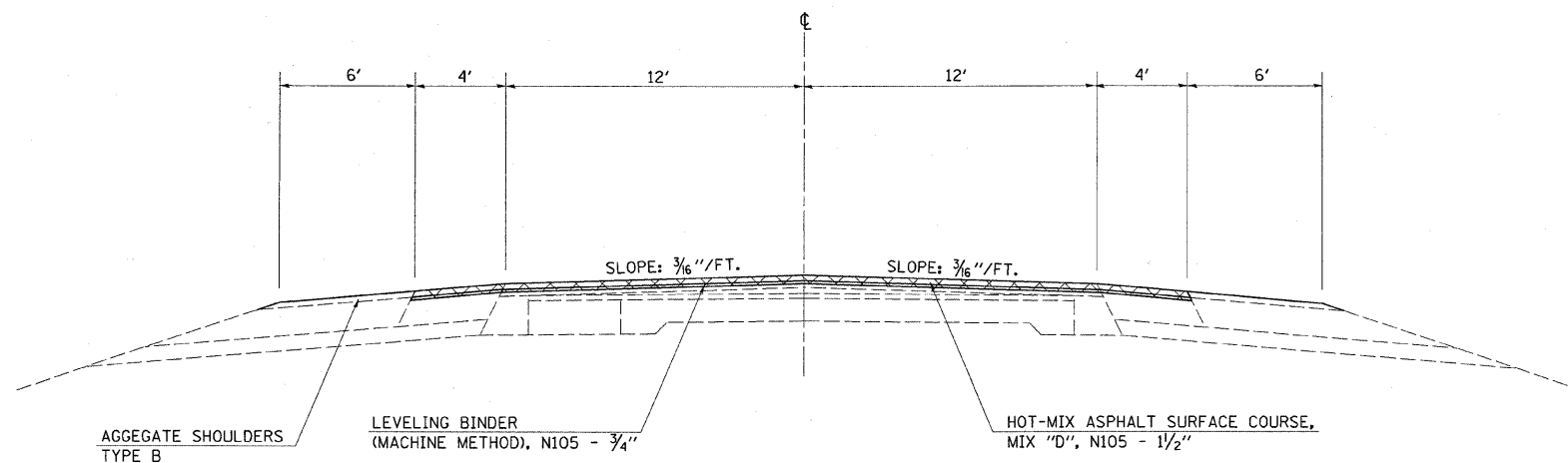
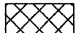


⑨ PROPOSED TYPICAL CROSS SECTION

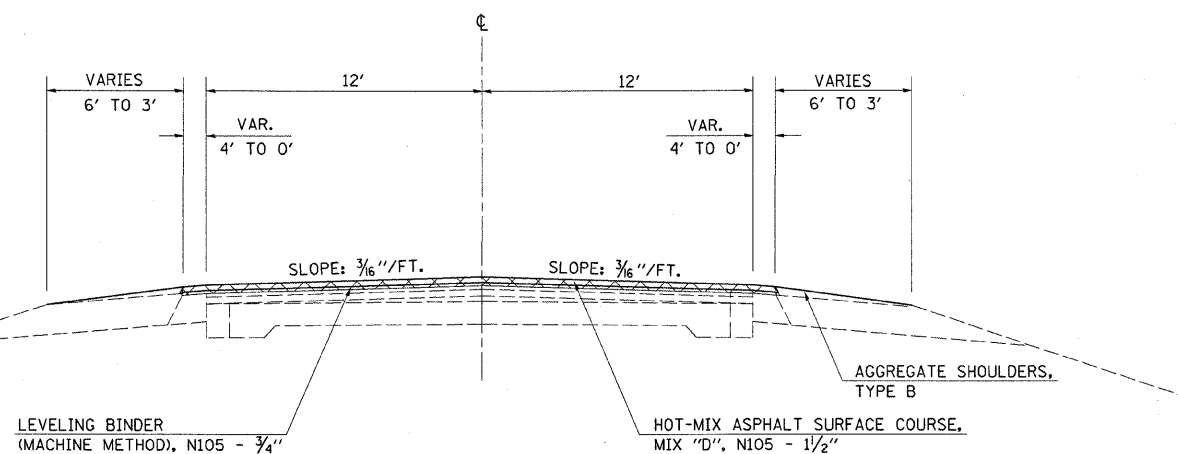
STA. 72+24.59 TO STA. 82+04.31
 STA. 72+18.89 TO STA. 82+04.31
 VARIABLE WIDTH ENDS STA. 81+60.85

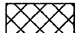


 HOT-MIX ASPHALT REMOVAL, 2 1/4"

⑩ PROPOSED TYPICAL CROSS SECTION

STA. 82+04.31 TO STA. 82+65.95 (BK) = STA. 93+00.00 (AH)
 STA. 93+00.00 TO STA. 95+25.00



 HOT-MIX ASPHALT REMOVAL, 2 1/4"

FILE NAME =	USER NAME = swartzw	DESIGNED -	REVISED -	STATE OF ILLINOIS DEPARTMENT OF TRANSPORTATION	TYPICAL CROSS SECTIONS			F.A.P. RTE.	SECTION	COUNTY	TOTAL SHEETS	SHEET NO.
ct:\pw_work\PWIDOT\SWARTZRW\d0168672\d7	4430-sh-typical.dgn	DRAWN -	REVISED -		32B	(12R)RS-1	EFFINGHAM	54	13			
PLOT SCALE = 20,0000 ' / IN.	CHECKED -	REVISED -	REVISED -		CONTRACT NO. 74430			ILLINOIS FED. AID PROJECT				
PLOT DATE = 12/11/2009	DATE -	REVISED -	REVISED -		SCALE: N.A.	SHEET NO. 5 OF 5 SHEETS	STA.	TO STA.				