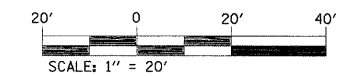
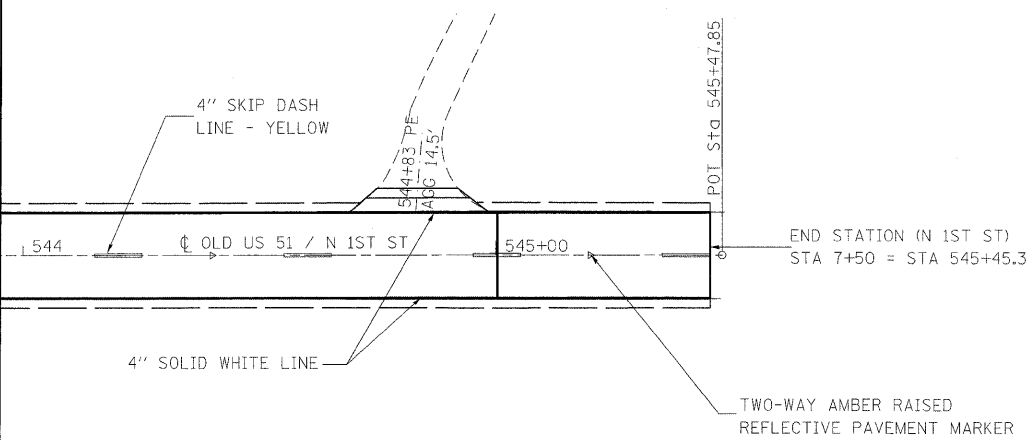


MATCHLINE STA 6+00 = STA 543+95.12



FILE NAME =	USER NAME = tharp1	DESIGNED - R. THARP	REVISED -
c:\pwork\pwwid\THARPRL\dms52424\087	132-shr-pmk3-n1st1.dgn	DRAWN - R. THARP	REVISED -
	PLOT SCALE = 20.0000 1 / IN.	CHECKED - A. MUEHLFELD	REVISED -
	PLOT DATE = 12/10/2009	DATE - 12/8/2009	REVISED -

**STATE OF ILLINOIS
DEPARTMENT OF TRANSPORTATION**

PAVEMENT MARKING /SIGNING SHEETS

DR&SB1 RTE.	SECTION	COUNTY	TOTAL SHEETS	SHEET NO.
322&2	95-AC & 32B-1	WASHINGTON	63	44
CONTRACT NO. 76132				

SCALE: 1"=20' SHEET NO. 9 OF 9 SHEETS STA 6+00 TO STA 7+50

ILLINOIS FED. AID PROJECT