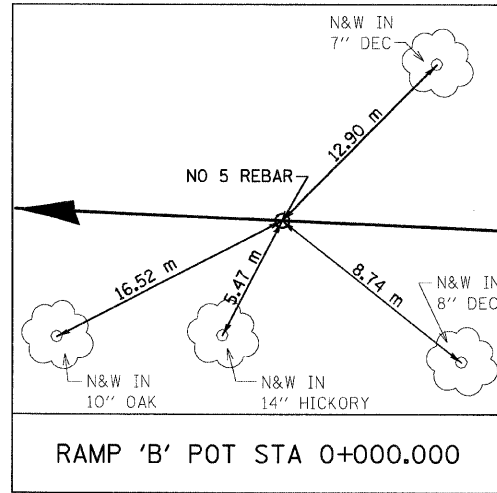
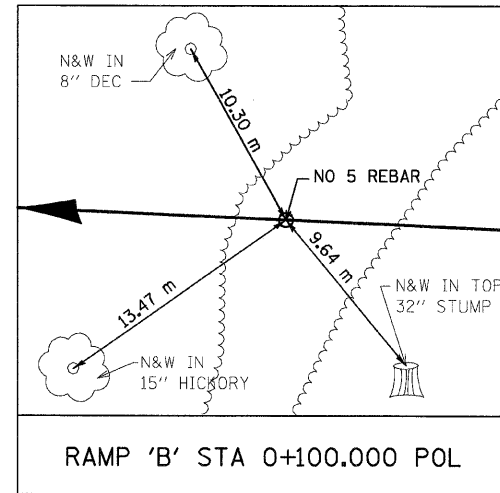


F.A.P. RTE.	SECTION	COUNTY	TOTAL SHEETS	SHEET NO.
310	60-15, 60-15B	MADISON	474	38
STA.		TO STA.		
FED. ROAD DIST. NO.		ILLINOIS FED. AID PROJECT		
CONTRACT NO. 76323				



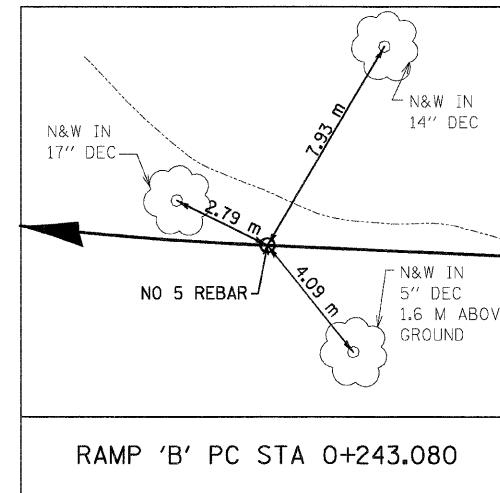
RAMP 'B' POT STA 0+000.000

N 254,990.1323 E 699,406.0501



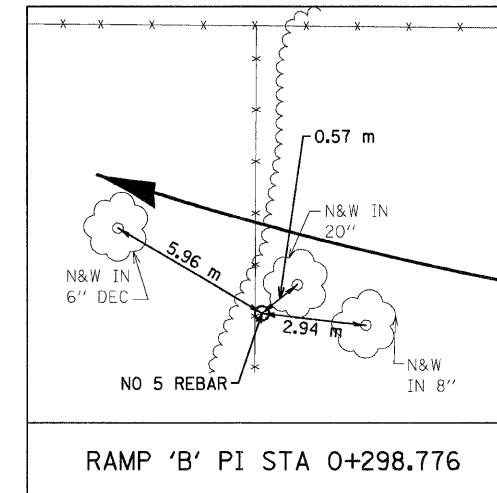
RAMP 'B' STA 0+100.000 POL

N 254,994.5582 E 699,306.1481



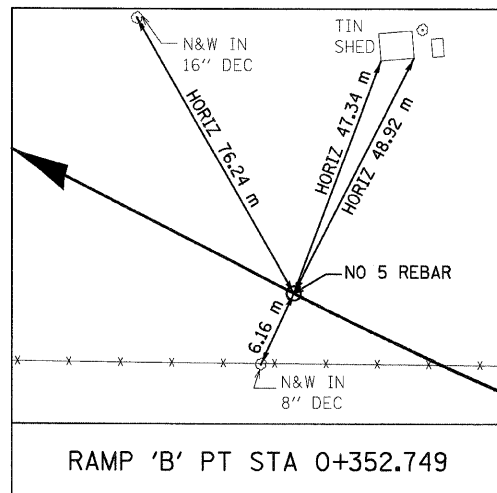
RAMP 'B' PC STA 0+243.080

N 255,000.8908 E 699,163.2083



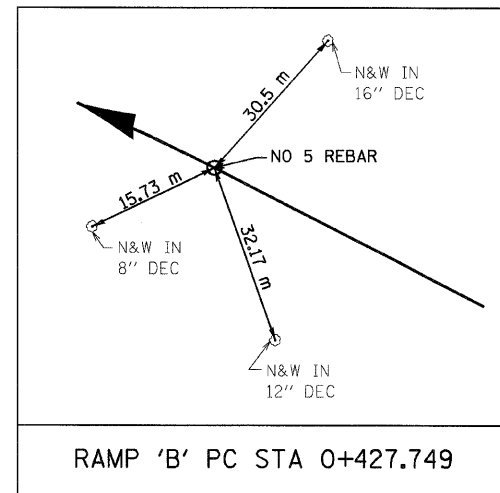
RAMP 'B' PI STA 0+298.776

N 255,003.3558 E 699,107.5671



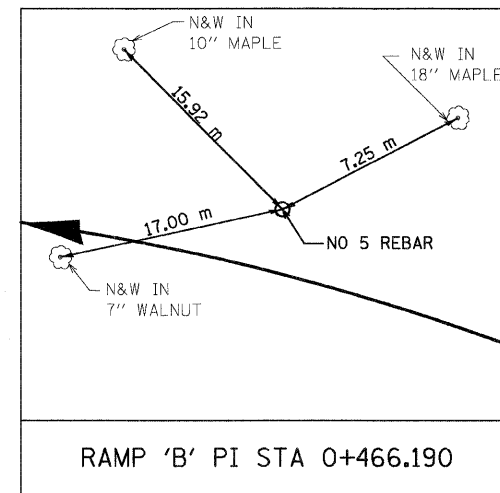
RAMP 'B' PT STA 0+352.749

N 255,028.7953 E 699,058.0207



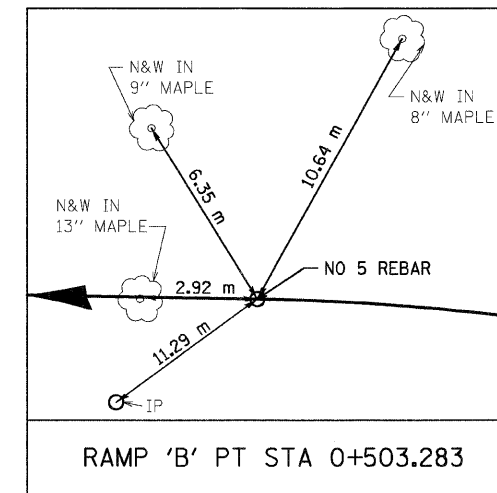
RAMP 'B' PC STA 0+427.749

N 255,063.0523 E 698,991.3013



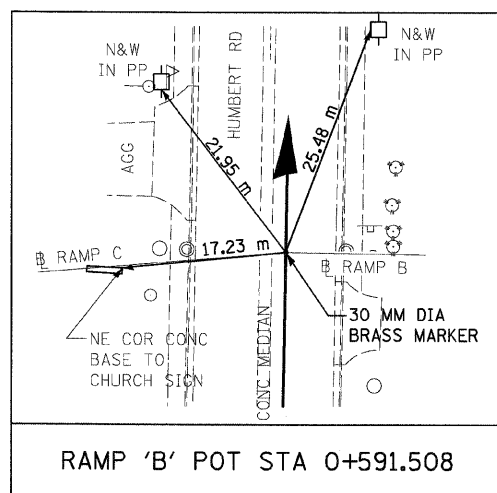
RAMP 'B' PI STA 0+466.190

N 255,080.6103 E 698,957.1052



RAMP 'B' PT STA 0+503.283

N 255,081.2473 E 698,918.6701



RAMP 'B' POT STA 0+591.508

N 255,082.7092 E 698,830.4566

NOTES:

- 1) DIMENSIONS LABELED "HORIZ" ARE HORIZONTAL PULLS.
- 2) DIMENSIONS NOT LABELED "HORIZ" ARE DIRECT PULLS.



(TYP ALL TIES THIS DWG)

REVISIONS	
NAME	DATE

ILLINOIS DEPARTMENT OF TRANSPORTATION
 HORIZONTAL CONTROL TIES
 FAP 310 (IL 255)
 SECTION 60-15
 MADISON COUNTY
 DRAWN BY CES
 CHECKED BY
 DATE