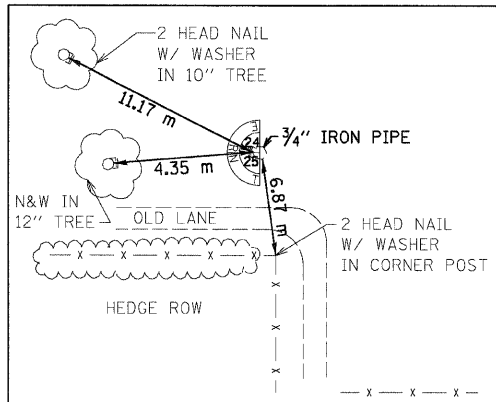
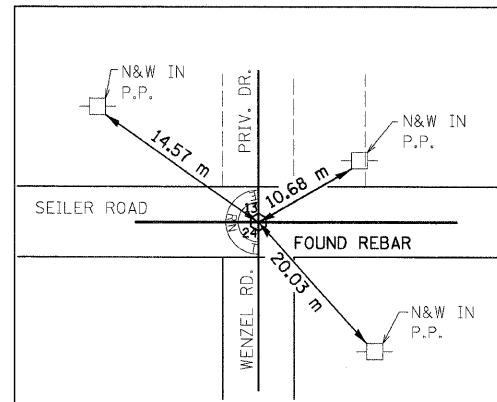


F.A.P. RTE.	SECTION	COUNTY	TOTAL SHEETS	SHEET NO.
310	60-15, 60-15B	MADISON	474	44
STA.		TO STA.		
FED. ROAD DIST. NO.		ILLINOIS FED. AID PROJECT		
CONTRACT NO. 76323				



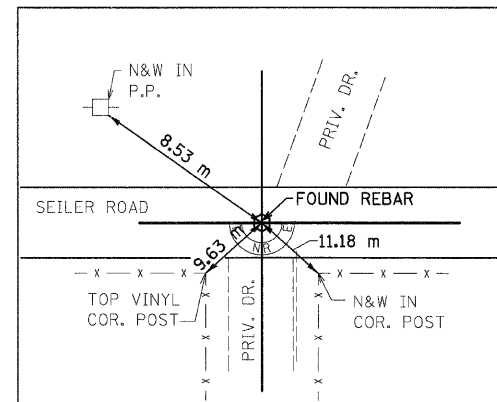
SE CORNER SECTION 24
NE CORNER SECTION 25

N 253,640.337 E 700,918.1282



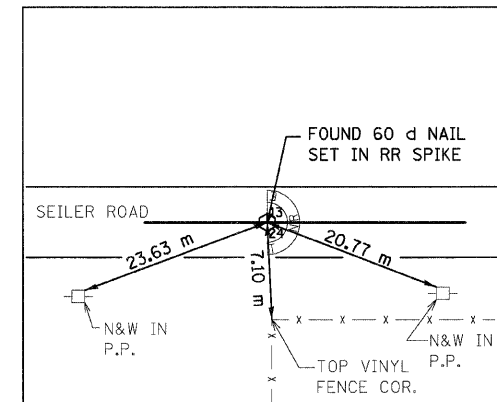
NE CORNER SECTION 24

N 255,262.2919 E 700,933.7386



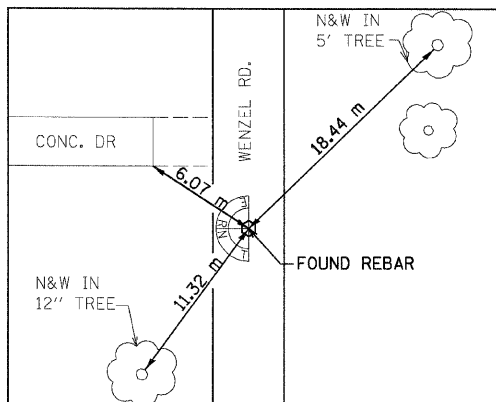
NORTH 1/4 CORNER SECTION 24

N 255,238.7902 E 700,091.0307



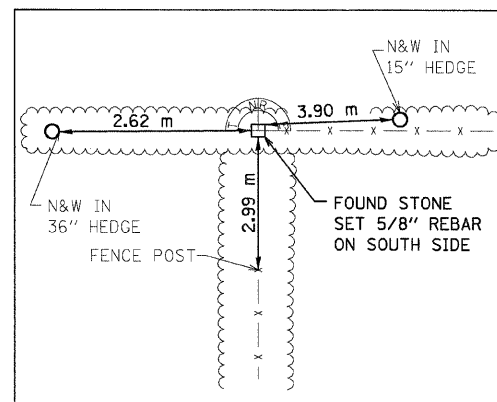
NW CORNER SECTION 24

N 255,222.6102 E 699,249.1922



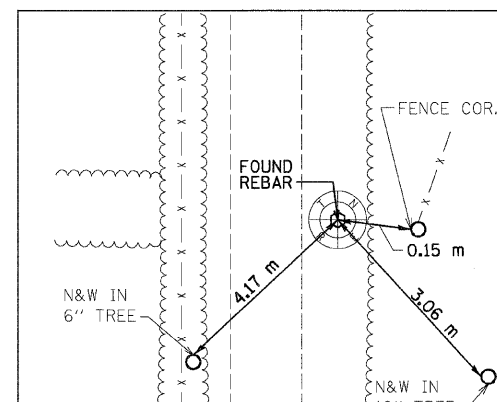
EAST 1/4 CORNER SECTION 24

N 254,452.7363 E 700,925.1417



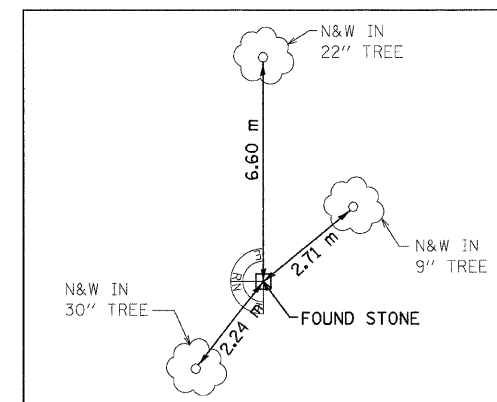
SOUTH 1/4 CORNER SECTION 24

N 253,619.5160 E 700,075.2311



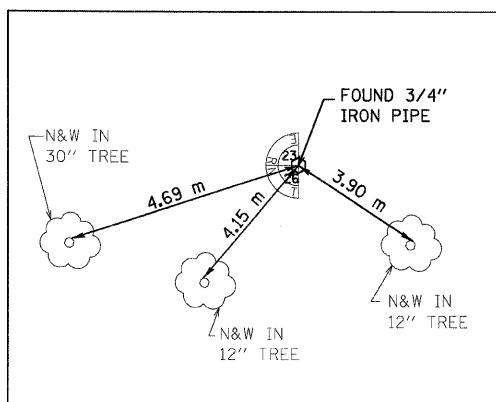
CENTER SECTION 24

N 254,429.0932 E 700,081.3198



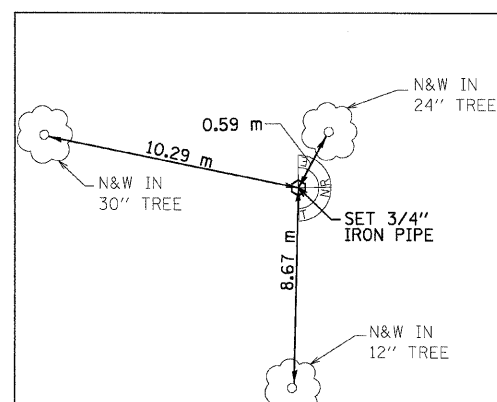
EAST 1/4 CORNER SECTION 25

N 253,157.4632 E 700,913.4030



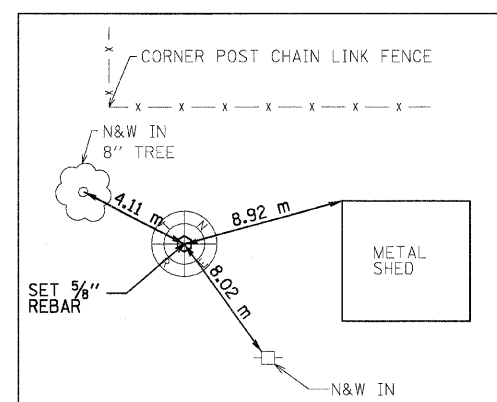
SE CORNER SECTION 23

N 253,599.3315 E 699,229.1951



WEST 1/4 CORNER SECTION 24

N 254,410.9679 E 699,239.4365



CENTER SECTION 23

N 254,420.6868 E 698,394.6957

NOTES:

- 1) DIMENSIONS LABELED "HORIZ" ARE HORIZONTAL PULLS.
- 2) DIMENSIONS NOT LABELED "HORIZ" ARE DIRECT PULLS.



(TYP ALL TIES THIS DWG)

REVISIONS	
NAME	DATE

ILLINOIS DEPARTMENT OF TRANSPORTATION
HORIZONTAL CONTROL TIES
FAP 310 (IL 255)
SECTION 60-15
MADISON COUNTY
DRAWN BY CES
CHECKED BY
DATE