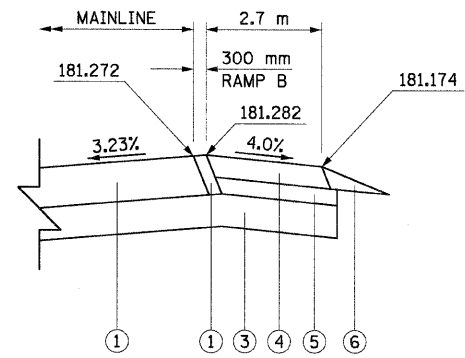


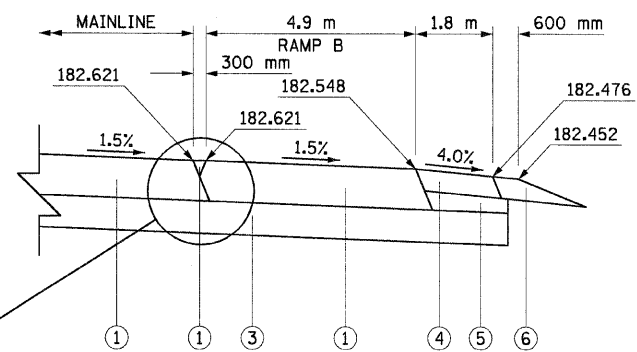
F.A.P. RTE.	SECTION	COUNTY	TOTAL SHEETS	SHEET NO.
310	60-15, 60-15B	MADISON	474	154
STA.		TO STA.		
FED. ROAD DIST. NO.		ILLINOIS FED. AID PROJECT		
CONTRACT NO. 76323				



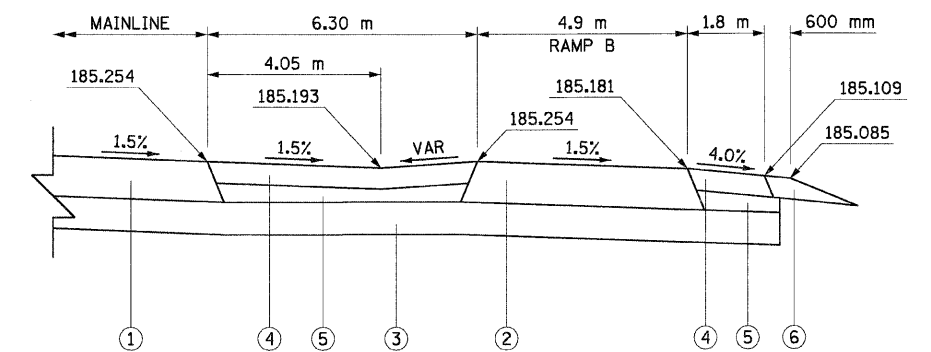
EXIT RAMP B SECTION A-A
STA 0+000.000

LEGEND

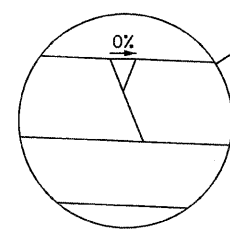
- ① HOT-MIX ASPHALT PAVEMENT (FULL-DEPTH), 390 mm
- ② HOT-MIX ASPHALT PAVEMENT (FULL-DEPTH), 400 mm
- ③ LIME STABILIZED SOIL MIXTURE, 300 mm
- ④ HOT-MIX ASPHALT SHOULDERS, 200 mm
- ⑤ SUBBASE GRANULAR MATERIAL, TYPE C, VARIABLE DEPTH (100 mm MINIMUM)
- ⑥ AGGREGATE SHOULDER, TYPE B, 200 mm



EXIT RAMP B SECTION B-B
STA 0+089.871



EXIT RAMP B SECTION C-C
STA 0+200.080



REVISIONS	
NAME	DATE

ILLINOIS DEPARTMENT OF TRANSPORTATION
RAMP B TERMINAL DETAILS
 FAP 310 (IL 255)
 SECTION 60-15
 MADISON COUNTY
 DRAWN BY EBB
 CHECKED BY
 DATE