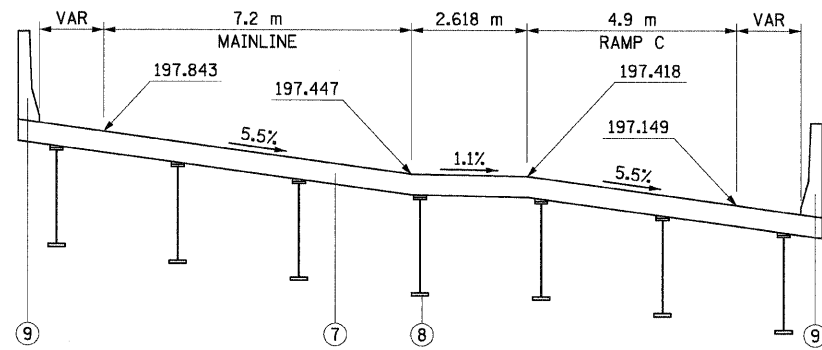
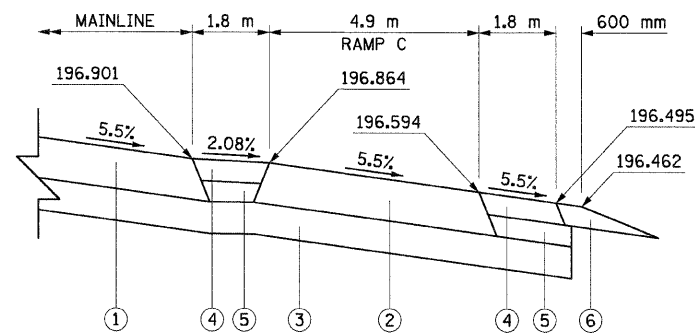


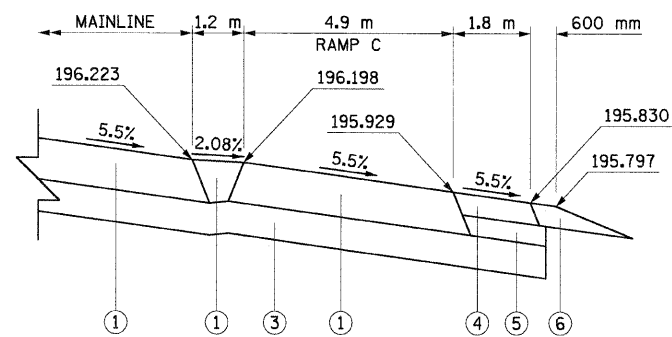
F.A.P. RTE.	SECTION	COUNTY	TOTAL SHEETS	SHEET NO.
310	60-15, 60-15B	MADISON	474	156
STA.		TO STA.		
FED. ROAD DIST. NO.		ILLINOIS FED. AID PROJECT		
CONTRACT NO. 76323				



ENTRANCE RAMP C SECTION A-A ON SN 060-0310 (FOR INFORMATION ONLY)  
STA 0+325.000



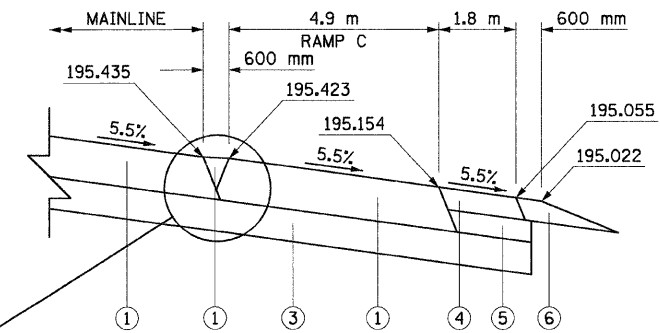
ENTRANCE RAMP C SECTION B-B  
STA 0+353.811



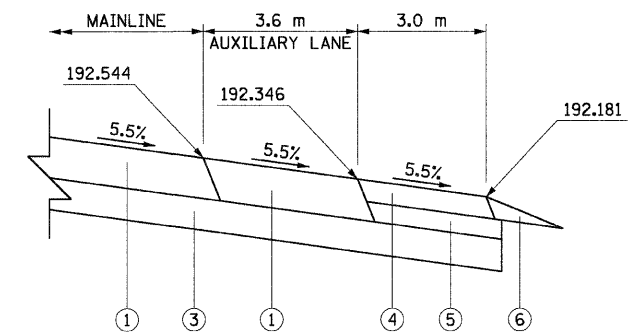
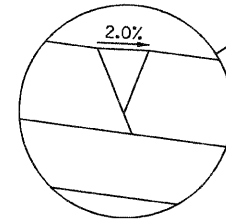
ENTRANCE RAMP C SECTION C-C  
STA 0+383.910

LEGEND

- ① HOT-MIX ASPHALT PAVEMENT (FULL-DEPTH), 390 mm
- ② HOT-MIX ASPHALT PAVEMENT (FULL-DEPTH), 400 mm
- ③ LIME STABILIZED SOIL MIXTURE, 300 mm
- ④ HOT-MIX ASPHALT SHOULDERS, 200 mm
- ⑤ SUBBASE GRANULAR MATERIAL, TYPE C, VARIABLE DEPTH (100 mm MINIMUM)
- ⑥ AGGREGATE SHOULDER, TYPE B, 200 mm
- ⑦ 195 mm CONCRETE DECK
- ⑧ STEEL PLATE GIRDERS
- ⑨ CONCRETE BRIDGE PARAPET



ENTRANCE RAMP C SECTION D-D  
STA 0+413.903



ENTRANCE RAMP C SECTION E-E  
STA 0+508.671

REVISIONS	
NAME	DATE

ILLINOIS DEPARTMENT OF TRANSPORTATION  
**RAMP C TERMINAL DETAILS**  
 FAP 310 (IL 255)  
 SECTION 60-15  
 MADISON COUNTY  
 DRAWN BY EBB  
 CHECKED BY  
 DATE