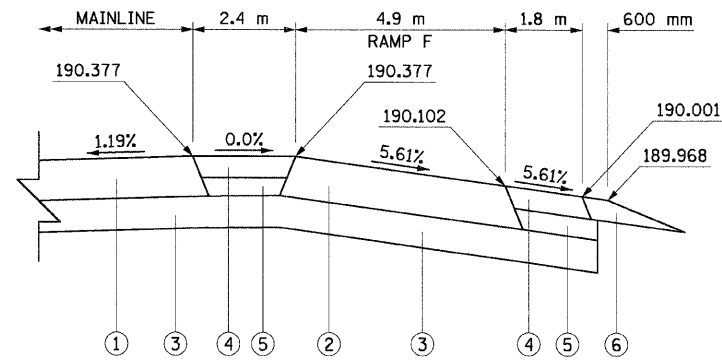
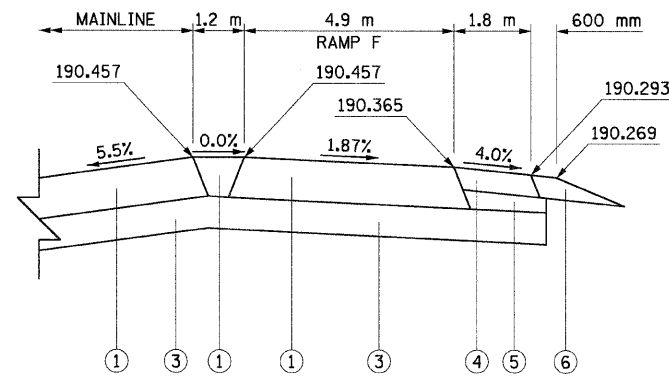


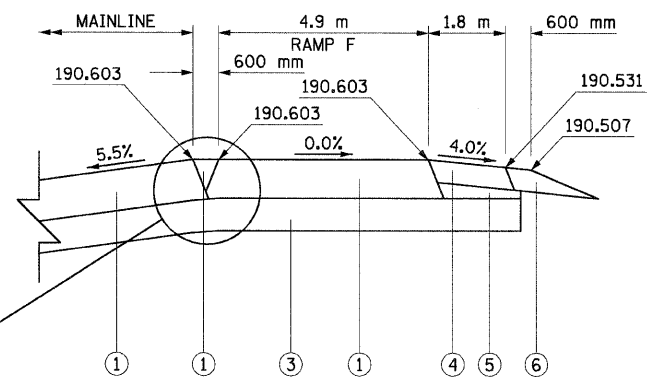
F.A.P. RTE.	SECTION	COUNTY	TOTAL SHEETS	SHEET NO.
310	60-15, 60-15B	MADISON	474	160
STA.		TO STA.		
FED. ROAD DIST. NO.		ILLINOIS FED. AID PROJECT		
CONTRACT NO. 76323				



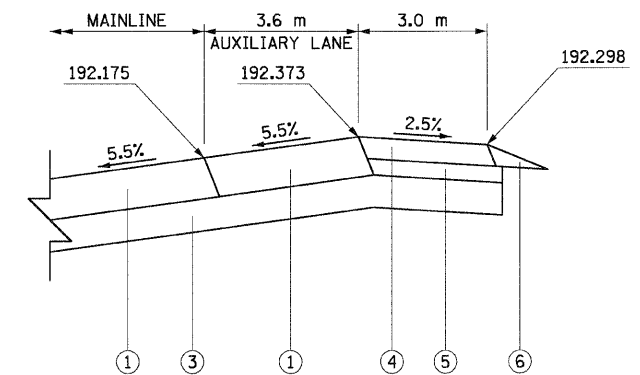
ENTRANCE RAMP F SECTION B-B  
STA 0+348.692



ENTRANCE RAMP F SECTION C-C  
STA 0+408.894



ENTRANCE RAMP F SECTION D-D  
STA 0+438.969



ENTRANCE RAMP F SECTION E-E  
STA 0+533.866

**LEGEND**

- ① HOT-MIX ASPHALT PAVEMENT (FULL-DEPTH), 390 mm
- ② HOT-MIX ASPHALT PAVEMENT (FULL-DEPTH), 400 mm
- ③ LIME STABILIZED SOIL MIXTURE, 300 mm
- ④ HOT-MIX ASPHALT SHOULDERS, 200 mm
- ⑤ SUBBASE GRANULAR MATERIAL, TYPE C, VARIABLE DEPTH (100 mm MINIMUM)
- ⑥ AGGREGATE SHOULDER, TYPE B, 200 mm

REVISIONS	
NAME	DATE

ILLINOIS DEPARTMENT OF TRANSPORTATION  
**RAMP F TERMINAL DETAILS**  
 FAP 310 (IL 255)  
 SECTION 60-15  
 MADISON COUNTY  
 DRAWN BY EBB  
 CHECKED BY  
 DATE