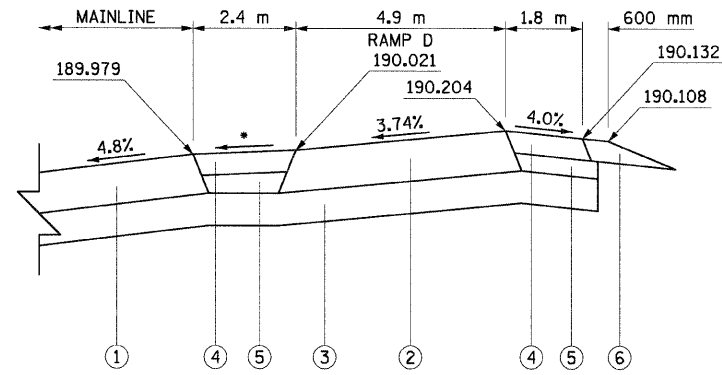


F.A.P. RTE.	SECTION	COUNTY	TOTAL SHEETS	SHEET NO.
310	60-15, 60-15B	MADISON	474	164
STA.		TO STA.		
FED. ROAD DIST. NO.		ILLINOIS FED. AID PROJECT		
CONTRACT NO. 76323				

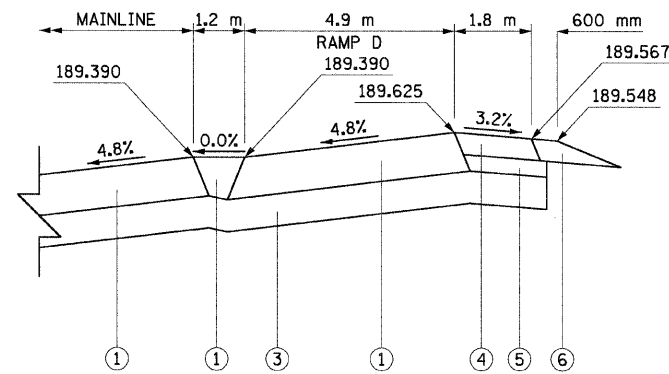


ENTRANCE_IL_111 RAMP D SECTION B-B
STA 0+412.530

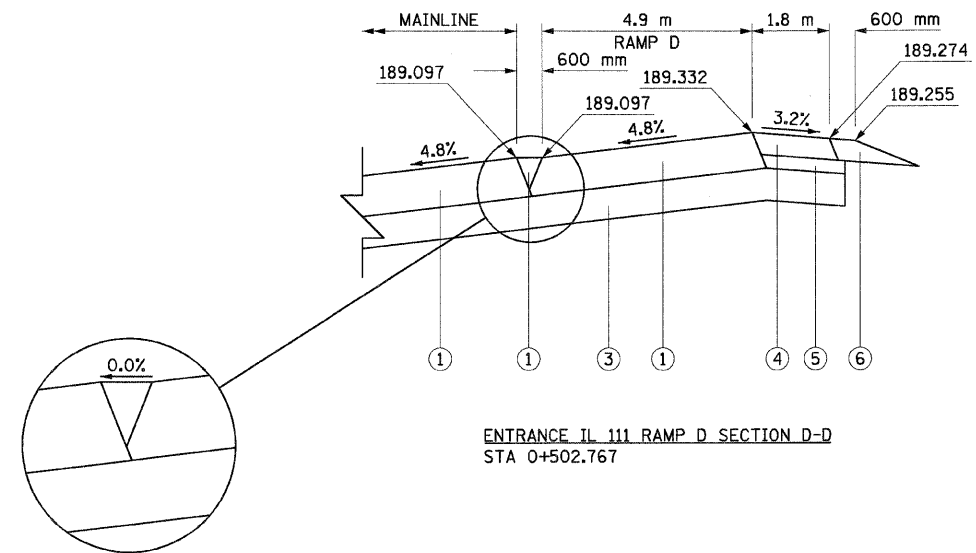
- CROSS SLOPE VARIES TO STA 0+427.000 (CONTROLLED BY RAMP PROFILE)
- CROSS SLOPE IS 0.0% FROM STA 0+427.000 TO SECTION C-C

LEGEND

- ① HOT-MIX ASPHALT PAVEMENT (FULL-DEPTH), 390 mm
- ② HOT-MIX ASPHALT PAVEMENT (FULL-DEPTH), 400 mm
- ③ LIME STABILIZED SOIL MIXTURE, 300 mm
- ④ HOT-MIX ASPHALT SHOULDERS, 200 mm
- ⑤ SUBBASE GRANULAR MATERIAL, TYPE C, VARIABLE DEPTH (100 mm MINIMUM)
- ⑥ AGGREGATE SHOULDER, TYPE B, 200 mm



ENTRANCE_IL_111 RAMP D SECTION C-C
STA 0+472.771



ENTRANCE_IL_111 RAMP D SECTION D-D
STA 0+502.767

REVISIONS		ILLINOIS DEPARTMENT OF TRANSPORTATION IL 111 RAMP D TERMINAL DETAILS FAP 310 (IL 255) SECTION 60-15 MADISON COUNTY
NAME	DATE	
		DRAWN BY EBB CHECKED BY DATE