

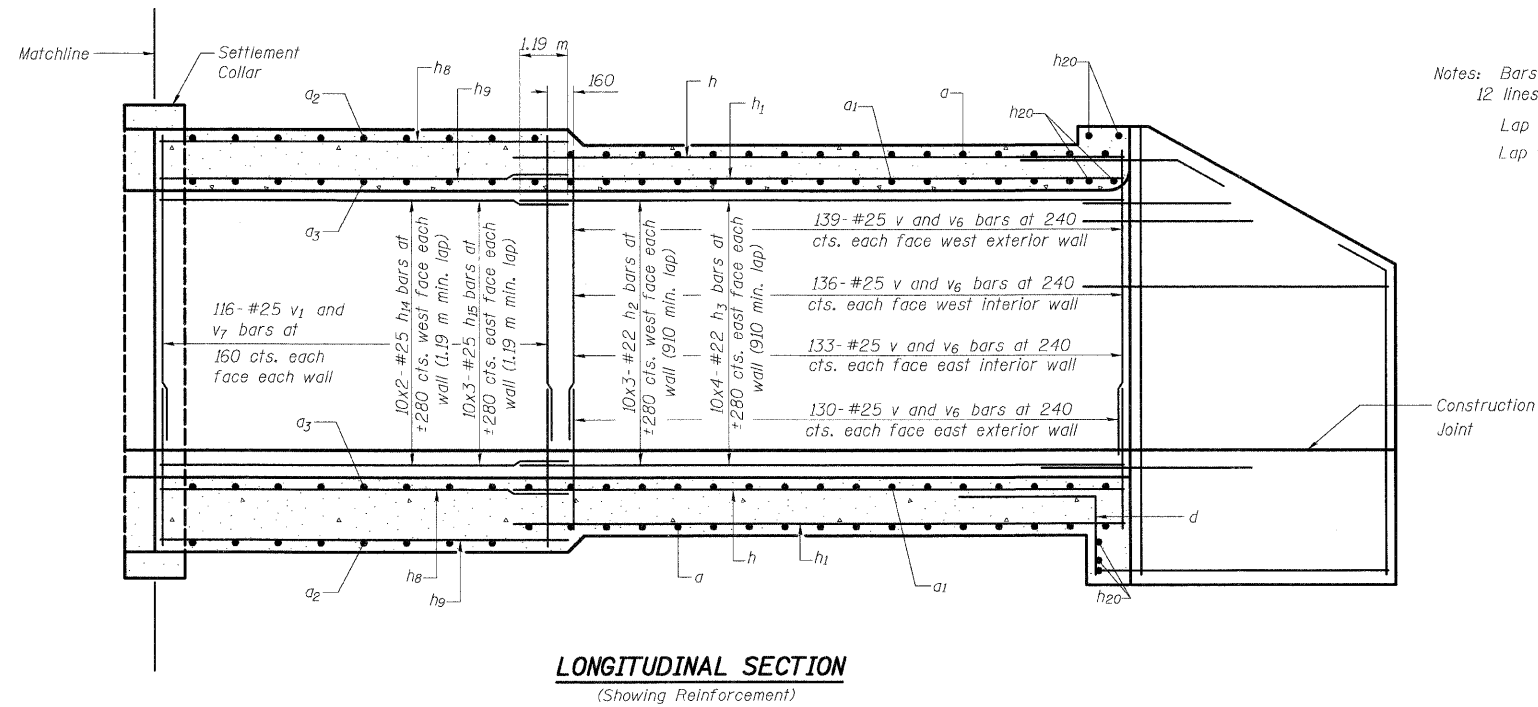
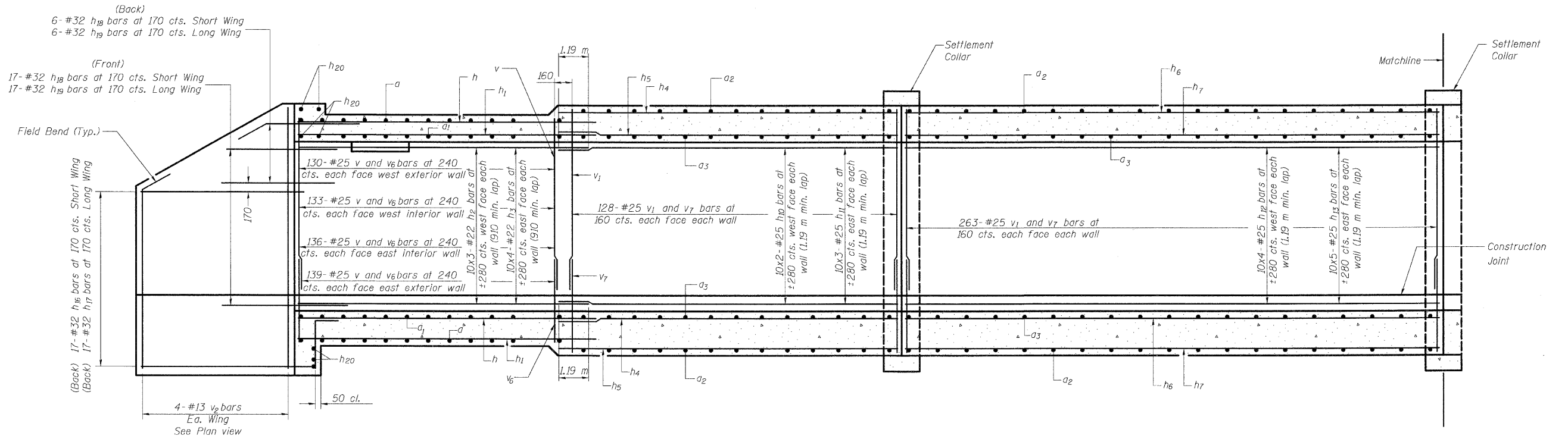
STATE OF ILLINOIS  
DEPARTMENT OF TRANSPORTATION

ROUTE NO.	SECTION	COUNTY	SHEET NO.	SHEET NO.
F.A.P. 310	60-15B	MADISON	474	247
FED. ROAD DIST. NO. 7	ILLINOIS	FED. AID PROJECT		9 SHEETS

Contract No. 76323

6/28/2007 2:53:13 PM

g:\00f1.es\02024\MAINLINE\SN0602043-Plans\SN0602043.dgn



Notes: Bars indicated thus 12 x 4 -#15 etc. indicates 12 lines of bars with 4 lengths per line.  
Lap v bars with v6 bars.  
Lap v1 bars with v7 bars.

DESIGNED	ADL
CHECKED	WLW
DRAWN	KAH
CHECKED	WLW

LONGITUDINAL SECTION  
(Showing Reinforcement)

LONGITUDINAL SECTION  
FAP RTE 310 (IL RTE 255)  
OVER ROCK CREEK  
SECTION 60-15B  
MADISON COUNTY  
STATION 35+291.000  
S.N. 060-2043