

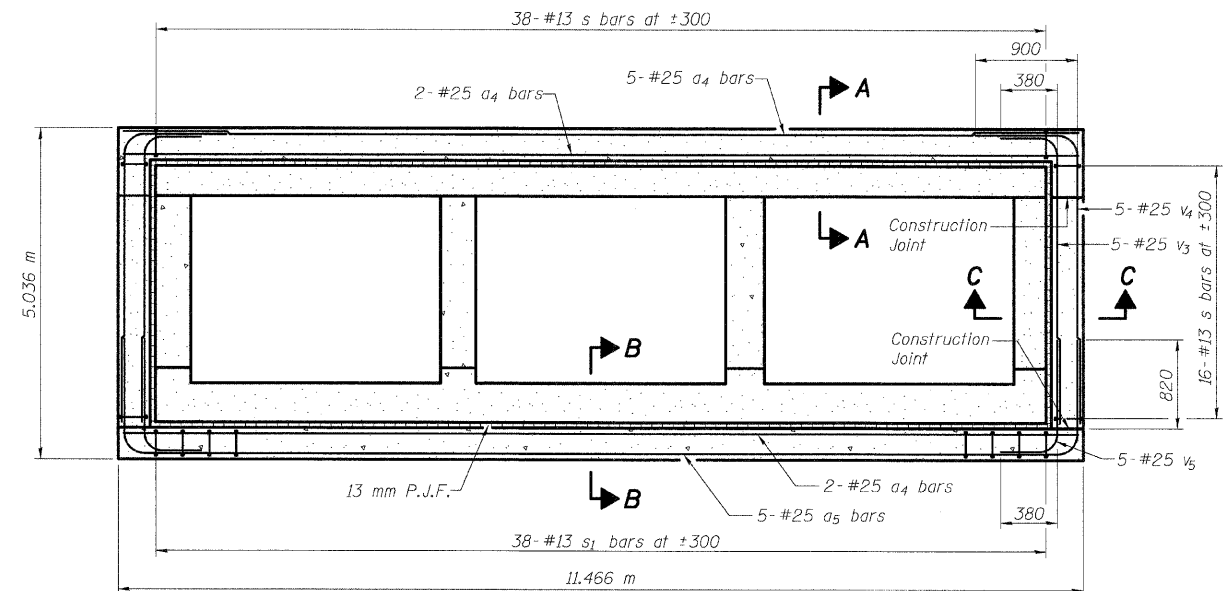
STATE OF ILLINOIS
DEPARTMENT OF TRANSPORTATION

ROUTE NO.	SECTION	COUNTY	TOTAL SHEETS	SHEET NO.
F.A.P. 310	60-15B	MADISON	474	249
FED. ROAD DIST. NO. 7	ILLINOIS	FED. AID PROJECT		

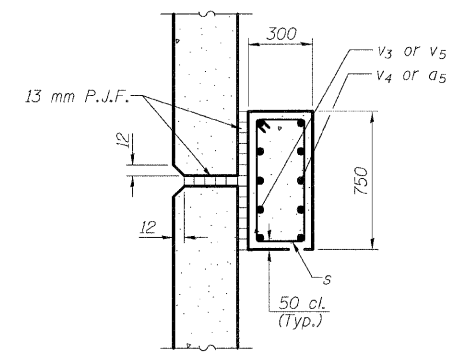
SHEET NO. 6
9 SHEETS

Contract No. 76323

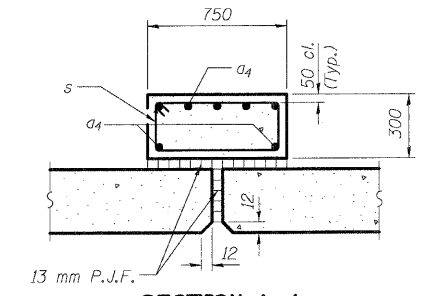
6/28/2007 2:53:13 PM
c:\001\ess\00024\MAINLINE\SN0502043-Plans\SN0502043.dgn



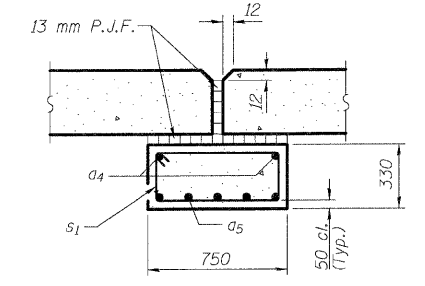
SECTION THRU BOX AT SETTLEMENT COLLAR
(2 Collars Required)



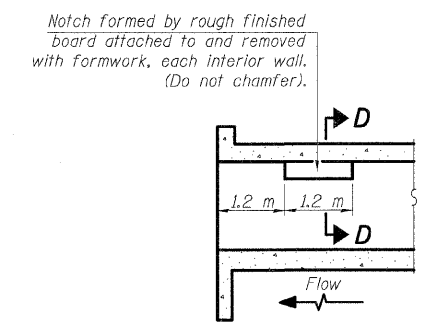
SECTION C-C THRU SIDEWALL



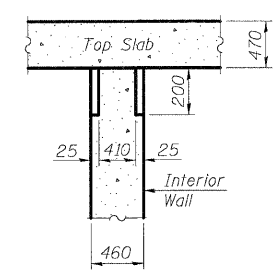
SECTION A-A THRU TOP SLAB



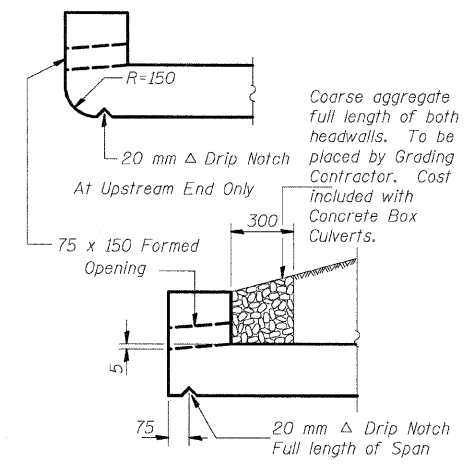
SECTION B-B THRU BOTTOM SLAB



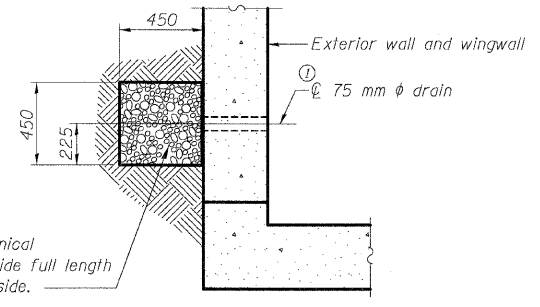
LONGITUDINAL SECTION



SECTION D-D



HEADWALL DRAIN DETAIL



WALL DRAIN DETAIL

① CA-5 or CA-7 course aggregate wrapped completely with Geotechnical Fabric for French Drains. Provide full length of barrel and wingwall on each side.

① Cost included with "Concrete Box Culverts".

DESIGNED	ADL
CHECKED	WLW
DRAWN	KAH
CHECKED	WLW

**PHOEBE NESTING
SITE DETAILS**
(Downstream End Only)

DETAILS
FAP RTE 310 (IL RTE 255)
OVER ROCK CREEK
SECTION 60-15B
MADISON COUNTY
STATION 35+291.000
S.N. 060-2043