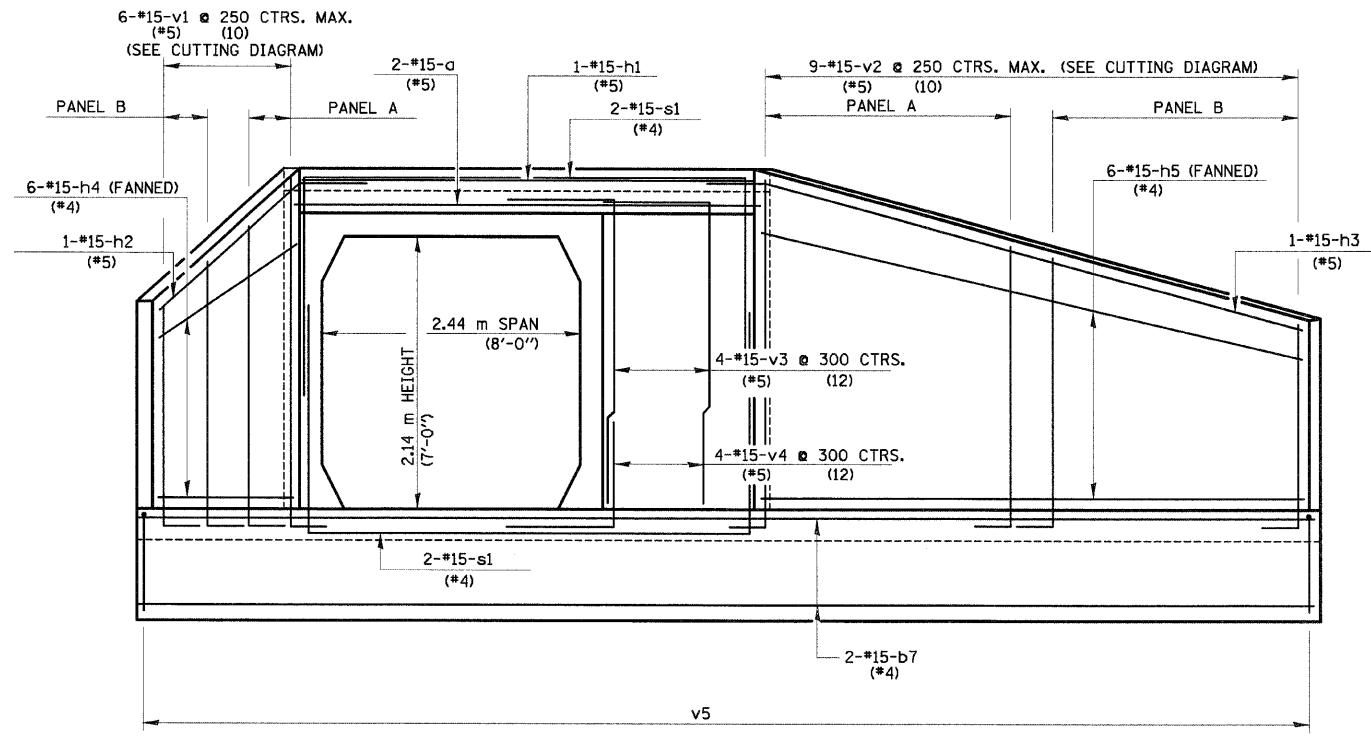
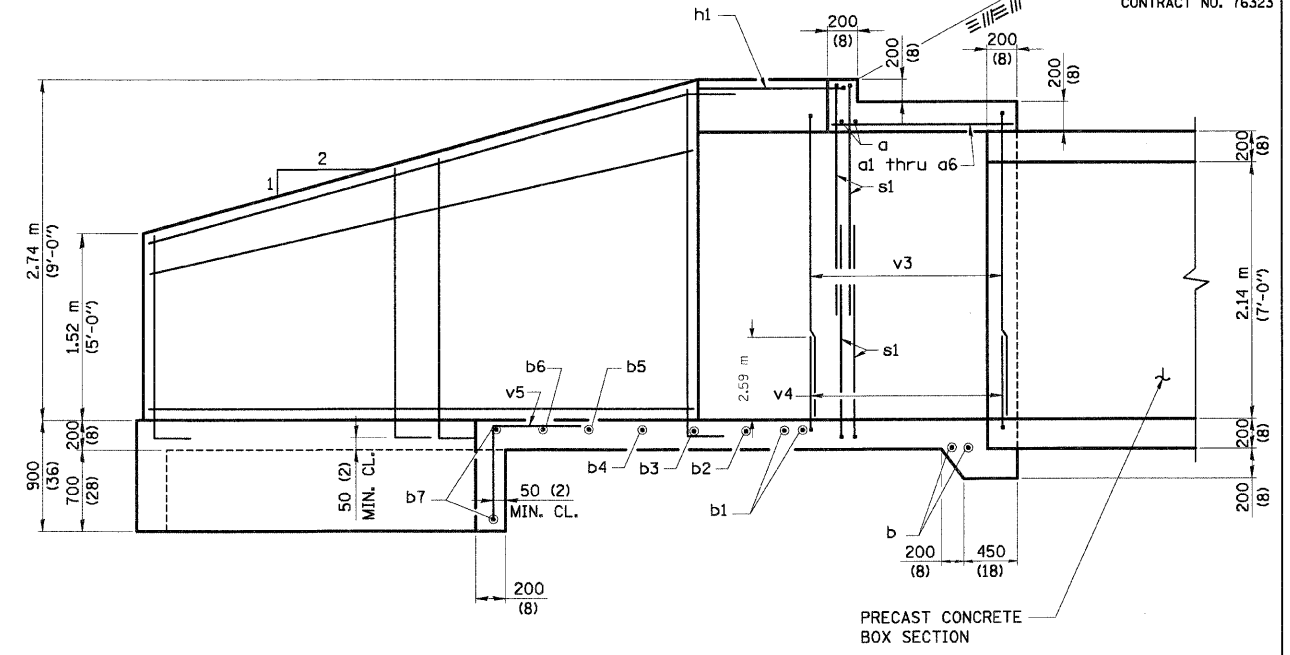


6/28/2007

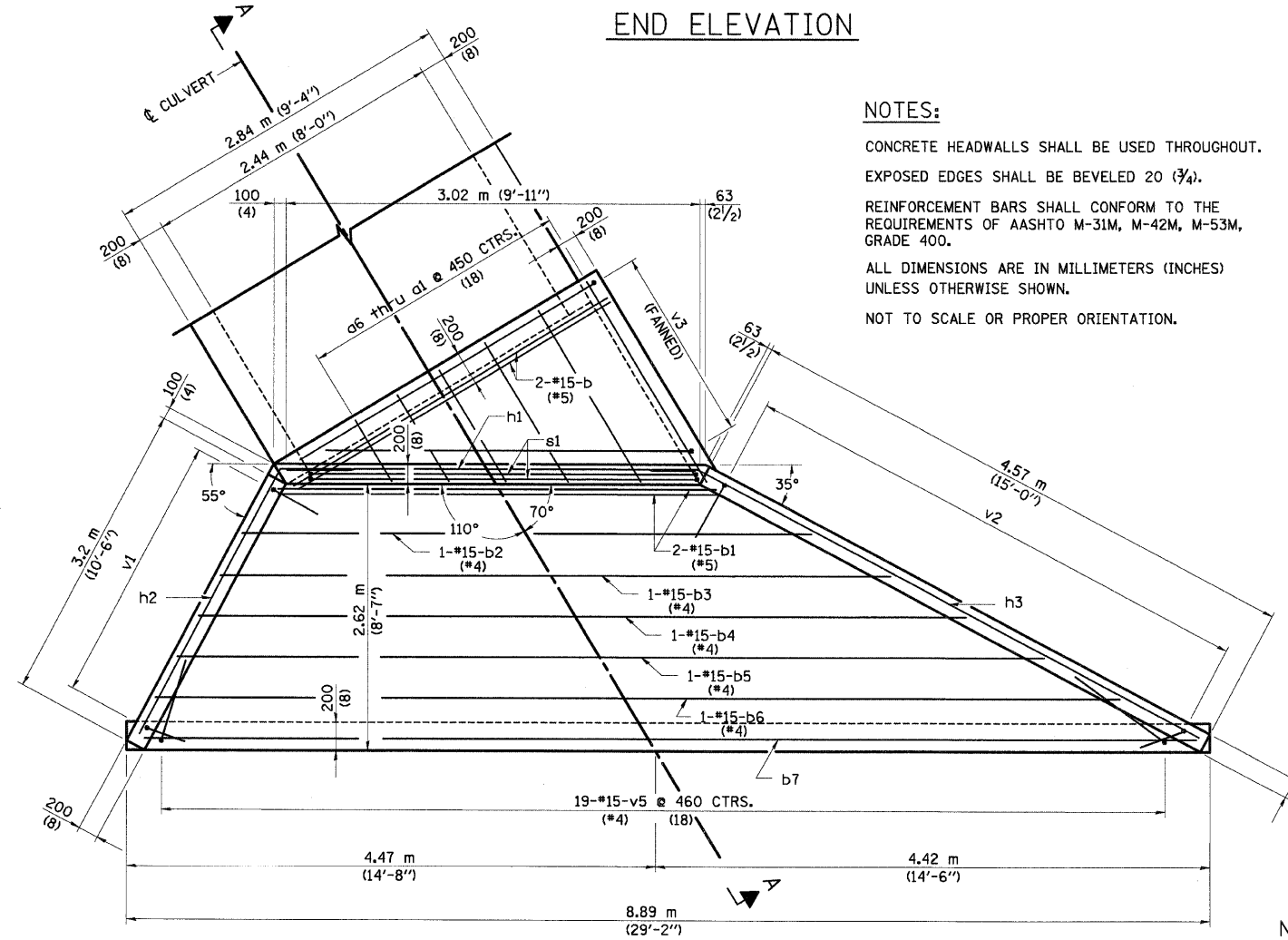
F.A.P. RTE.	SECTION	COUNTY	TOTAL SHEETS	SHEET NO.
310	60-15, 60-15B	MADISON	474	260
STA.		TO STA.		
FED. ROAD DIST. NO.		ILLINOIS FED. AID PROJECT		
CONTRACT NO. 76323				



END ELEVATION



SECTION A-A

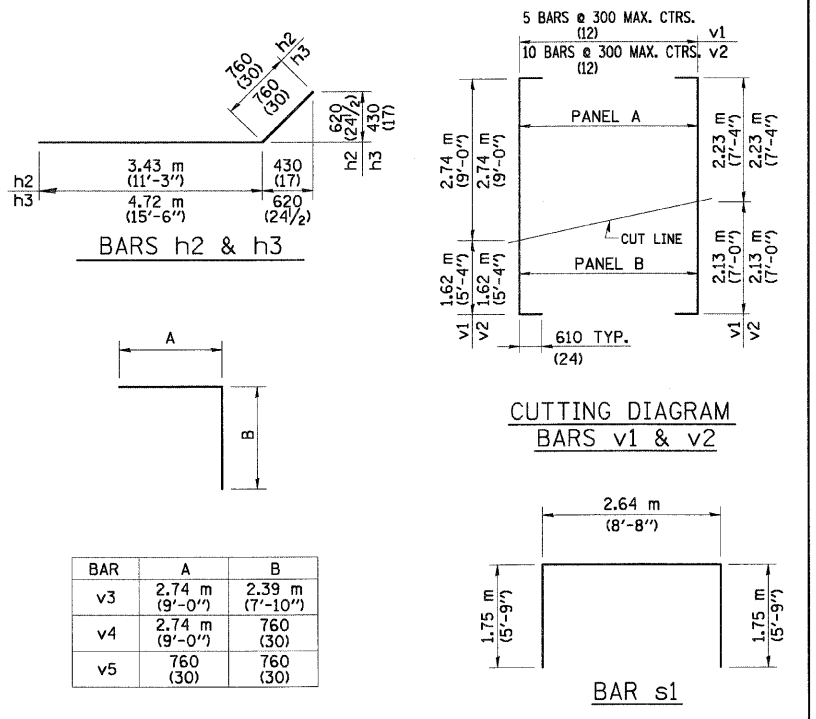


PLAN

**NOTES:**  
 CONCRETE HEADWALLS SHALL BE USED THROUGHOUT.  
 EXPOSED EDGES SHALL BE BEVELED 20 (3/4).  
 REINFORCEMENT BARS SHALL CONFORM TO THE REQUIREMENTS OF AASHTO M-31M, M-42M, M-53M, GRADE 400.  
 ALL DIMENSIONS ARE IN MILLIMETERS (INCHES) UNLESS OTHERWISE SHOWN.  
 NOT TO SCALE OR PROPER ORIENTATION.

**BILL OF MATERIAL**

BAR SIZE	NO.	LENGTH	SHAPE
a	No.15 (No.5) 2	3.12 m (10'-3")	
a1	(No.4) 1	1.22 m (4'-0")	
a2	(No.4) 1	1.04 m (3'-5")	
a3	(No.4) 1	864 (34)	
a4	(No.4) 1	710 (28)	
a5	(No.4) 1	533 (21)	
a6	(No.4) 1	380 (15)	
b	(No.5) 2	2.94 m (9'-8")	
b1	(No.5) 2	3.58 m (11'-9")	
b2	(No.4) 1	4.55 m (14'-11")	
b3	(No.4) 1	5.41 m (17'-9")	
b4	(No.4) 1	6.27 m (20'-7")	
b5	(No.4) 1	7.11 m (23'-4")	
b6	(No.4) 1	8.0 m (26'-3")	
b7	(No.4) 2	8.79 m (28'-10")	
h1	(No.5) 1	3.12 m (10'-3")	
h2	(No.5) 1	4.19 m (13'-9")	
h3	(No.5) 1	5.48 m (18'-0")	
h4	(No.4) 6	3.12 m (10'-3")	
h5	(No.4) 6	4.49 m (14'-9")	
v1	(No.5) 6	5.58 m (18'-4")	
v2	(No.5) 9	5.58 m (18'-4")	
v3	(No.5) 4	5.13 m (16'-10")	
v4	(No.5) 4	3.5 m (11'-6")	
v5	(No.4) 19	1.52 m (5'-0")	
s1	No.15 (No.4) 4	6.14 m (20'-2")	
CONCRETE HEADWALLS		m3 (C.Y.) 9.5 (12.4)	
REINFORCEMENT BARS		kg (Lbs.) 480 (880)	



BAR	A	B
v3	2.74 m (9'-0")	2.39 m (7'-10")
v4	2.74 m (9'-0")	760 (30)
v5	760 (30)	760 (30)

**NOTES:**  
 TABLE FOR ONE (1) HEADWALL ONLY. TWO (2) HEADWALLS REQUIRED.  
 BAR DIMENSIONS ARE OUT TO OUT.

REVISIONS	
NAME	DATE

ILLINOIS DEPARTMENT OF TRANSPORTATION  
**CAST-IN-PLACE HEADWALLS**  
**STATION 37+956 RT & LT**  
**2440 mm x 2140 mm (8'x7') BOX**  
**@ 20° SKEW**  
 DRAWN BY PTW  
 CHECKED BY ADL  
 DATE 5/12/02

ps:\02f\_files\00224\dmainline\headwalls\headwall137956.dgn