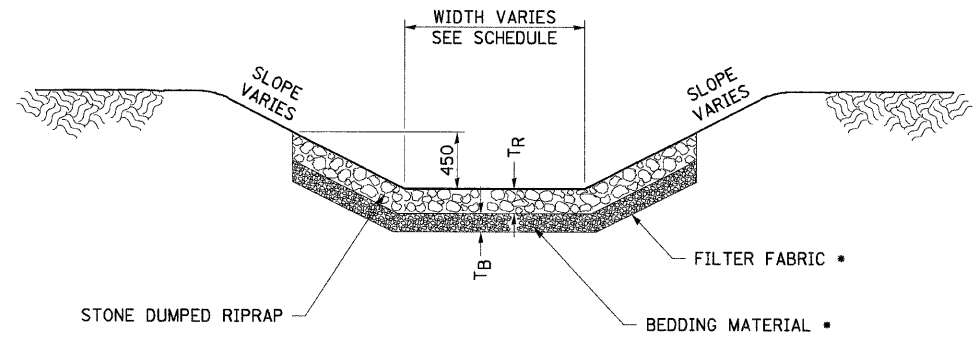


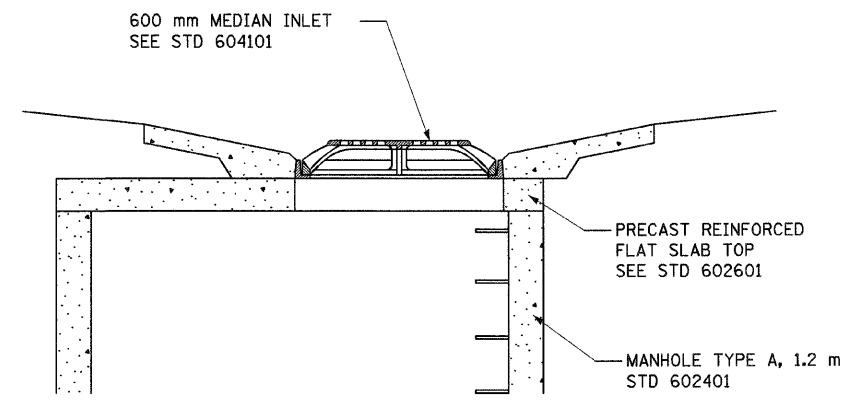
F.A.P. RTE.	SECTION	COUNTY	TOTAL SHEETS	SHEET NO.
310	60-15, 60-15B	MADISON	474	265
STA.		TO STA.		
FED. ROAD DIST. NO.		ILLINOIS FED. AID PROJECT		
CONTRACT NO. 76323				



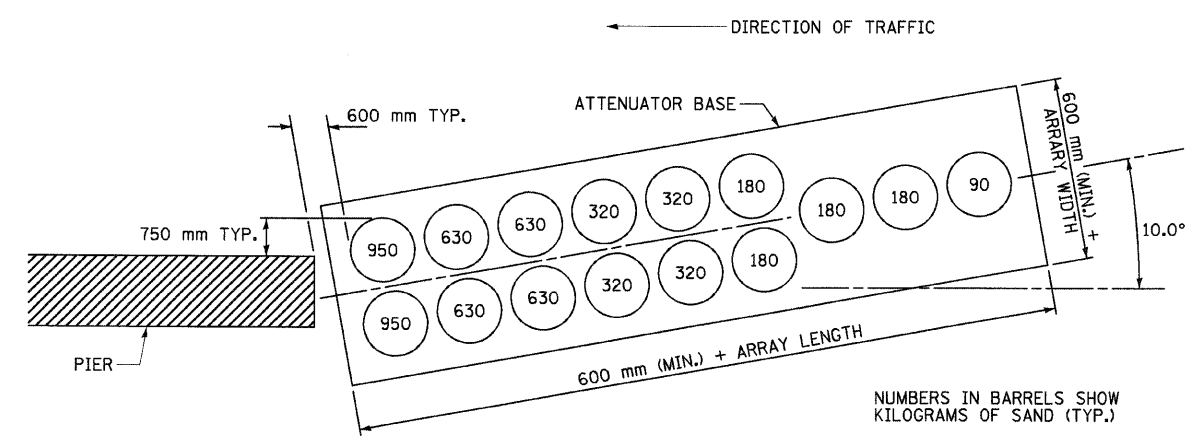
RIPRAP CLASS	RIPRAP THICKNESS (TR)	BEDDING THICKNESS (TB)
B3	300 mm	*
A4	405 mm	150 mm
A5	560 mm	200 mm

* STONE DUMPED RIPRAP CLASS B3 HAS NO BEDDING MATERIAL AND REQUIRES NO FABRIC.

TYPICAL STONE RIPRAP DITCH LINING
NOT TO SCALE

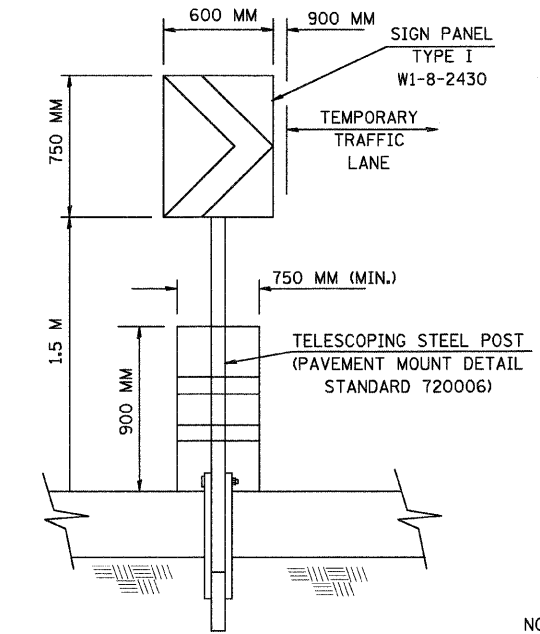


DETAIL OF STANDARD 600 mm MEDIAN INLET OF FLAT SLAB TOP



IMPACT ATTENUATORS (NON-REDIRECTIVE), TEST LEVEL 3
NOT TO SCALE

NOTES: FINAL SAND BARREL ARRAY LAYOUT AND WEIGHTS SHALL BE IN ACCORDANCE WITH MANUFACTURE'S SPECIFICATIONS.
IMPACT ATTENUATORS SHALL MEET THE TESTING CRITERIA CONTAINED IN NCHRP REPORT 350 FOR TEST LEVEL 3.
COST OF FURNISHING AND INSTALLING ATTENUATOR BASE SHALL BE INCLUDED IN THE PAY ITEM "IMPACT ATTENUATORS (NON-REDIRECTIVE), TEST LEVEL 3".



DRUM AND CHEVRON SIGN DETAIL

NOTE: SIGN PANEL AND POST TO BE SUPPLIED BY IDOT OPERATIONS - TRAFFIC SECTION

REVISIONS	
NAME	DATE

ILLINOIS DEPARTMENT OF TRANSPORTATION
MISCELLANEOUS DETAILS
FAP 310 (IL 255)
SECTION 60-15
MADISON COUNTY
DRAWN BY EBB
CHECKED BY
DATE