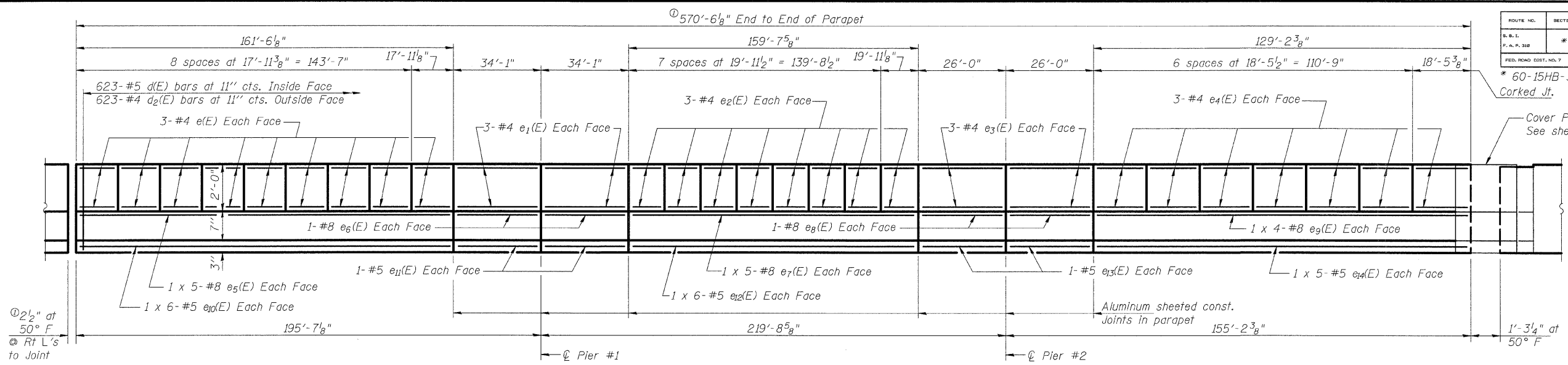


1/12/2010 9:54:47 AM

p:\00f1\es\000024\FluVer-Bridge-Plans\0600332Super-Structure.dgn

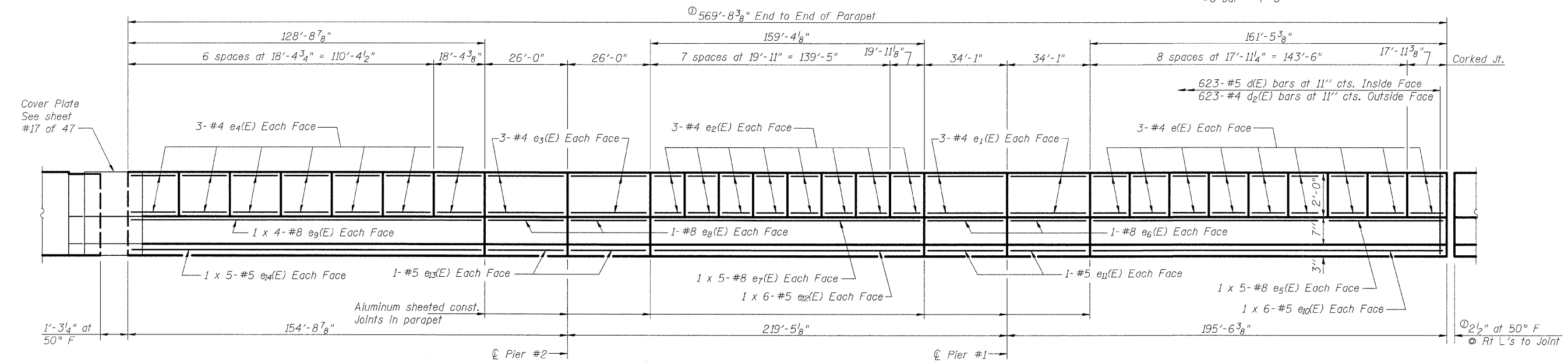
ROUTE NO.	SECTION	COUNTY	TOTAL SHEETS	SHEET NO.
S.R.L.	#	MADISON	93	33
F. A. P. 310				47 SHEETS
FED. ROAD DIST. NO. 7	ILLINOIS	FED. AID PROJECT-		

\* 60-15HB-3  
Contract No. 76706  
Corked Jt.

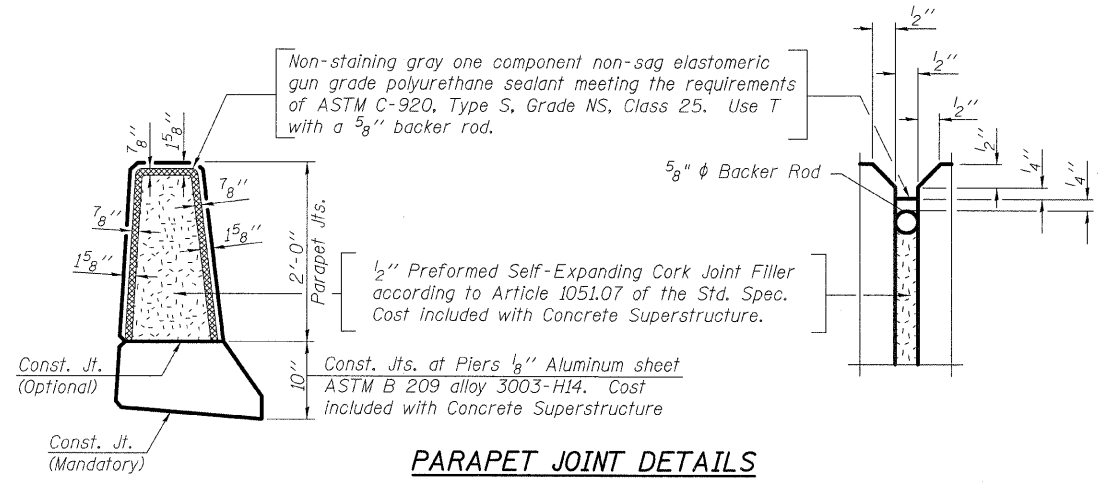


**INSIDE ELEVATION OF WEST PARAPET**  
(Looking West)

**MIN. BAR LAPS FOR PARAPETS**  
#4 bar = 1'-8"  
#5 bar = 2'-2"  
#8 bar = 4'-6"



**INSIDE ELEVATION OF EAST PARAPET**  
(Looking East)



**PARAPET JOINT DETAILS**

Ⓢ Dimensions are based on a Rolled Rail Strip Seal Joint. If the contractor elects to use the Welded Rail Strip Seal Joint, deck dimensions may require adjustments to satisfy the details on Sheet 15 of 47.

Notes:  
See Sheet #9 of 47 for plan and notes and sheet #12 of 47 for Superstructure Bill of Material.  
Bars indicated thus 20x3-#5 etc. indicates 20 lines of bars with 3 lengths per line.

DESIGNED	ADL
CHECKED	WLW
DRAWN	BGJ
CHECKED	WLW

**SUPERSTRUCTURE DETAILS**  
**RAMP B OVER FAP RTE 310**  
**SECTION 60-15HB-3**  
**MADISON COUNTY**  
**STATION 17+72.64 (RAMP B)**  
**SN 060-0332**