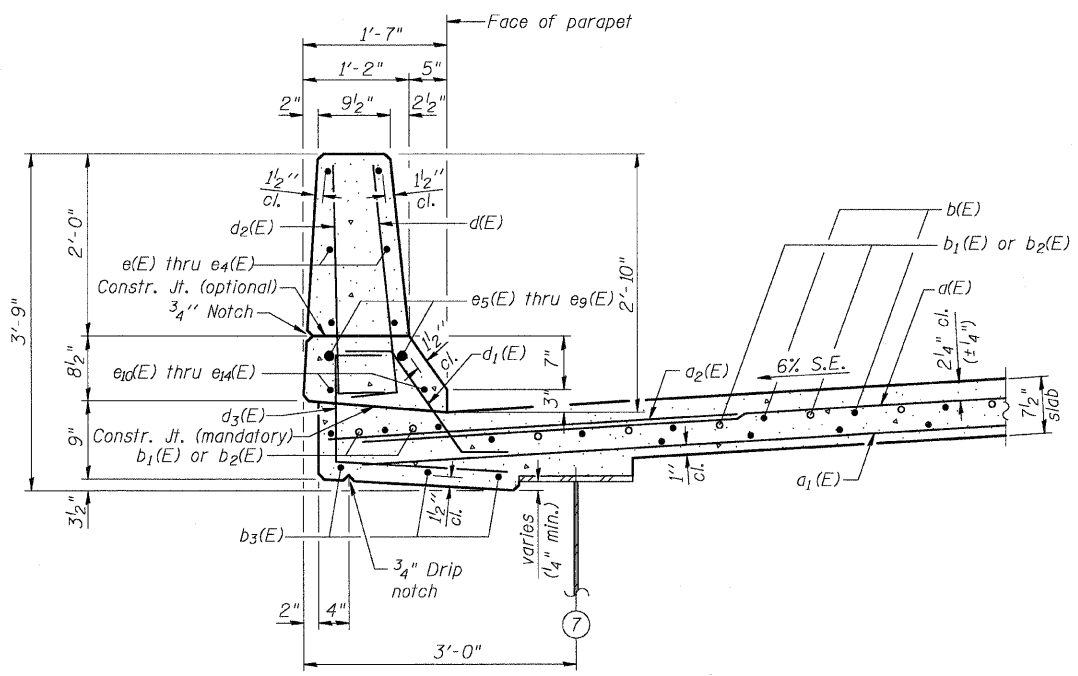


11/10/2008 4:28:50 PM

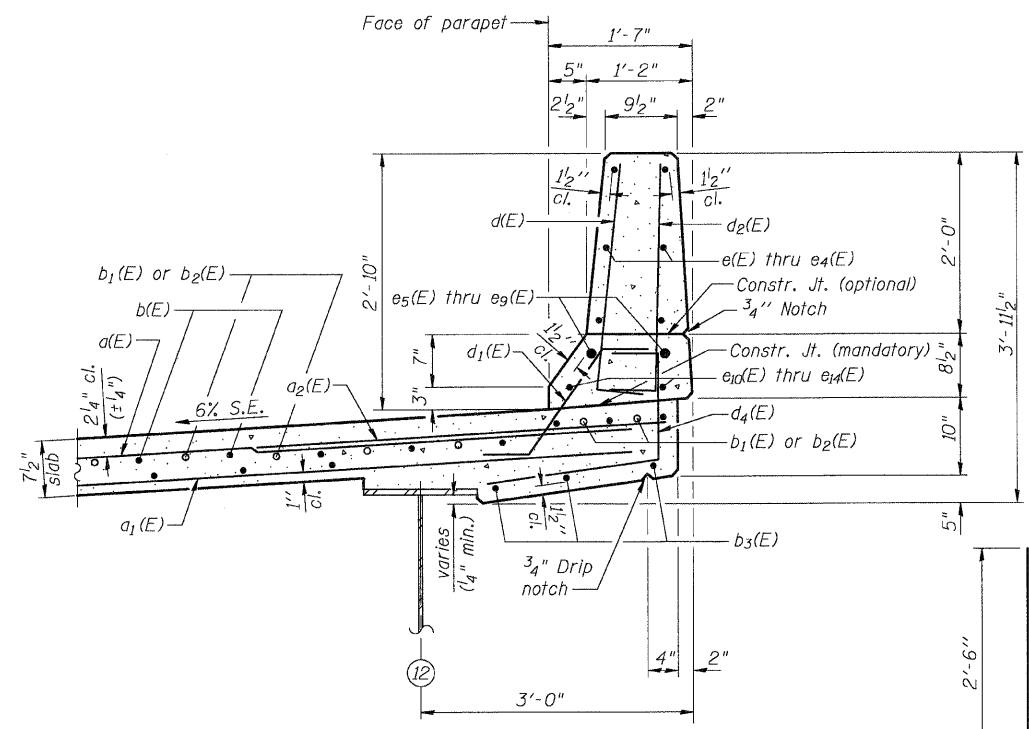
ROUTE NO.	SECTION	COUNTY	TOTAL SHEETS	SHEET NO.	SHEET NO. 12
F.A.P. 208	*	MADISON	93	34	47 SHEETS
FED. ROAD DIST. NO. 7	ILLINOIS	FED. AID PROJECT-			

* 60-15HB-3 Contract No. 76706



SECTION THRU WEST PARAPET

(Horizontal Dimensions are at Rt. L's to Baseline Ramp B, unless noted)



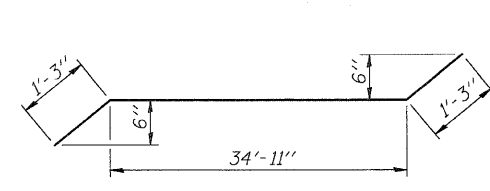
SECTION THRU EAST PARAPET

(Horizontal Dimensions are at Rt. L's to Baseline Ramp B, unless noted)

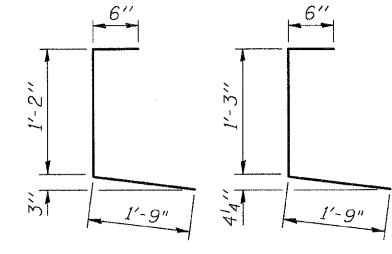
SUPERSTRUCTURE BILL OF MATERIAL

Bar	No.	Size	Length	Shape
a(E)	919	#5	33'-10"	—
a1(E)	689	#5	33'-10"	—
a2(E)	919	#6	6'-0"	—
a3(E)	2	#5	34'-7"	—
a4(E)	8	#5	37'-5"	—
a5(E)	25	#5	6'-0"	—
a6(E)	1	#5	31'-6"	—
b(E)	798	#5	29'-3"	—
b1(E)	140	#6	33'-7"	—
b2(E)	105	#6	34'-4"	—
b3(E)	682	#5	28'-0"	—
d(E)	1246	#5	3'-0"	—
d1(E)	1246	#5	2'-5"	—
d2(E)	1246	#4	3'-0"	—
d3(E)	623	#4	3'-5"	—
d4(E)	623	#4	3'-6"	—
e(E)	108	#4	17'-8"	—
e1(E)	24	#4	33'-10"	—
e2(E)	96	#4	19'-8"	—
e3(E)	24	#4	25'-9"	—
e4(E)	84	#4	18'-1"	—
e5(E)	20	#8	35'-11"	—
e6(E)	8	#8	33'-10"	—
e7(E)	20	#8	35'-6"	—
e8(E)	8	#8	25'-9"	—
e9(E)	16	#8	35'-8"	—
e10(E)	24	#5	28'-9"	—
e11(E)	8	#5	33'-10"	—
e12(E)	24	#5	28'-5"	—
e13(E)	8	#5	25'-9"	—
e14(E)	20	#5	27'-7"	—
x1(E)	25	#5	8'-3"	—
x2(E)	31	#5	3'-0"	—

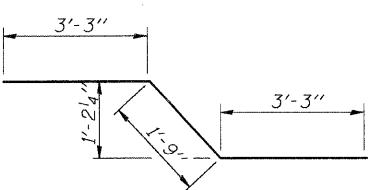
BARS d(E) & d2(E) BAR d1(E)



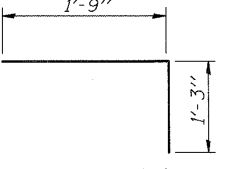
BARS a4(E)



BAR d3(E) BAR d4(E)



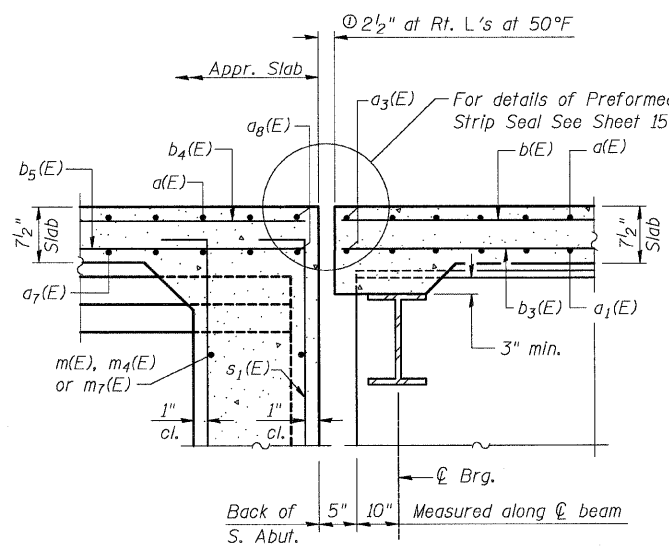
BARS x1(E)



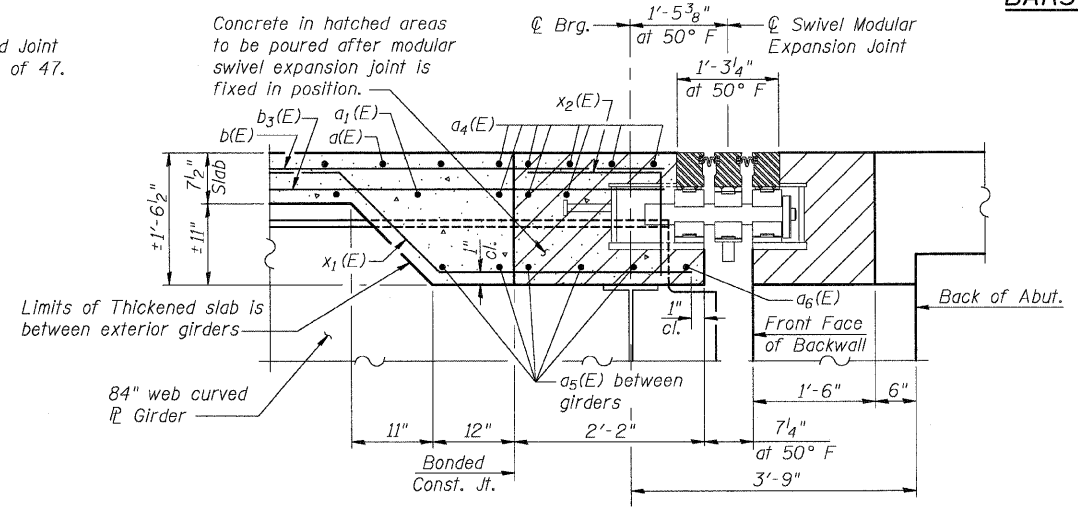
BARS x2(E)

Reinforcement Bars, Epoxy Coated	POUND	148,680
Concrete Superstructure	CU YD	650.0
Protective Coating	SQ YD	2504
Bridge Deck Grooving	SQ YD	2028

SUPERSTRUCTURE DETAILS
RAMP B OVER FAP RTE 310
SECTION 60-15HB-3
MADISON COUNTY
STATION 17+72.64 (RAMP B)
SN 060-0332



SECTION A-A



SECTION B-B

(Horizontal Dimensions are at Rt. L's to joint, unless noted)

Notes:
 See Sheet #9 of 47 for plan and notes.

DESIGNED	ADL
CHECKED	WLW
DRAWN	BGJ
CHECKED	WLW

© Dimensions are based on a Rolled Rail Strip Seal Joint.
 If the contractor elects to use the Welded Rail Strip Seal Joint, deck dimensions may require adjustments to satisfy the details on Sheet #15 of 47.

p:\00f_1es\000024\af\upover-br\tdae.plans\0600332superstructure.dgn