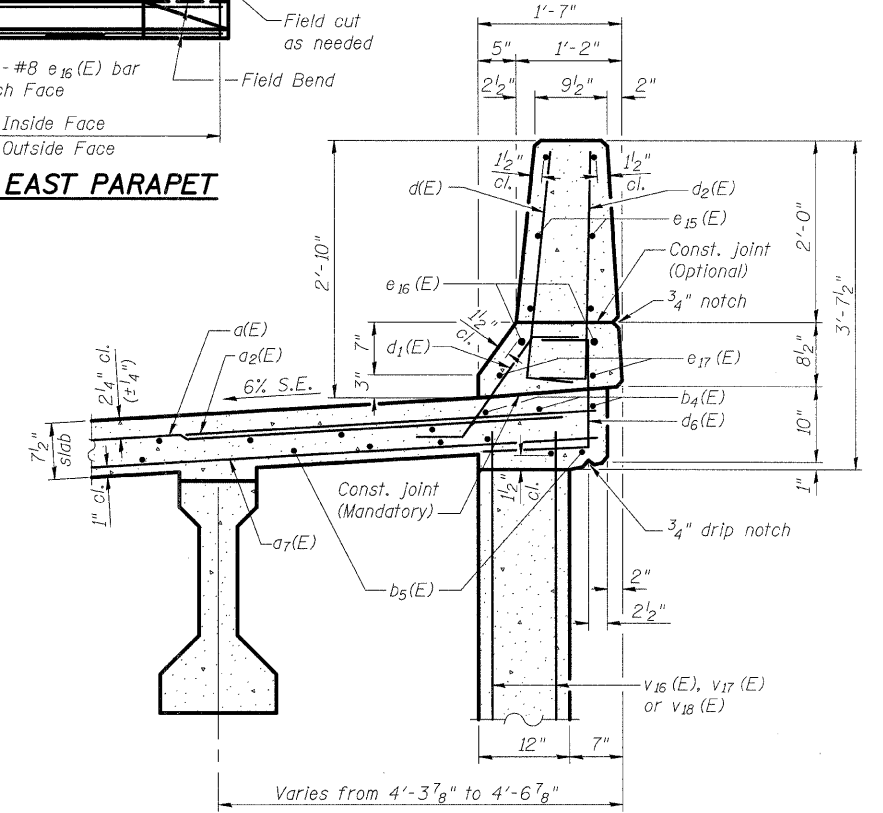
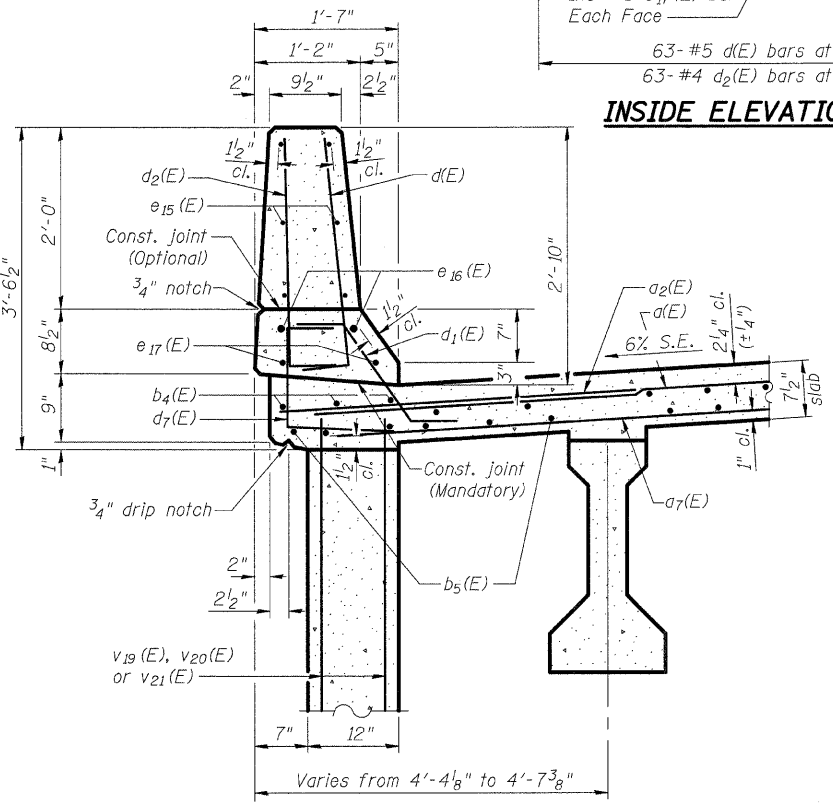
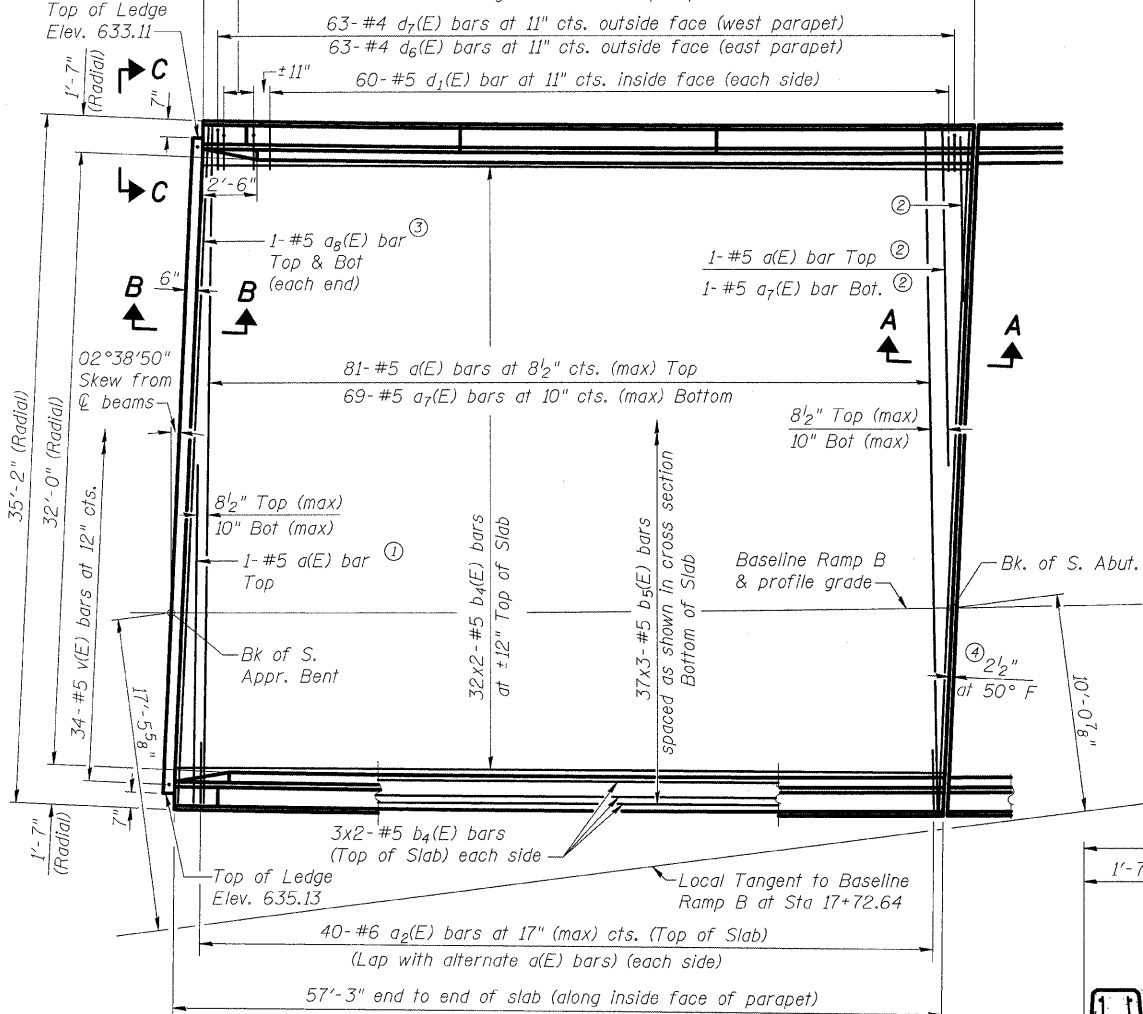
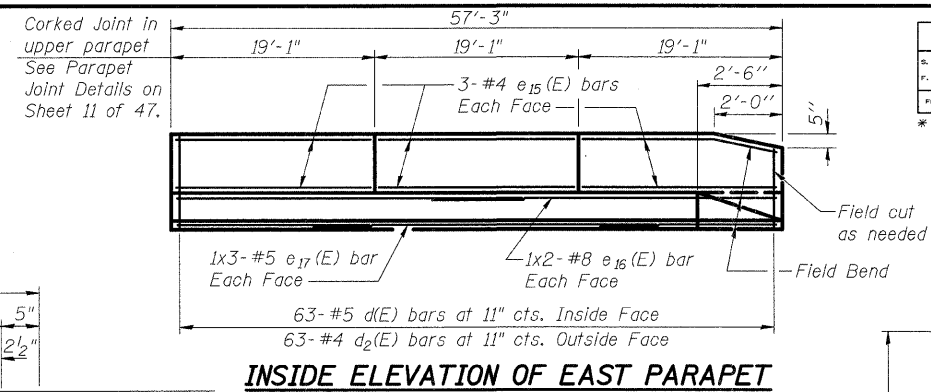
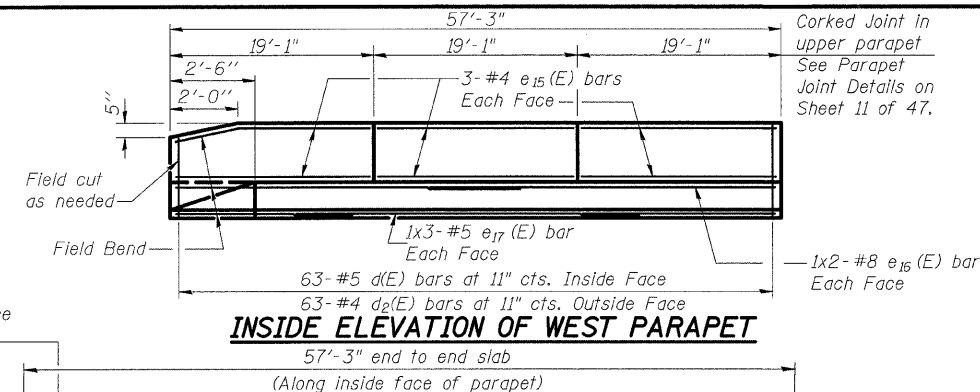


1/12/2010 9:55:34 AM

ca:\00f\les\000024\dlu\over-bridge-Plans\0600332\Appro-Slab.dwg

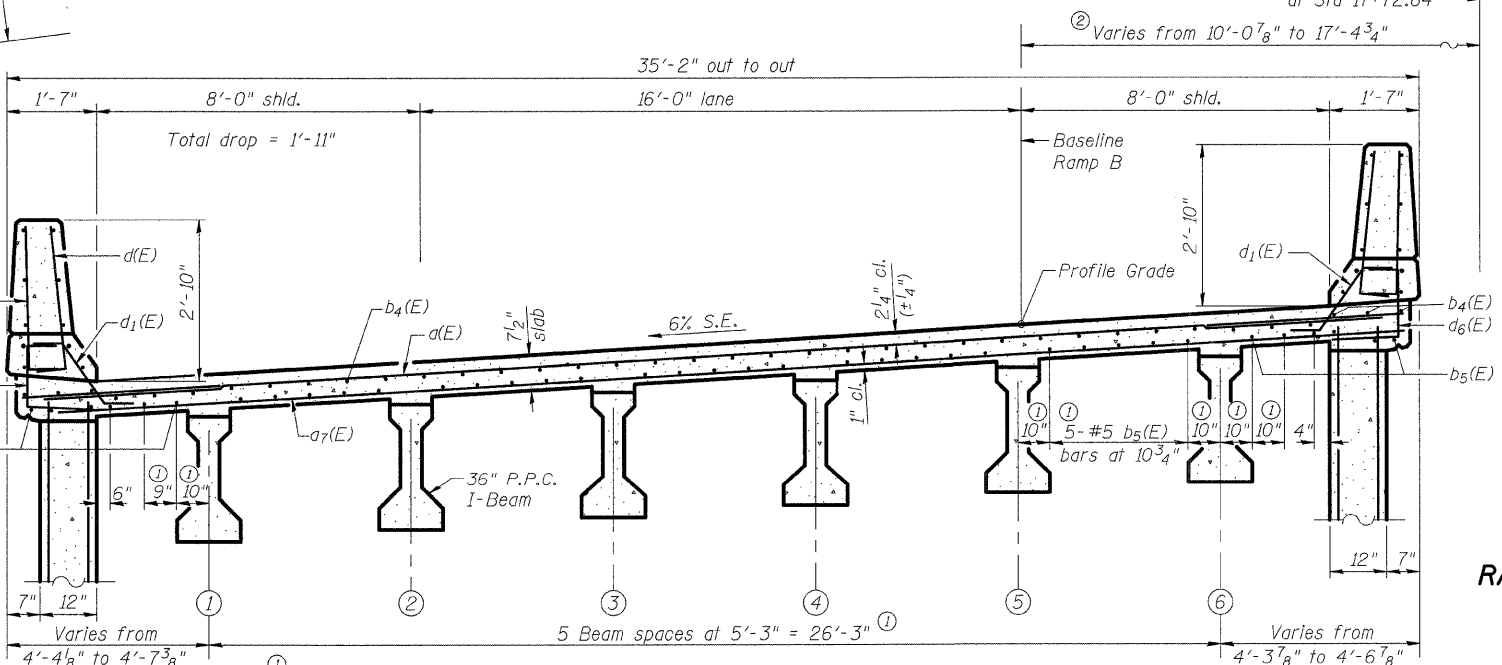
ROUTE NO.	SECTION	COUNTY	SHEETS	SHEET NO. 13
F.A.P. 310	*	MADISON	93	47 SHEETS
FED. ROAD DIST. NO. 7	ILLINOIS	FED. AID PROJECT		
* 60-15HB-3			Contract No. 76706	

**MIN. BAR LAPS**  
 #4 bar = 1'-8"  
 #5 bar = 2'-2"  
 #8 bar = 4'-6"



**SECTION THRU WEST PARAPET**  
 (Horizontal dimensions are at Rt. L's to Baseline Ramp B, unless noted)

**SECTION THRU EAST PARAPET**  
 (Horizontal dimensions are at Rt. L's to Baseline Ramp B, unless noted)

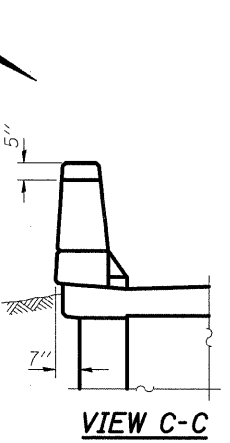


**CROSS SECTION**  
 (Looking North)  
 (Horizontal dimensions are at Rt. L's to Baseline Ramp B, unless noted)

Notes:  
 See sheets #31, #32 and #33 of 47 for v16(E) thru v21(E) bars.  
 Work this sheet with sheet #14 of 47.  
 See sheet #14 of 47 for Sections A-A & B-B.  
 Bars indicated thus 1 x 3-#5 etc. indicates 1 line of bars with 3 lengths per line.

- Order a(E) bar full length. Cut in half and use remainder of bar in bottom of same end.
- Order a(E) & a7(E) bars full length. Cut to fit skew and use remainder of bars in same end.
- Field bend a8(E) under parapet if required.
- Dimensions are based on a Rolled Rail Strip Seal Joint. If the contractor elects to use the Welded Rail Strip Seal Joint, deck dimensions may require adjustments to satisfy the details on Sheet 15 of 47.

DESIGNED	ADL
CHECKED	WLW
DRAWN	BGJ
CHECKED	WLW



**SOUTH APPROACH SLAB  
 RAMP B OVER FAP RTE 310  
 SECTION 60-15HB-3  
 MADISON COUNTY  
 STATION 17+72.64 (RAMP B)  
 SN 060-0332**

Klingner & Assoc., P.C.