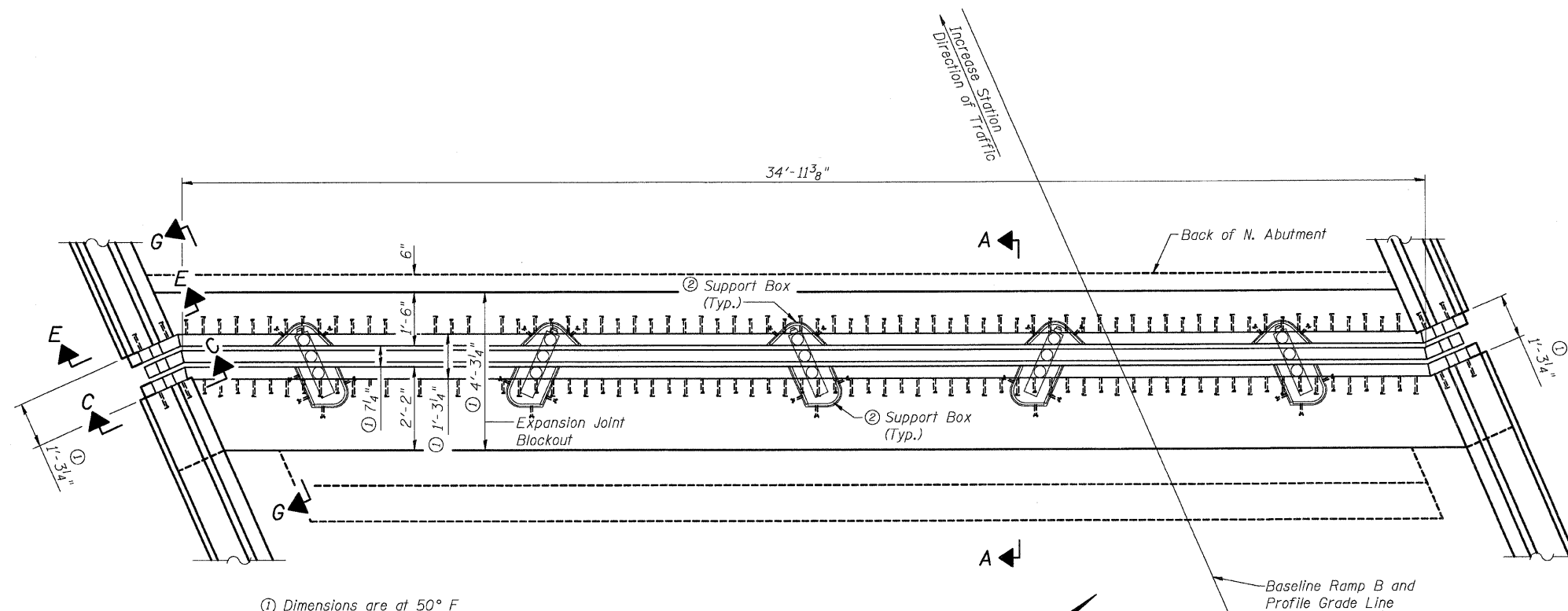


11/10/2008 4:33:05 PM

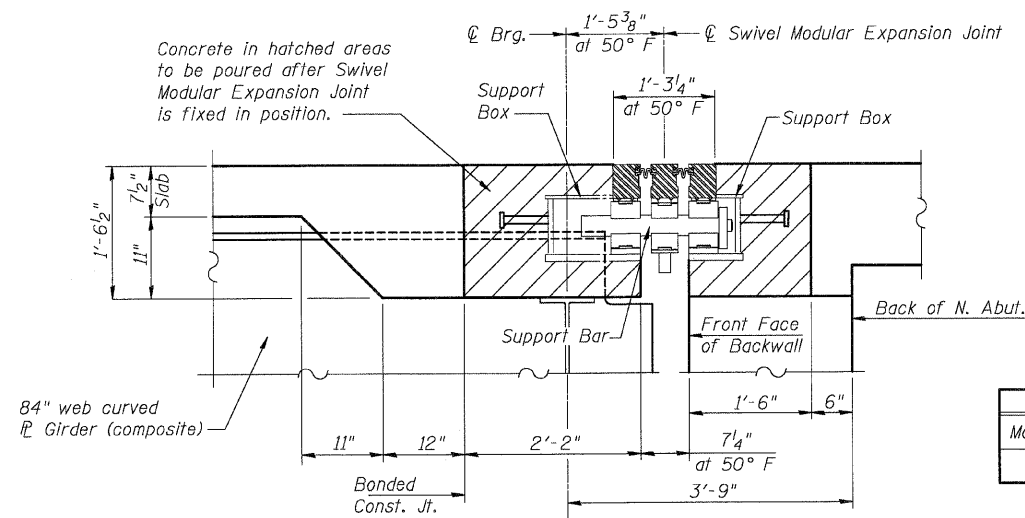
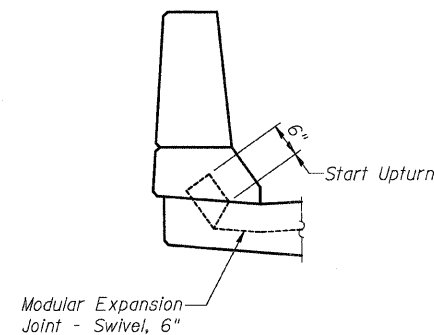
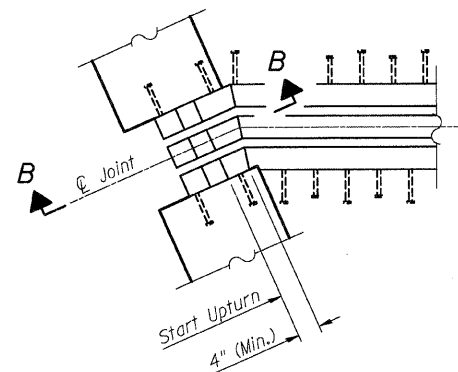
p:\08f.iles\000024\uf\lover-bridge-plans\0600332modular joint.dgn

ROUTE NO.	SECTION	COUNTY	SHEET NO.	SHEET	SHEET NO. 16
S. B. I.	*	MADISON	93	38	47 SHEETS
F. A. P. 308					
FED. ROAD DIST. NO. 7	ILLINOIS	FED. AID PROJECT			
					* 60-15HB-3 Contract No. 76706



Notes:

Work this sheet with sheet #17 of 47.
 See sheet #17 of 47 for Sections C-C and E-E.
 See sheet #17 of 47 for Elevation G-G.
 See notes on sheet #17 of 47.
 Support Boxes shall be rigidly attached to cross frames, beams and abutment backwall by adjustable brackets, stools or shims. Cost of attachment included in "Modular Expansion Joint - Swivel 6" ".



BILL OF MATERIAL

Item	Unit	Total
Modular Expansion Joint - Swivel 6"	FOOT	37

DESIGNED	ADL
CHECKED	WLW
DRAWN	RLW
CHECKED	WLW

SWIVEL MODULAR EXPANSION JOINT
 RAMP B OVER FAP RTE 310
 SECTION 60-15HB-3
 MADISON COUNTY
 STATION 17+72.64 (RAMP B)
 SN 060-0332