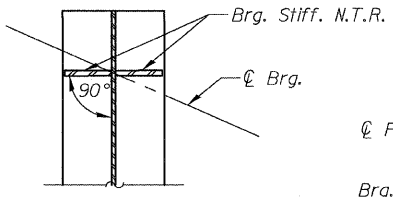


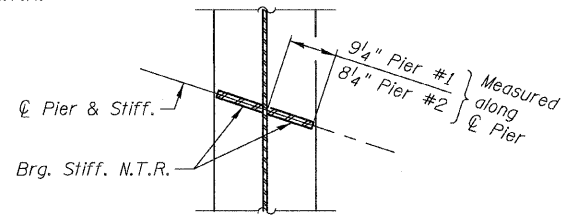
11/10/2008 4:33:55 PM

p:\00f\les\000024\cf\luever-bridge-plans\0600332steel\detail.dgn

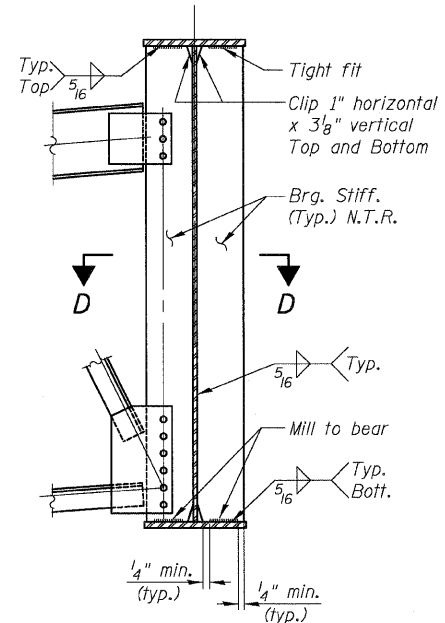
ROUTE NO.	SECTION	COUNTY	TOTAL SHEETS	SHEET NO.	SHEET NO. 20 47 SHEETS
S.B.L.	*	MADISON	93	42	
F.A.P. 318					
FED. ROAD DIST. NO. 7	ILLINOIS	FED. AID PROJECT-	* 60-15HB-3 Contract No. 76706		



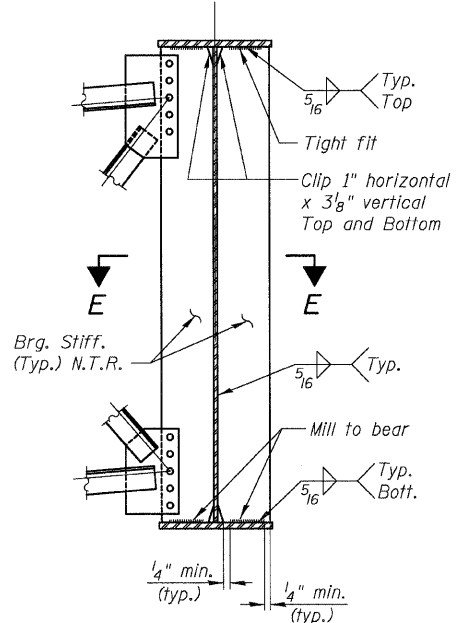
SECTION D-D



SECTION E-E

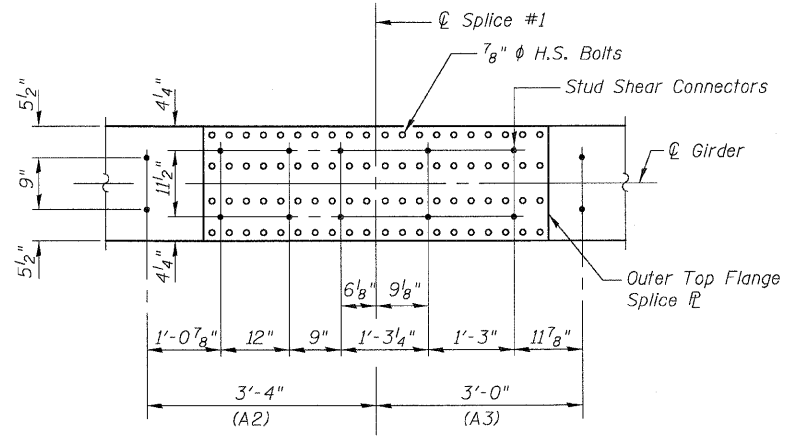


AT ABUTMENTS

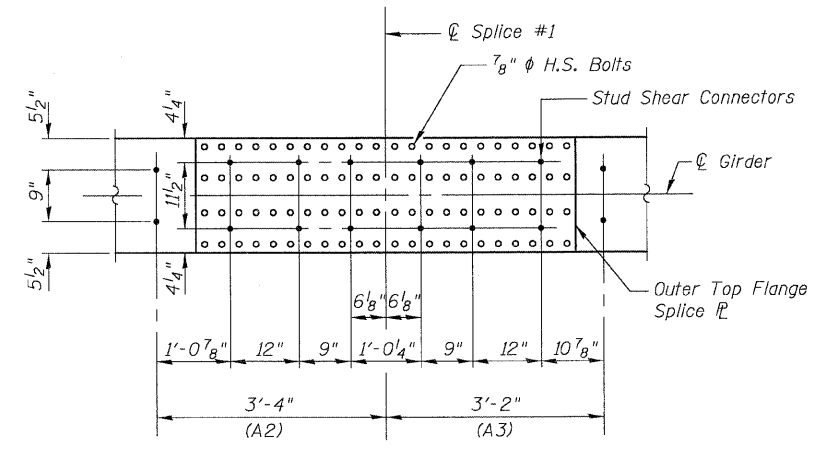


AT PIERS

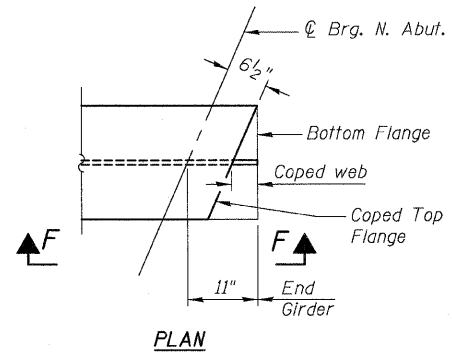
BEARING STIFFENERS



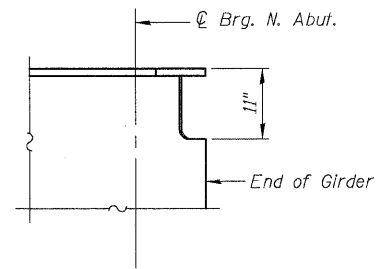
STUD SHEAR CONNECTOR SPACING ON SPLICE #1 (GIRDERS 7-10)



STUD SHEAR CONNECTOR SPACING ON SPLICE #1 (GIRDERS 11-12)



PLAN



ELEVATION F-F

DETAIL A

DESIGNED	ADL
CHECKED	WLW
DRAWN	BGJ
CHECKED	WLW

STRUCTURAL STEEL DETAILS
RAMP B OVER FAP RTE 310
SECTION 60-15HB-3
MADISON COUNTY
STATION 17+72.64 (RAMP B)
SN 060-0332