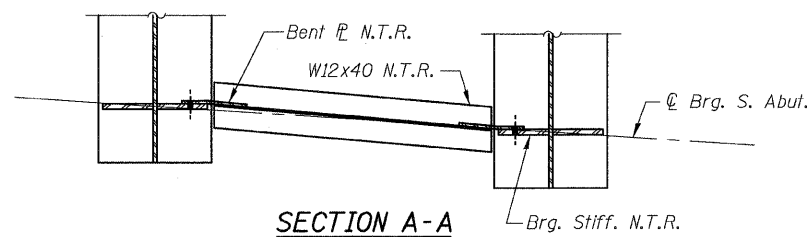


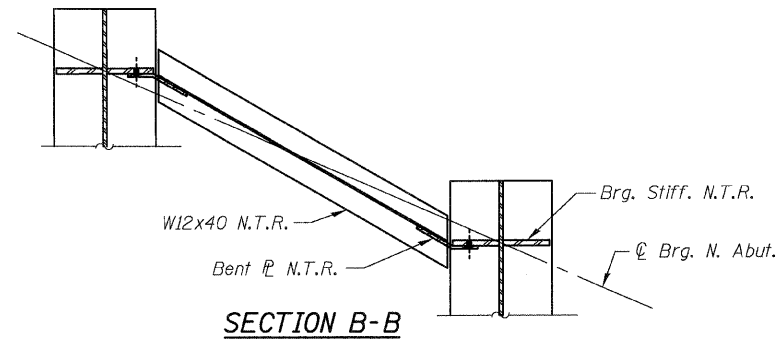
11/10/2008 4:33:55 PM

p:\06f\les\000224\af\lower-bridge-plans\0600332s\steel\detail\ls.dgn

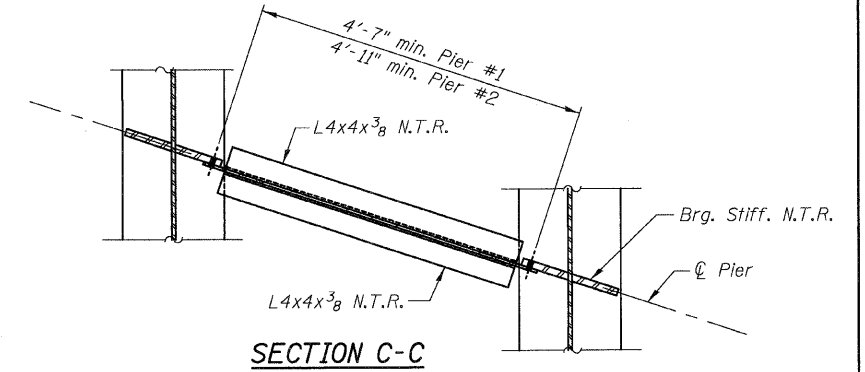
ROUTE NO.	SECTION	COUNTY	TOTAL SHEETS	SHEET NO.
S. B. I.	*	MADISON	93	43
F. A. P. 318				
FED. ROAD DIST. NO. 7	SUBDIVISION	FED. AID PROJECT-		
		* 60-15HB-3		Contract No. 76706



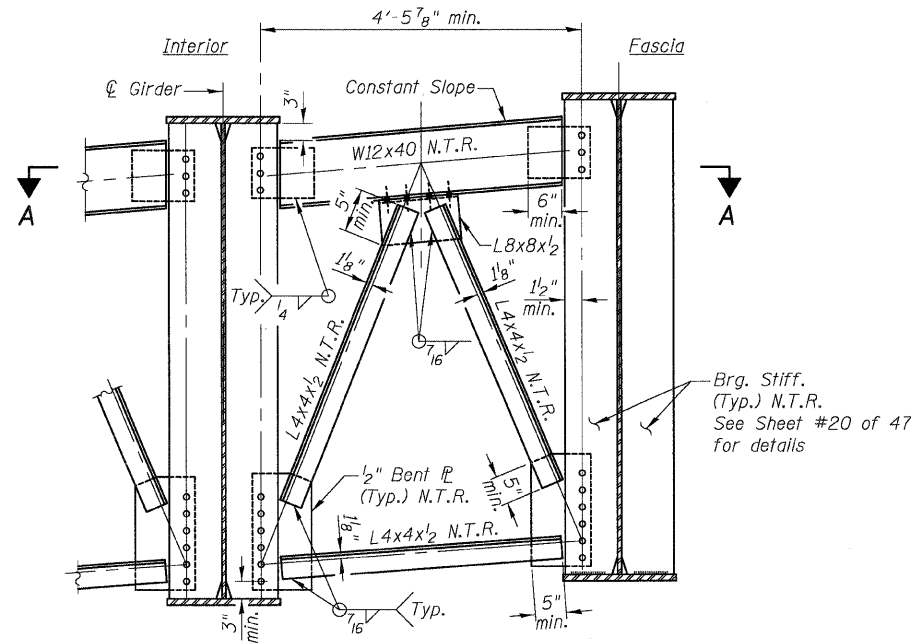
SECTION A-A



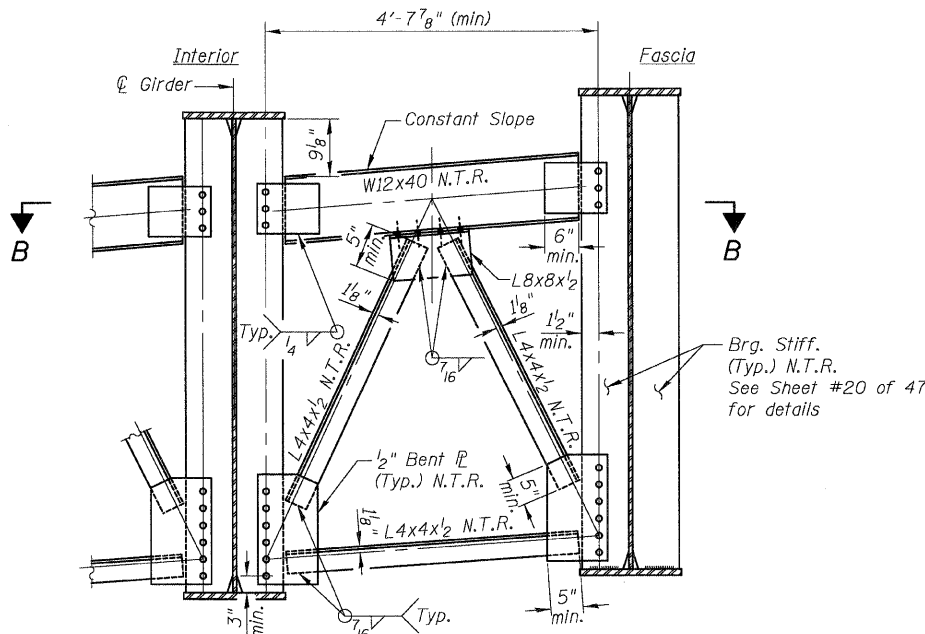
SECTION B-B



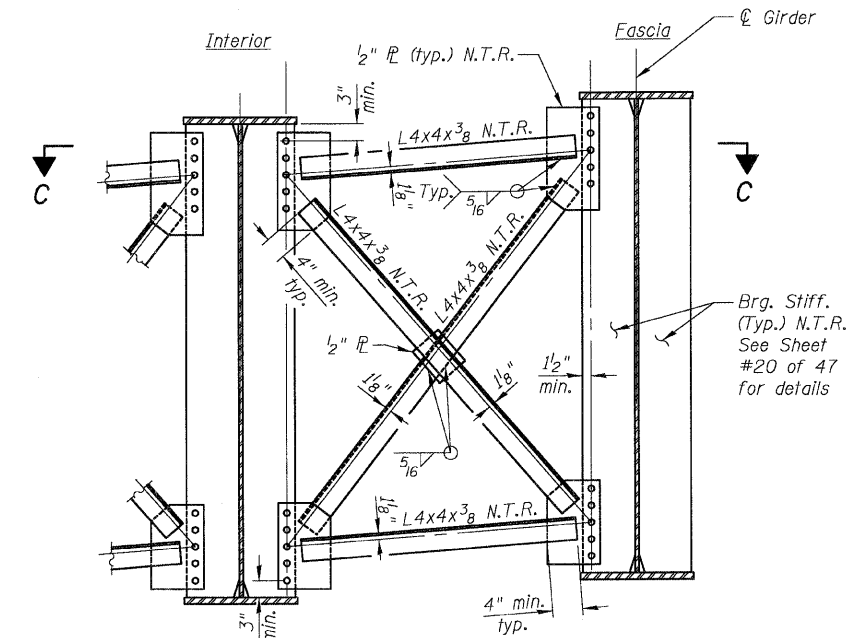
SECTION C-C



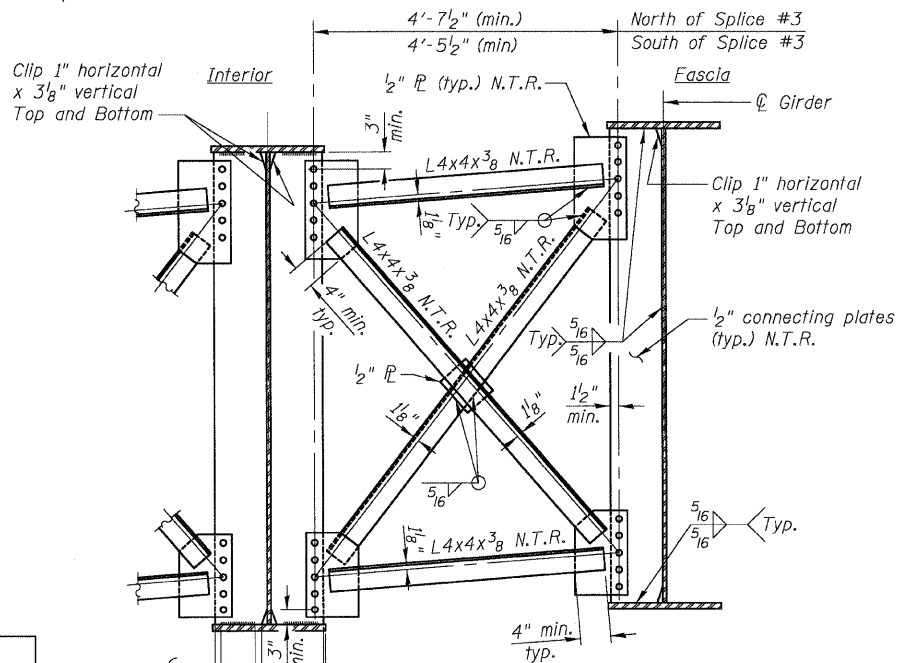
END CROSS FRAME (CF1)
(5 required)



END CROSS FRAME (CF2)
(5 required)



INTERIOR CROSS FRAME (CF4)
(10 required)



INTERIOR CROSS FRAME (CF3)
(160 required)

Notes:
 All bolts in cross frames shall be 7/8" ϕ H.S. bolts.
 Detail 5/16" ϕ holes for all 7/8" ϕ H.S. bolts unless noted otherwise.
 All cross frames and connection plates shall be AASHTO M270 Grade 50 steel, and shall comply with Notch Toughness Requirements (N.T.R.).

CROSS FRAME DETAILS
 RAMP B OVER FAP RTE 310
 SECTION 60-15HB-3
 MADISON COUNTY
 STATION 17+72.64 (RAMP B)
 SN 060-0332

DESIGNED	ADL
CHECKED	WLW
DRAWN	BGJ
CHECKED	WLW

Typ. Top & Bottom { 1/4" 1/4" 1/4" min.

Note: Interior Cross Frames (CF3) and connecting plates are placed at Rt. L's to girders.