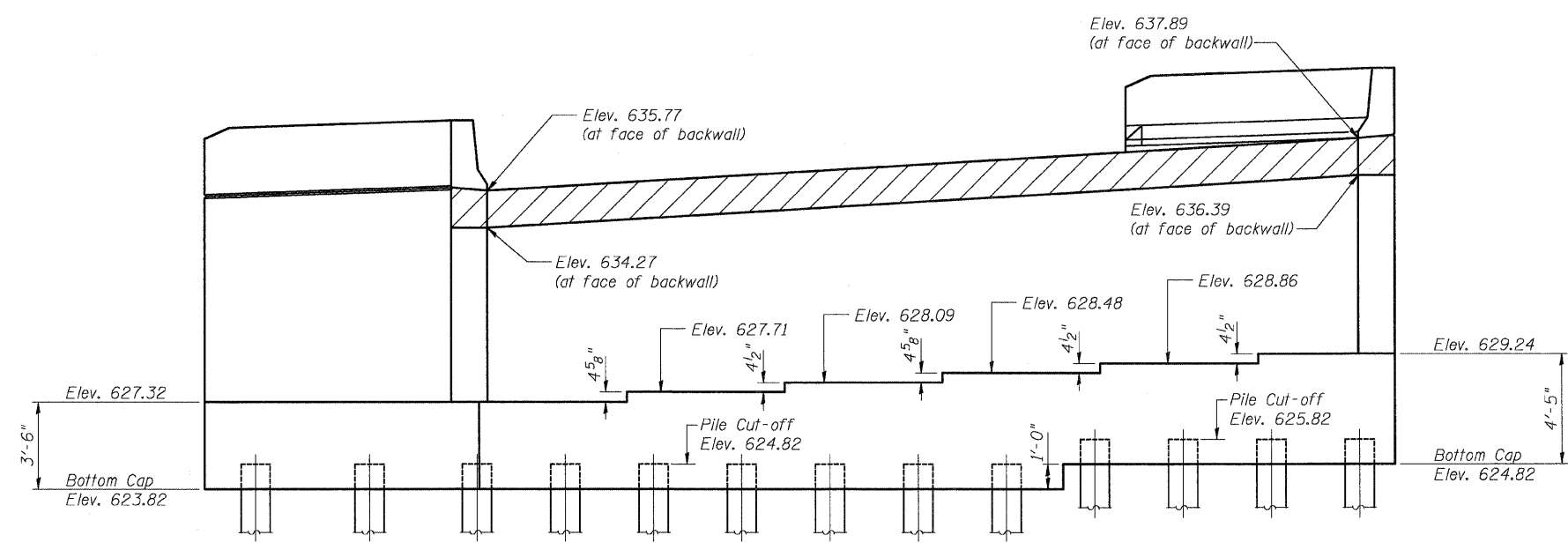


11/10/2008 4:37:22 PM

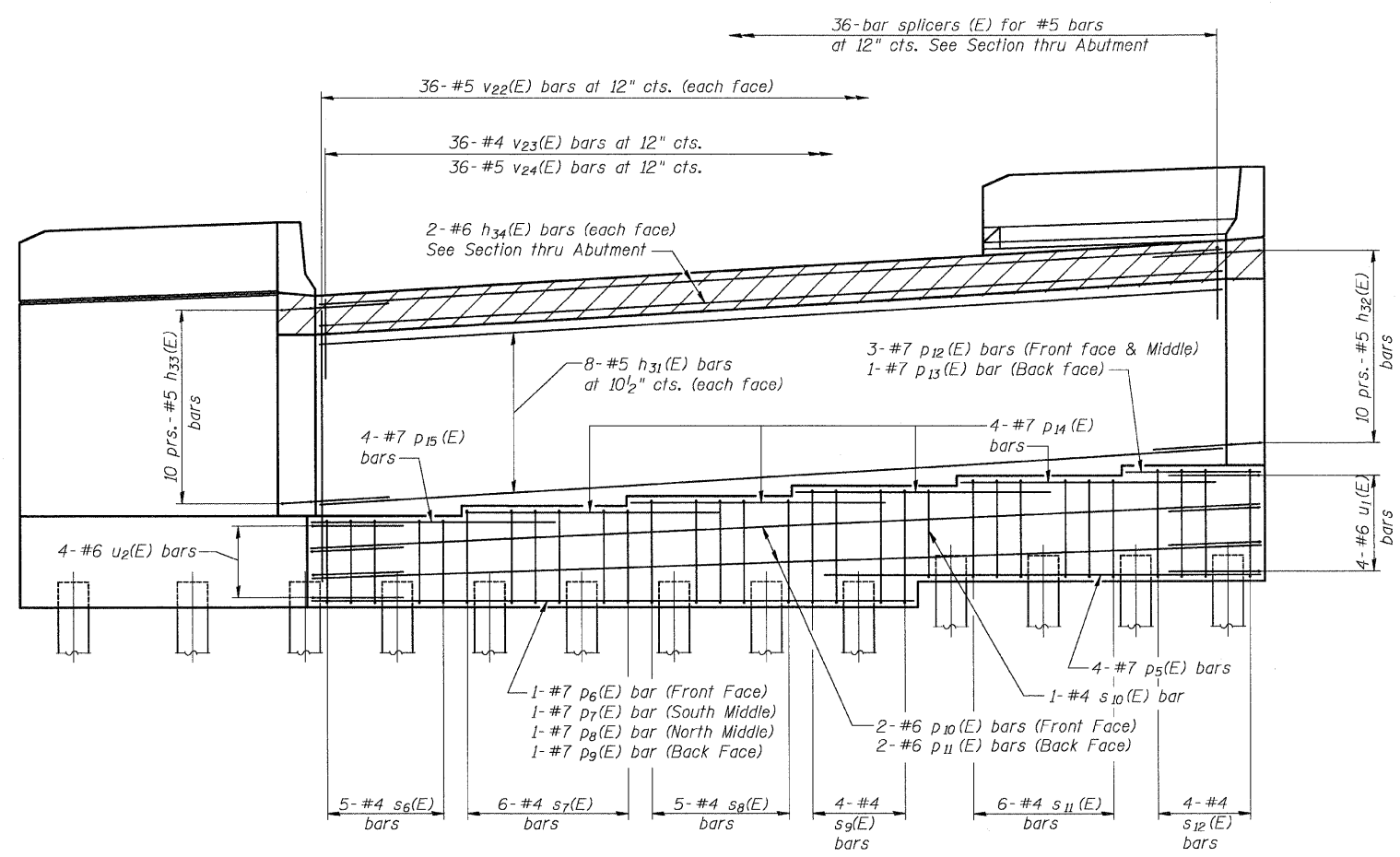
p:\00f\1es\000024\cf\gover-bridge\plans\0600332-northabut.dgn

ROUTE NO.	SECTION	COUNTY	TOTAL SHEETS	SHEET NO.	SHEET NO. 35 47 SHEETS
R. B. I. F. A. P. 31B	*	MADISON	93	57	
FED. ROAD DIST. NO. 7		ILLINOIS	FED. AID PROJECT-		

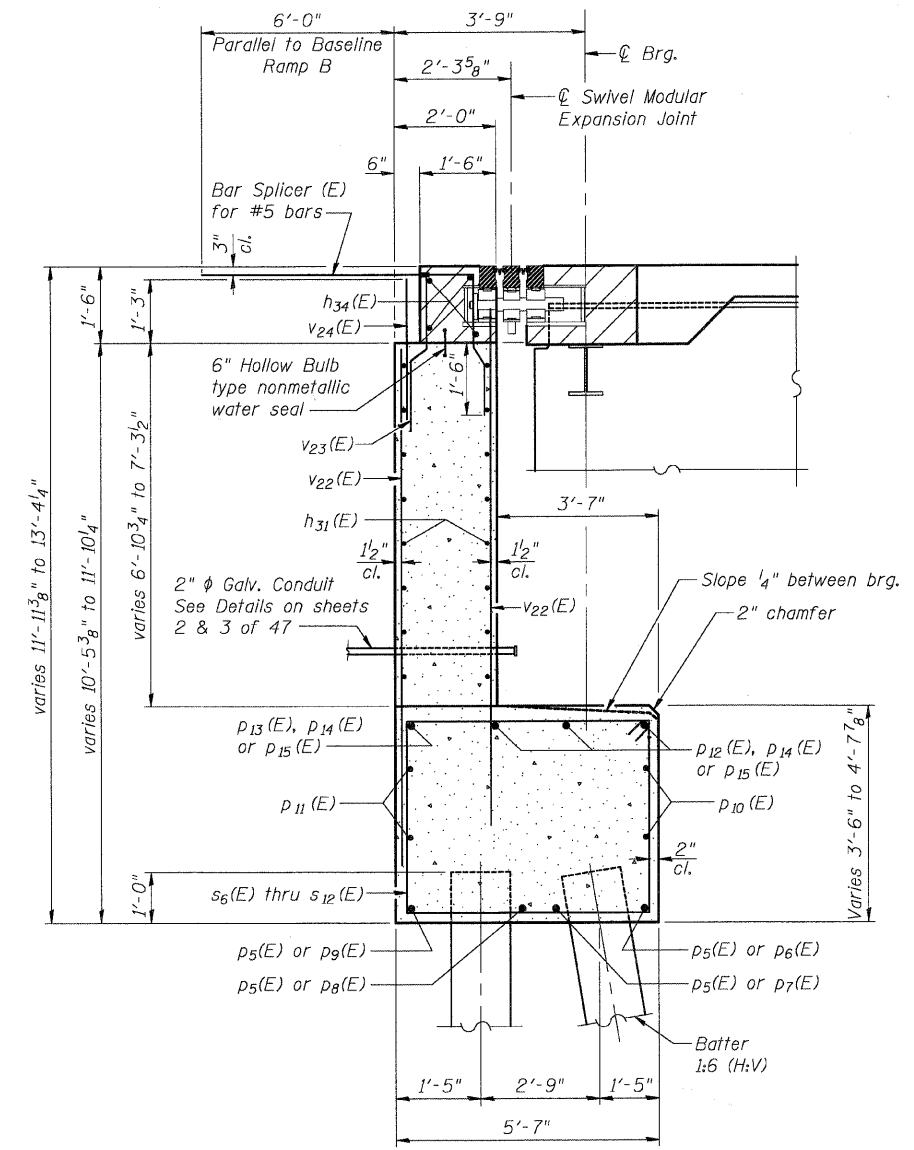
* 60-15HB-3 Contract No. 76706



ELEVATION
(Looking North)
Showing Dimensions



ELEVATION
(Looking North)
Showing Reinforcement



SECTION THRU ABUTMENT
(Dimensions at Rt. L's to Abutment, unless noted)

Notes:
Hatched area to be poured after superstructure forms have been removed. Quantity of concrete included with Concrete Superstructure on sheet #12 of 47.
Reinforcement in cap to miss swivel modular expansion joint.

DESIGNED	ADL
CHECKED	WLW
DRAWN	BGJ
CHECKED	WLW

NORTH ABUTMENT
RAMP B OVER FAP RTE 310
SECTION 60-15HB-3
MADISON COUNTY
STATION 17+72.64 (RAMP B)
SN 060-0332