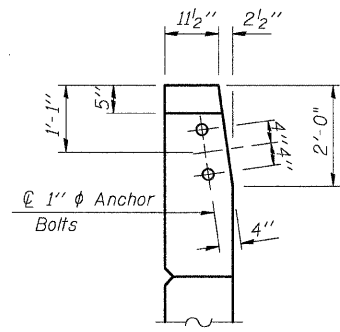


11/10/2008 4:37:22 PM

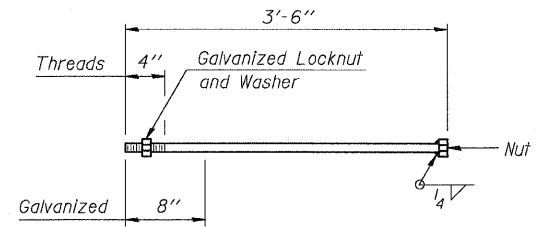
p:\00files\000024\dfljlover-bridge-bridge-plans\0600332nor-thebut.dgn

ROUTE NO.	SECTION	COUNTY	TOTAL SHEETS	SHEET	SHEET NO. 36
F.A.P. 308	*	MADISON	93	58	47 SHEETS
FED. ROAD DIST. NO. 7	ILLINOIS	FED. AID PROJECT-			

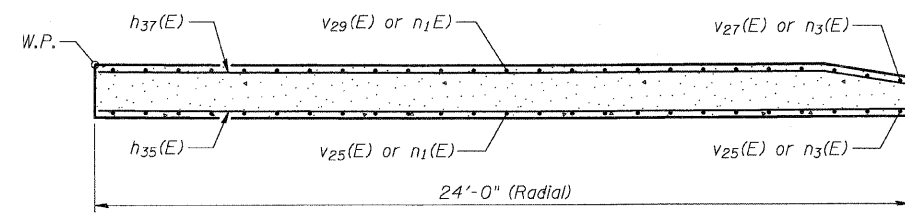
* 60-15HB-3 Contract No. 76706



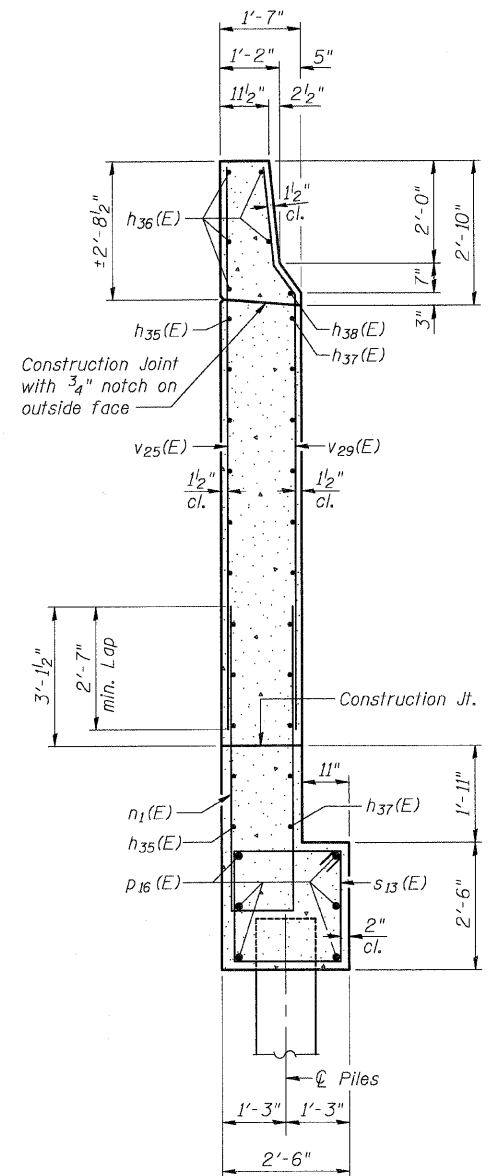
SECTION C-C



1" ϕ ANCHOR BOLT

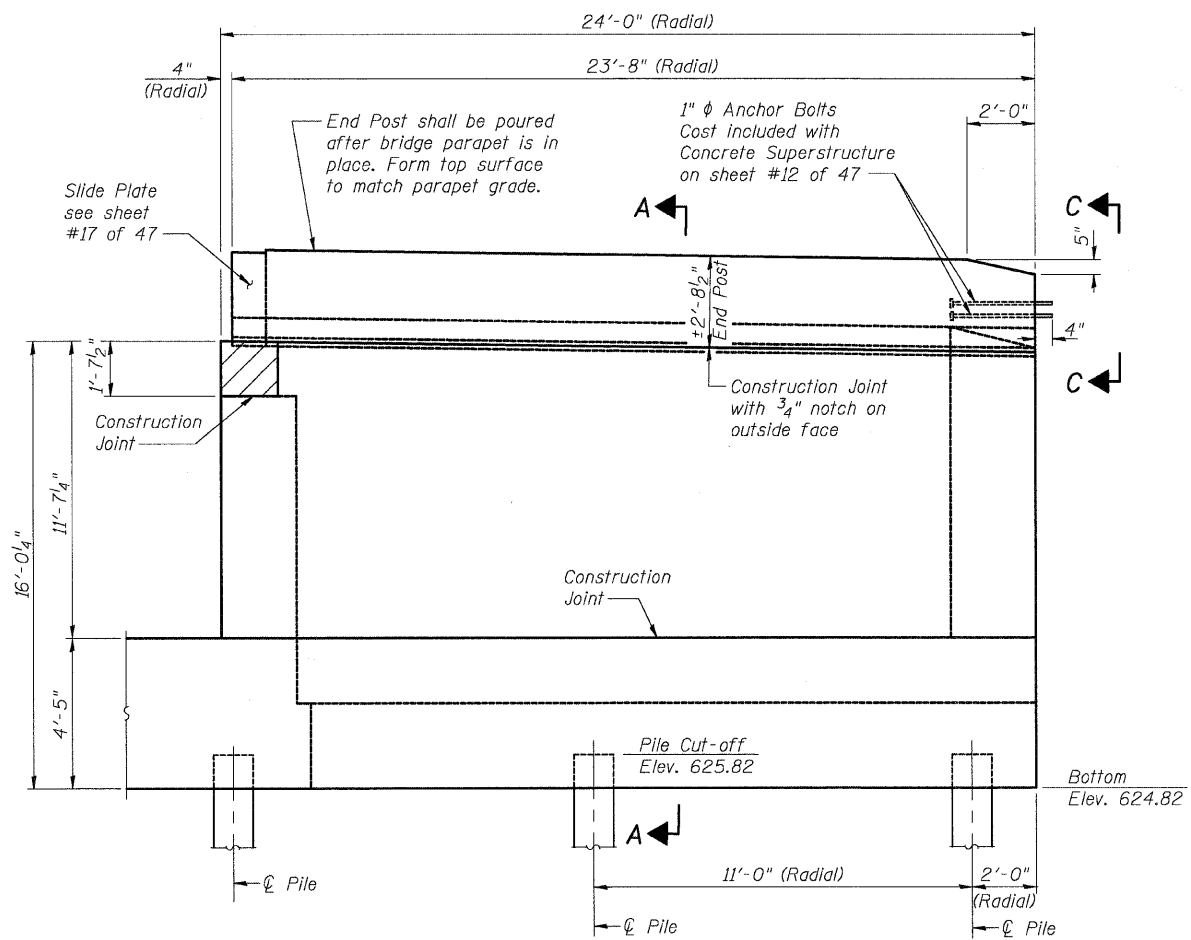


SECTION B-B



SECTION A-A

MIN. BAR LAP
#6 bar - 2'-7"



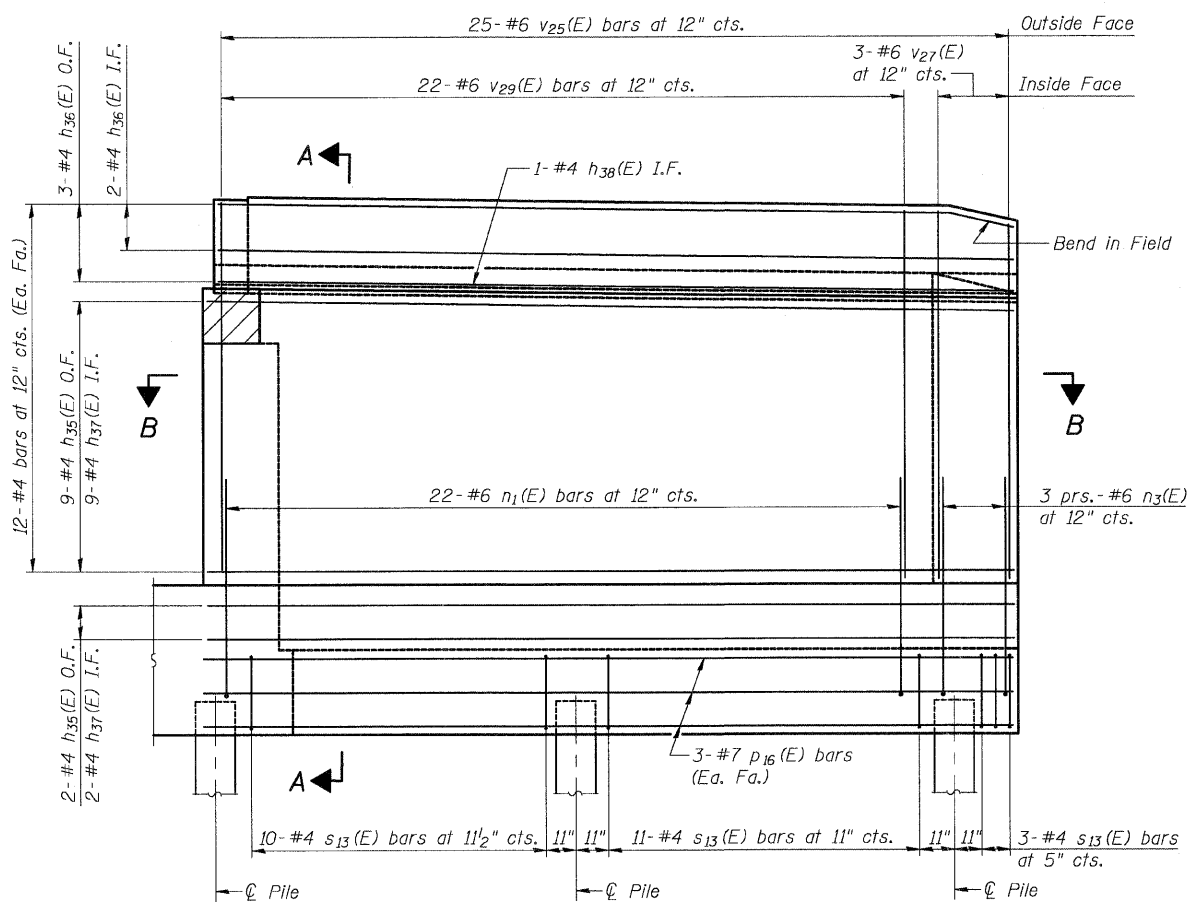
EAST WING WALL ELEVATION

(Looking West)
Showing Dimensions

DESIGNED	ADL
CHECKED	WLW
DRAWN	BGJ
CHECKED	WLW

Notes:

Hatched area to be poured after superstructure forms have been removed. Quantity of concrete included with Concrete Superstructure on sheet #12 of 47.
Quantity of concrete in end post included with Concrete Superstructure on sheet #12 of 47.



EAST WING WALL ELEVATION

(Looking West)
Showing Reinforcement

**NORTH ABUTMENT
RAMP B OVER FAP RTE 310
SECTION 60-15HB-3
MADISON COUNTY
STATION 17+72.64 (RAMP B)
SN 060-0332**