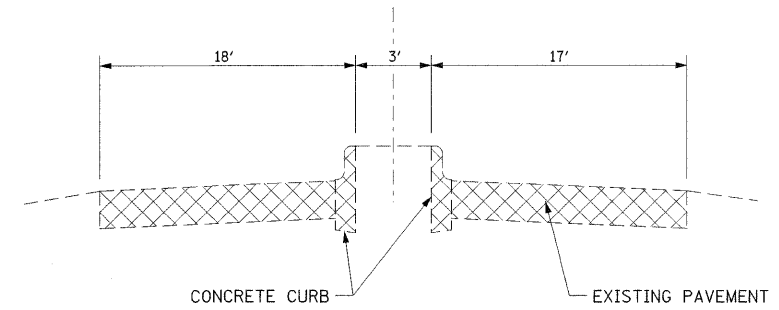
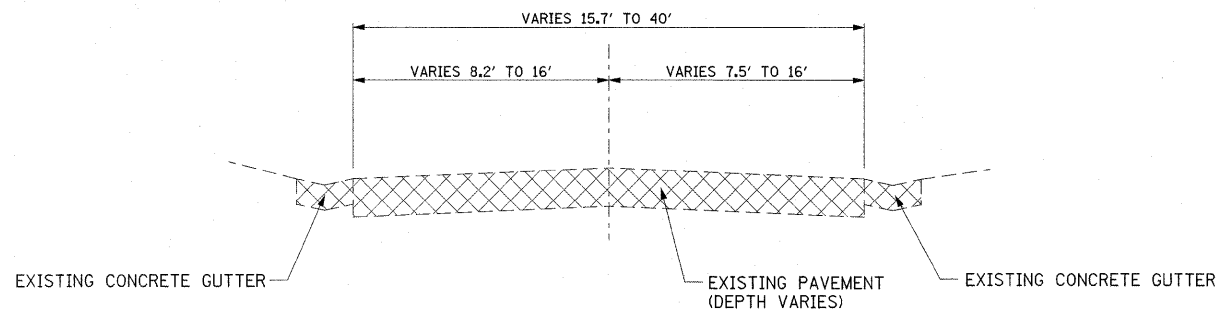


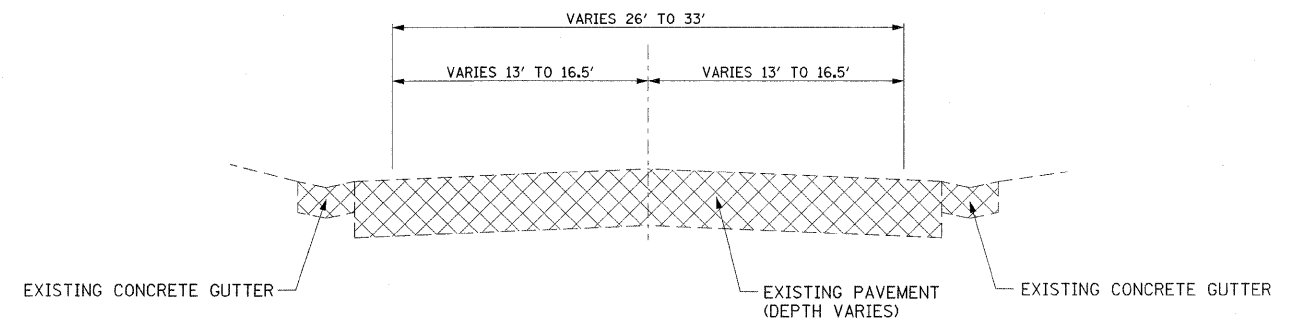
**EXISTING TYPICAL SECTION - IL RTE 159**  
STA 144+68 TO STA 156+02



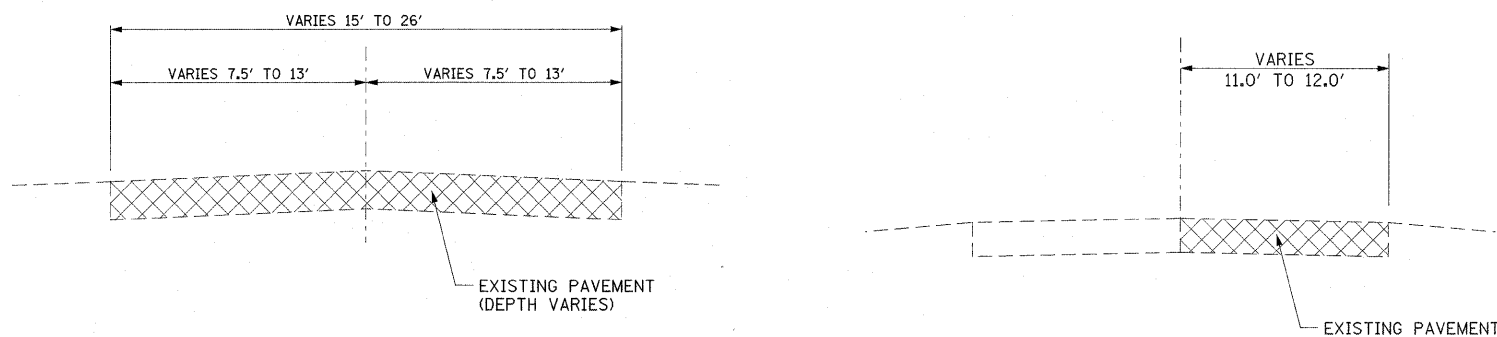
**EXISTING TYPICAL SECTION - SIDEROADS**  
IDLEWOOD DR STA 0+23.92 TO STA 0+66.00 (PAVEMENT DEPTH 9")



**EXISTING TYPICAL SECTION - SIDEROADS**  
CHEROKEE DR STA 0+00.00 TO STA 0+74.00  
IDLEWOOD DR STA 0+66.00 TO STA 1+20.00 (PAVEMENT DEPTH 9")  
RAILROAD AVE  
LOOP ST STA 0+00 TO STA 2+70.00 (PAVEMENT DEPTH 4")  
LOOP ST / S. CHESTNUT ST STA 16+50 TO STA 21+90.00 (PAVEMENT DEPTH 4")

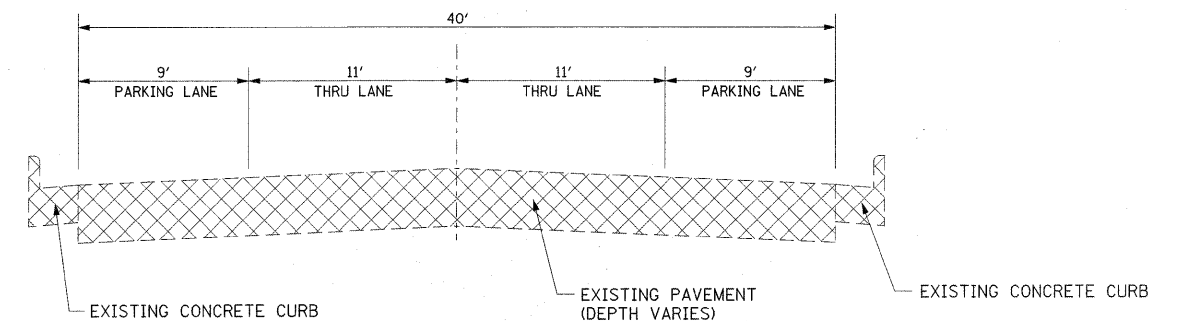


**EXISTING TYPICAL SECTION - SIDEROADS**  
S. CLINTON ST STA 7+26.14 TO STA 12+26.66 (PAVEMENT DEPTH 7")



**EXISTING TYPICAL SECTION - SIDEROADS**  
ANGLE ST  
HILL ST STA 0+00.00 TO STA 0+87.00 (PAVEMENT DEPTH 2")  
ALLEY @ STA 149+27.00 - STA 0+00.00 TO STA 1+60.00 (PAVEMENT DEPTH 1 3/4")  
JIM'S ALLEY STA 0+00.00 TO 1+55.00 (PAVEMENT DEPTH 3 1/4")  
ALLEY @ STA 152+02.58 - STA 10+00.00 TO STA 10+60.00

**EXISTING TYPICAL SECTION - SIDEROADS**  
ALLEY @ STA 156+02.00 - STA 11+20.00 TO STA 12+75.00 (PAVEMENT DEPTH 3")



**EXISTING TYPICAL SECTION - SIDEROADS**  
CHURCH ST STA 27+35.00 TO STA 32+67.00 (PAVEMENT DEPTH 11")

NOTES:  
MILLING ONLY FROM  
STA 27+35 TO STA 28+55 AND  
STA 32+35 TO STA 32+67

- EXISTING MATERIAL TO BE REMOVED

FILE NAME =	USER NAME = default	DESIGNED -	REVISED -	<b>STATE OF ILLINOIS DEPARTMENT OF TRANSPORTATION</b>	<b>EXISTING TYPICAL SECTIONS</b>		F.A.P. RTE.	SECTION	COUNTY	TOTAL SHEETS	SHEET NO.
F:\Projects\513501\CADD\DCN\0876830-shd	typical.dgn	DRAWN -	REVISED -				600	60-(30,31,128)-1	MADISON/ST. CLAIR	399	16
	PLOT SCALE = 50.0000' / IN.	CHECKED -	REVISED -		CONTRACT NO. 76830						
	PLOT DATE = 10/9/2009	DATE -	REVISED -		SCALE: NTS	SHEET NO. 2 OF 11 SHEETS	STA. N/A TO STA. N/A	FED. ROAD DIST NO.	ILLINOIS FED. AID PROJECT		