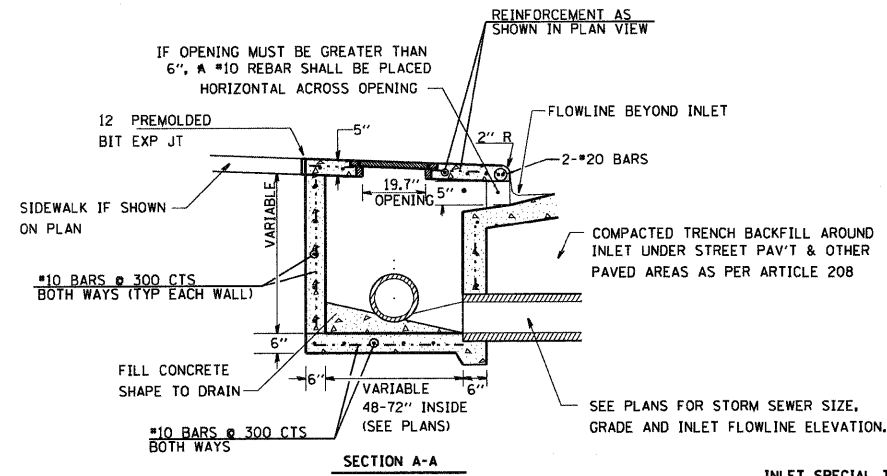
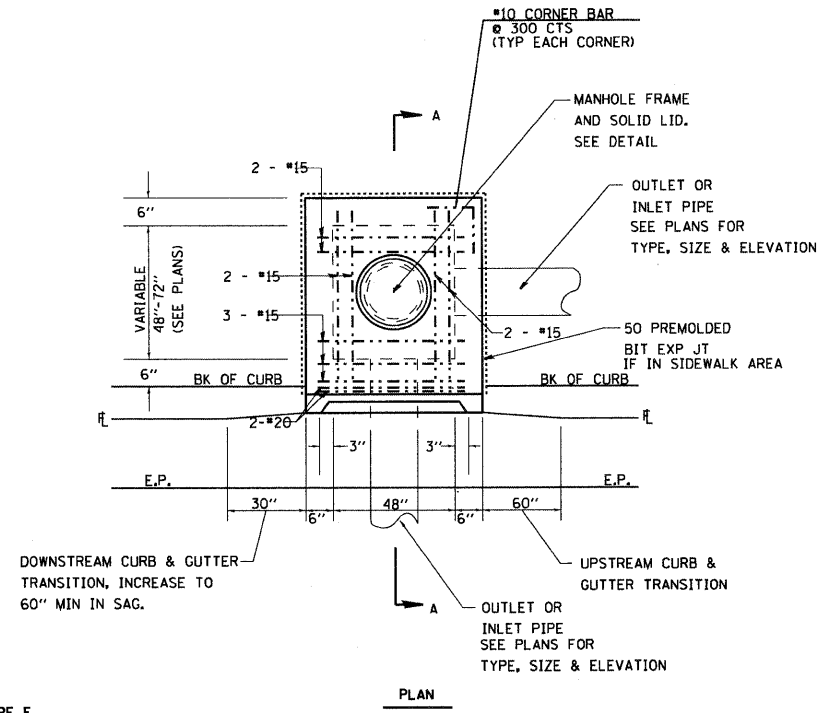


NOTES:

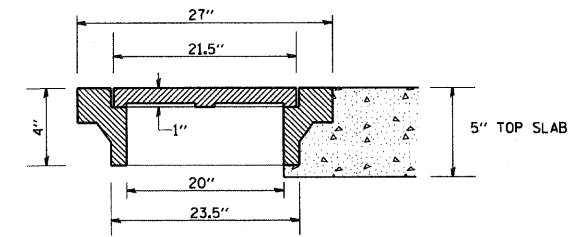
1. THE CONTRACT UNIT PRICE OF EACH FOR INLET, (SPECIAL) TYPE E SHALL INCLUDE ALL LABOR AND MATERIALS NECESSARY TO CONSTRUCT THE INLET IN ACCORDANCE WITH ARTICLE 602 OF THE STANDARD SPECIFICATIONS AND AS SHOWN HEREIN.
2. CLASS SI CONCRETE SHALL BE USED THROUGHOUT.
3. THE FRONT EDGE OF THE TOP SLAB SHALL BE EITHER STRAIGHT OR RADIUS AS NEEDED TO CONFORM WITH THE SHAPE OF THE ADJACENT CURB AND GUTTER.



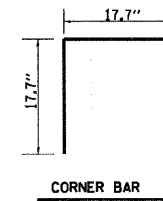
INLET SPECIAL TYPE E



PLAN

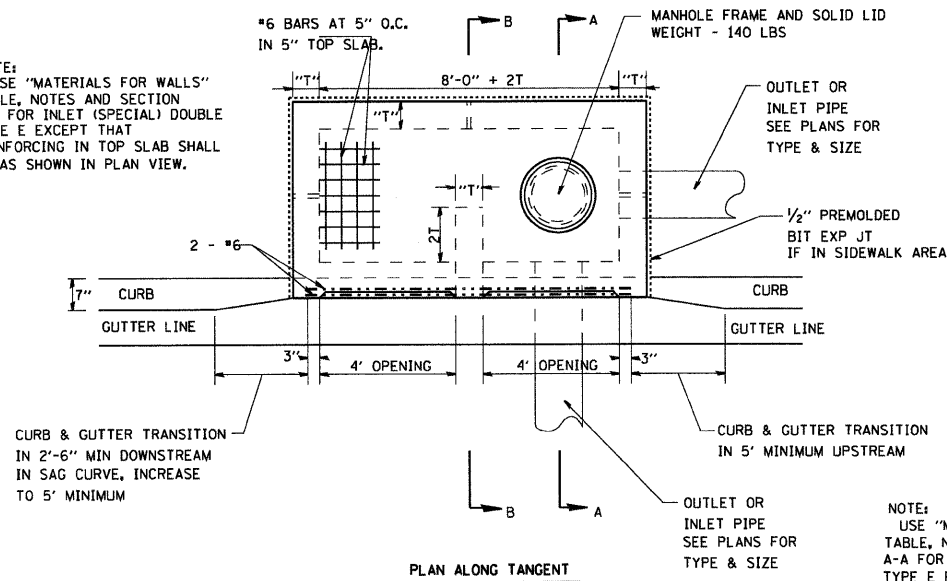


TYPICAL DETAIL OF
MANHOLE FRAME AND SOLID LID
NEENAH R-6020 OR APPROVED EQUAL

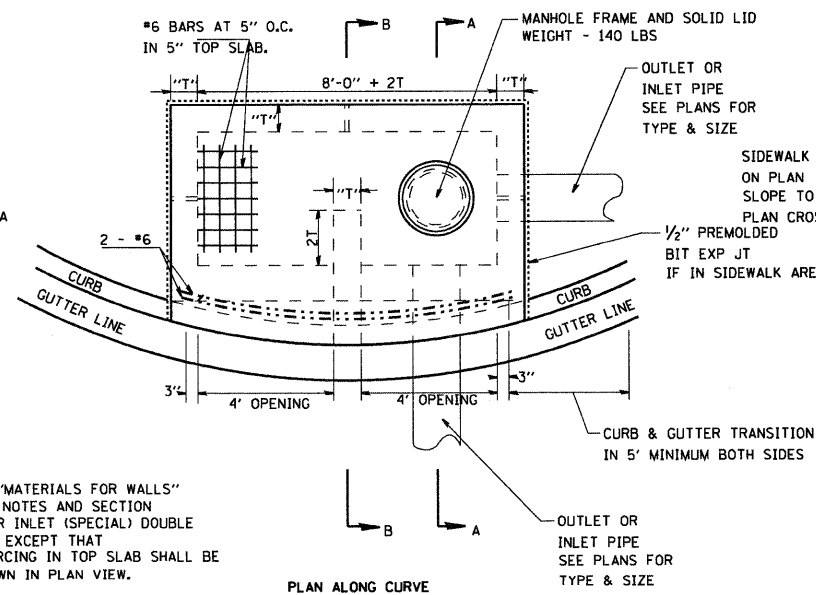


CORNER BAR

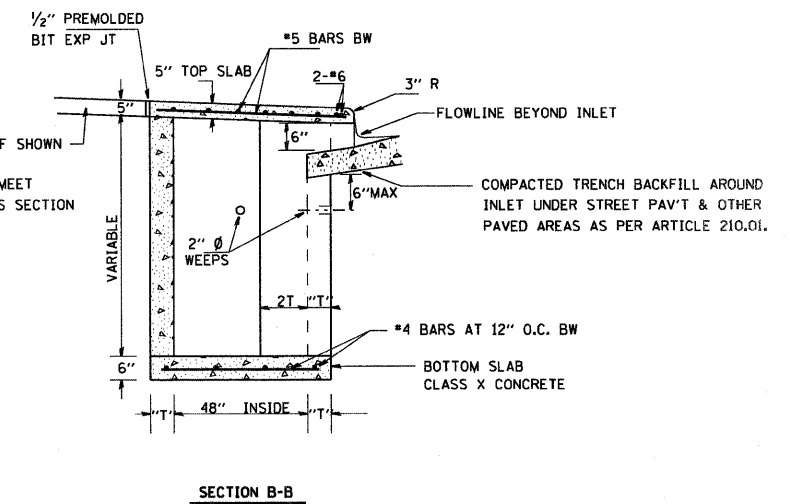
NOTE:
USE "MATERIALS FOR WALLS"
TABLE, NOTES AND SECTION
A-A FOR INLET (SPECIAL) DOUBLE
TYPE E EXCEPT THAT
REINFORCING IN TOP SLAB SHALL
BE AS SHOWN IN PLAN VIEW.



PLAN ALONG TANGENT



PLAN ALONG CURVE



SECTION B-B

- FOR 1, 2 & 3, SEE ABOVE
4. BRICKS, CONCRETE BLOCKS AND REINFORCED CONCRETE BLOCKS TO BE LAID IN FULL MORTAR BEDS WITH FLUSH JOINTS.
5. WHEN CONSTRUCTED OF MONOLITHIC CONCRETE, USE #4 REINFORCING BARS SPACED AT 12" CENTERS BOTH WAYS IN FLOOR SLAB AND WALLS.
6. FOR SECTION A-A, SEE ABOVE

INLET SPECIAL DOUBLE TYPE E

FILE NAME =	USER NAME = default	DESIGNED -	REVISED -	STATE OF ILLINOIS DEPARTMENT OF TRANSPORTATION	SPECIAL INLET TYPE E DETAILS	F.A.P. RTE.	SECTION	COUNTY	TOTAL SHEETS	SHEET NO.
pa\projects\513581\cadd\vg\0878838-sh-drawn-details.dgn	DRAWN -	REVISED -	600			60-(30,31,128)-1	WABSON/ST. CLAIR	399	135	
PLOT SCALE = 20.0000' / IN.	CHECKED -	REVISED -	CONTRACT NO. 76830							
PLOT DATE = 8/25/2009	DATE -	REVISED -	ILLINOIS FED. AID PROJECT							
SCALE: SHEET NO. 2 OF 4 SHEETS STA. TO STA.										