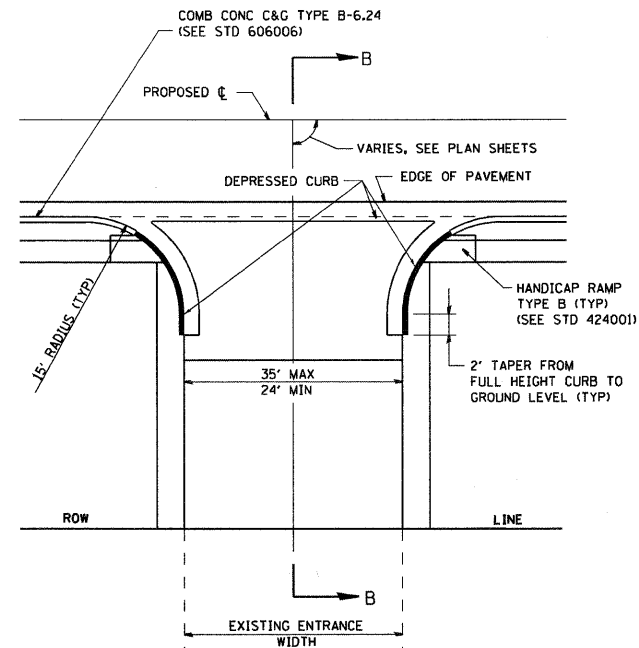
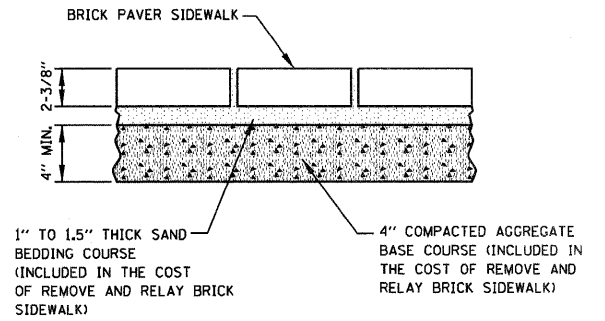


PE DETAIL A
PRIVATE ENTRANCE WITH PCC SIDEWALK ADJACENT TO ROADWAY PAVEMENT WITH CONCRETE CURB & GUTTER TYPE B-6.24

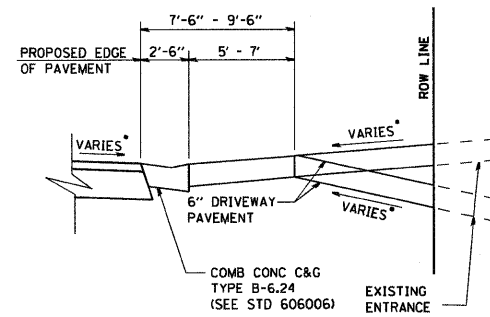


CE DETAIL B
COMMERCIAL ENTRANCE WITH PCC SIDEWALK ADJACENT TO ROADWAY PAVEMENT WITH CONCRETE CURB & GUTTER TYPE B-6.24



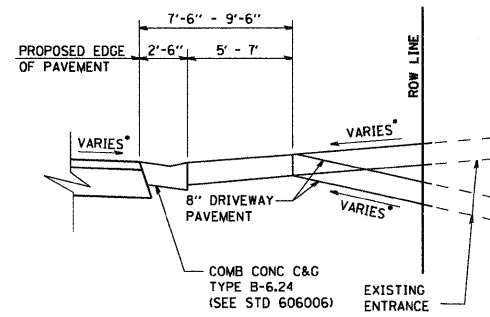
NOTE:
THE COST OF INSTALLING THE SALVAGED BRICK PAVERS ON THE SAND BEDDING COURSE AND AGGREGATE BASE COURSE SHALL BE INCLUDED IN THE COST OF REMOVE AND RELAY BRICK SIDEWALK.

BRICK SIDEWALK DETAIL
WITH COMPACTED AGGREGATE BASE



SECTION A-A

• SEE CROSS SECTIONS FOR SLOPE
SEE PLANS FOR EXISTING SURFACE TYPE



SECTION B-B

• SEE CROSS SECTIONS FOR SLOPE
SEE PLANS FOR EXISTING SURFACE TYPE

NOTE: ALL NON-TYPICAL RADII ARE SHOWN ON PLAN SHEETS

TYPE OF ENTRANCE	EXISTING MATERIAL	NEW ENTRANCE MATERIAL (BEYOND RADIUS RETURNS OR TAPERS)				
		PCC DRIVEWAY PAVEMENT (6")	PCC DRIVEWAY PAVEMENT (8")	INCIDENTAL HMA SURFACING (1 1/2")	AGGREGATE BASE COURSE TYPE B (2")	AGGREGATE SURFACE COURSE TYPE B (2")
PRIVATE	CONCRETE	X			X	
	BITUMINOUS			X		
	AGGREGATE					X
COMMERCIAL	CONCRETE		X			
	BITUMINOUS		X			
	AGGREGATE		X			